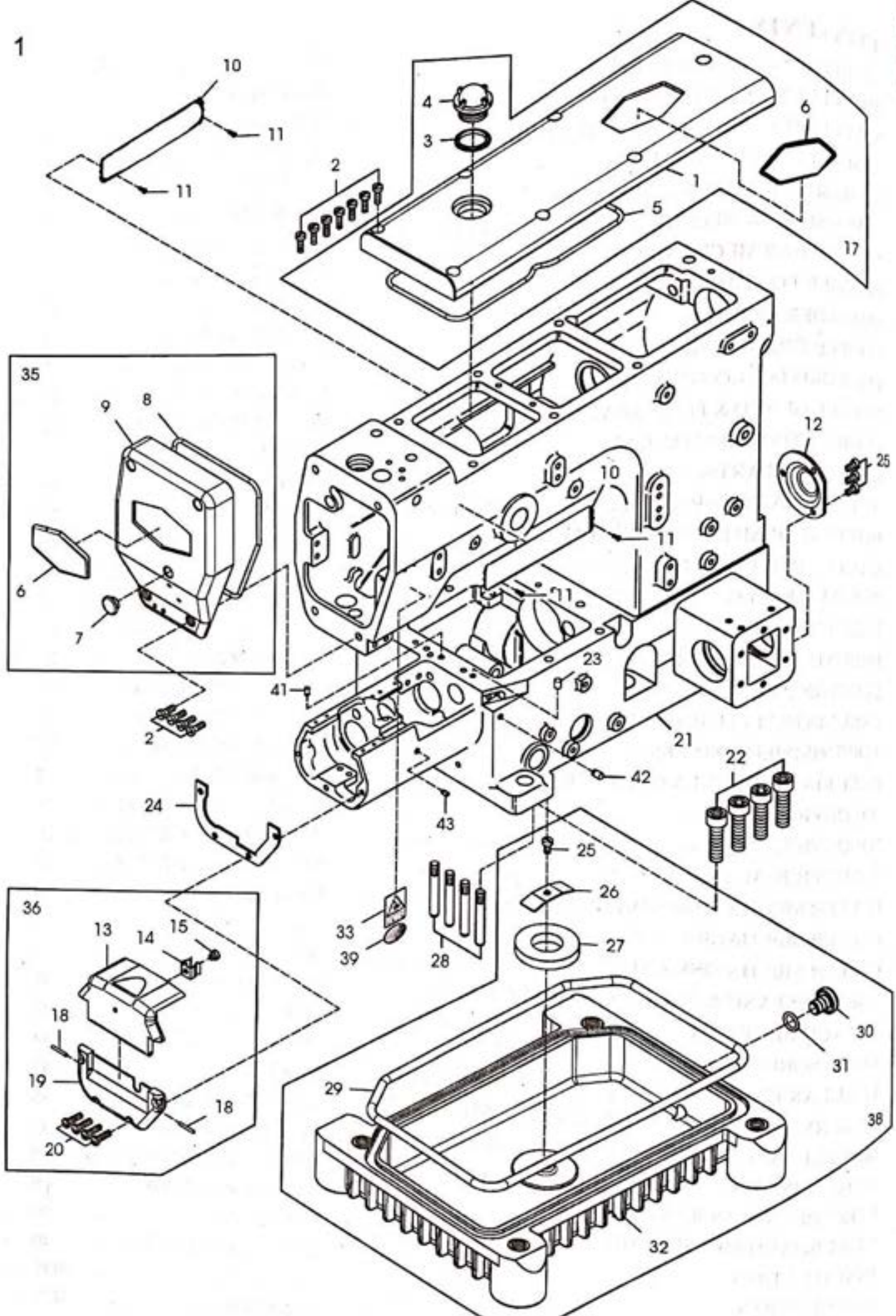


零件手冊

Spare Paets Book

1



MISCELLANEOUS COVERS (1)

Ref. No.	Parts No.	Description	機殼機構 (1) 品 名	1 Amt. Req.
1	07870101	Top Cover.....	上蓋.....	1
2	07870102	Screw(M4-0.7×12).....	螺絲.....	11
3	07870103	Oil Sight Seal.....	上油鏡油封.....	1
4	07870104	Oil Sight Window.....	上油鏡.....	1
5	07870105	Top Cover Gasket.....	上蓋墊片.....	1
6	07870106	Emblem.....	銘牌.....	2
7	07870107	Seal Plug.....	止油膠塞.....	1
8	07870108	Head Cover Gasket.....	上側蓋墊片.....	1
9	07870109	Head Cover.....	上側蓋.....	1
10	07870110	Brand Name Plate.....	公司名牌.....	2
11	07870111	Rivet.....	鉚釘.....	4
12	07870112	Looper Thread Take-up Shaft Cover.....	底線分線盤傳動軸護蓋.....	1
13	07870113	Cylinder Side Cover (Upper).....	圓筒上側蓋.....	1
14	07870114	Cover Latch Spring.....	鎖門彈簧.....	1
15	07870115	Screw (M4-0.7×4).....	螺絲.....	1
17	07870117	Top Cover C.Set (Upper).....	上蓋組件.....	1
18	07870118	Side Cover Hinge Pin.....	側蓋樞紐插銷.....	2
19	07870119	Cylinder Side Cover Hinge.....	圓筒側蓋樞紐.....	1
20	07870120	Screw (M4-0.7×12).....	螺絲.....	4
21	07870121	Machine Frame Unit.....	機殼.....	1
22	07870122	Screw (M8-1.25×20).....	螺絲.....	4
23	07870123	Plug.....	止油塞(塑鋼).....	1
24	07870124	Gasket.....	止油墊.....	1
25	07870125	Screw (M4-0.7×8).....	螺絲.....	4
26	07870126	Magnet Holder.....	磁鐵固定壓板.....	1
27	07870127	Magnet.....	磁鐵.....	1
28	07870128	Machine Frame Supporting Bar.....	機體支柱.....	4
29	07870129	Oil Reservoir Gasket.....	油槽止油膠墊.....	1
30	07870130	Screw (3/8-24×11.5).....	螺絲.....	1
31	07870131	Drain Hole Seal.....	排油螺絲油封.....	1
32	07870132	Oil Reservoir.....	油槽.....	1
33	07870133	Warning Sticker(Triangle).....	警告貼紙(三角形).....	1
35	07870135	Head Cover C.Set (Upper).....	上側蓋組件.....	1
36	07870136	Cylinder Side Cover C.Set(Upper).....	圓筒上側蓋組件.....	1
38	07870138	Oil Reservoir C.Set.....	油槽組件.....	1
39	07870139	Warning Sticker(Circle).....	警告貼紙(圓形).....	1
41	07870141	Plug.....	止油塞(塑鋼).....	1
42	07870142	Plug.....	止油塞(鋁).....	1
43	07870143	Plug.....	止油塞(鋁).....	1

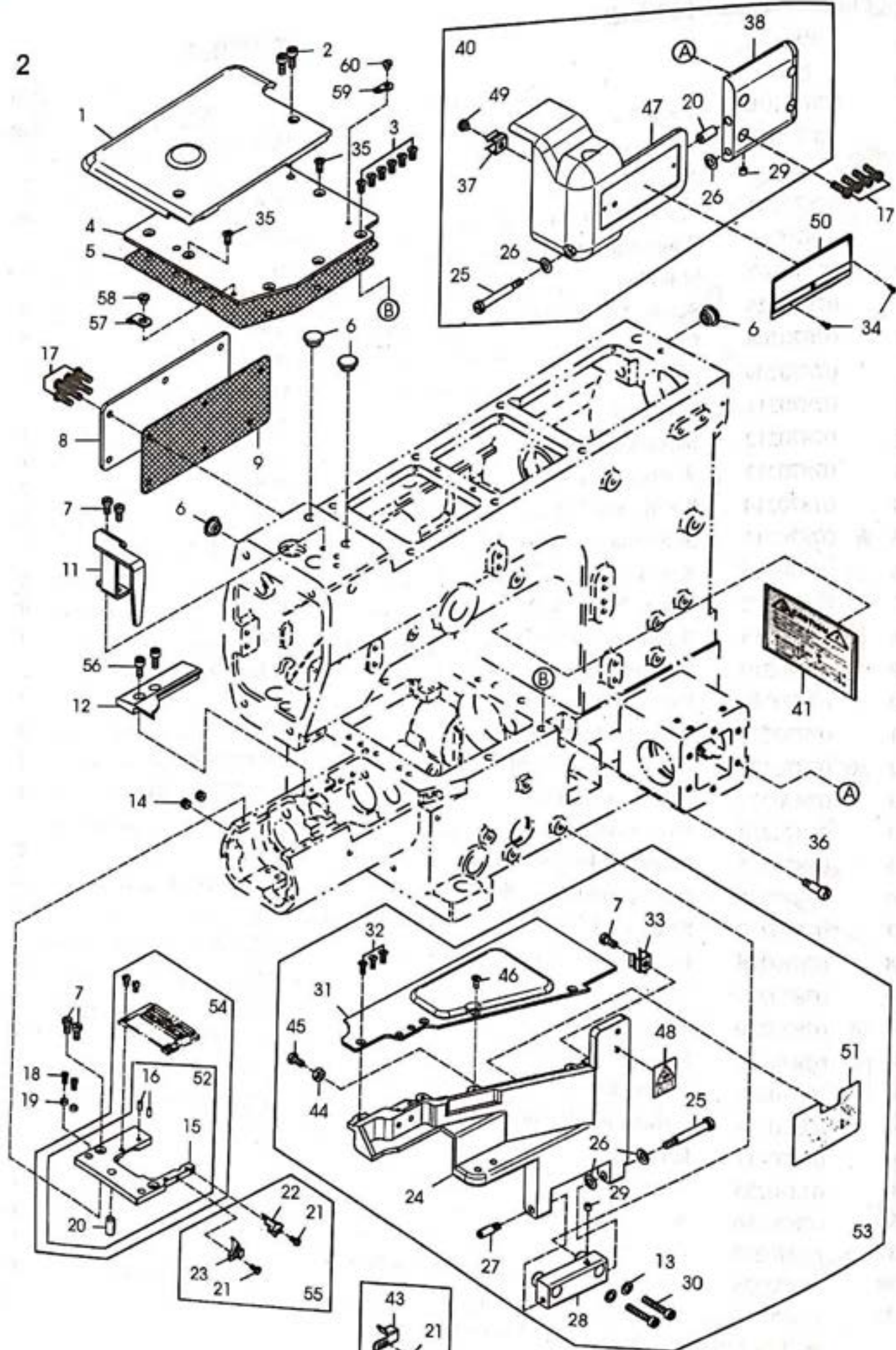
MISCELLANEOUS COVERS (2)

機殼機構 (2)

Ref. No.	Parts No.	Description	品名	Amt. Req.
1	07870201	Cloth Plate (Large).....	縫製平台.....	1
2	07870202	Screw (M4-0.7×10).....	螺絲.....	2
3	07870203	Screw (M4-0.7×7).....	螺絲.....	6
4	07870204	Crank Chamber Cover.....	曲軸室上蓋.....	1
5	07870205	Crank Chamber Cover Gasket.....	曲軸室墊片.....	1
6	07870107	Seal Plug.....	止油膠塞.....	4
7	07870125	Screw (M4-0.7×8).....	螺絲.....	5
8	07870208	Rear Cover.....	後蓋.....	1
9	07870209	Rear Cover Gasket.....	後蓋墊片.....	1
11	07870211	Needle Bar Guard.....	針柱護架.....	1
12	07870212	Supplementary Slide Cover.....	滑件補助蓋.....	1
13	07870213	Washer.....	墊片.....	2
14	07870214	Screw (M6-1×4).....	螺絲.....	2
15	★ 07870215	Stitch Plate Support.....	針板支架.....	1
16	07870216	Knock Pin.....	頂出銷.....	2
17	07870102	Screw (M4-0.7×12).....	螺絲.....	10
18	07870218	Screw (M3-0.5×6.5).....	螺絲.....	2
19	07870219	Positioning Bushing.....	定位襯套.....	2
20	07870220	Knock Pin.....	頂出銷.....	2
21	07870221	Screw (M2.6-0.45×5).....	螺絲.....	3
22	07870222	Fabric Guide (Right).....	倒骨布導器 (右).....	1
23	07870223	Fabric Guide (Left).....	倒骨布導器 (左).....	1
24	07870224	Front Cover (Lower).....	前蓋底座.....	1
25	07870225	Screw (M4-0.7×8).....	螺絲.....	2
26	07870226	Conical Spring Washer.....	錐形彈簧墊圈.....	4
27	07870227	Screw (M4-0.7×13).....	螺絲.....	1
28	07870228	Front Cover Hinge.....	前蓋鉸鏈.....	1
29	07870229	Screw (M4-0.7×4).....	螺絲.....	2
30	07870230	Screw (M4-0.7×22).....	螺絲.....	2
31	07870231	Front Cover (Upper).....	前蓋頂座.....	1
32	07870232	Screw (M3-0.5×6).....	螺絲.....	3
33	07870114	Cover Latch Spring.....	鎖門彈簧.....	1
34	07870111	Rivet.....	铆釘.....	2
35	07870235	Screw (M4-0.7×8).....	螺絲.....	2
36	07870236	Screw (M4-0.7×5).....	螺絲.....	1
37	07870237	Cover Latch Spring.....	鎖門彈簧.....	1
38	07870238	Looper Thread Take-Up Driving Chamber Cover....	底線分線盤驅動室蓋.....	1
40	07870240	Looper Thread Take Up Cover C.Set.....	底線分線盤凸輪蓋組.....	1

★ 請參照附件一、附件二【標準規格件】

2

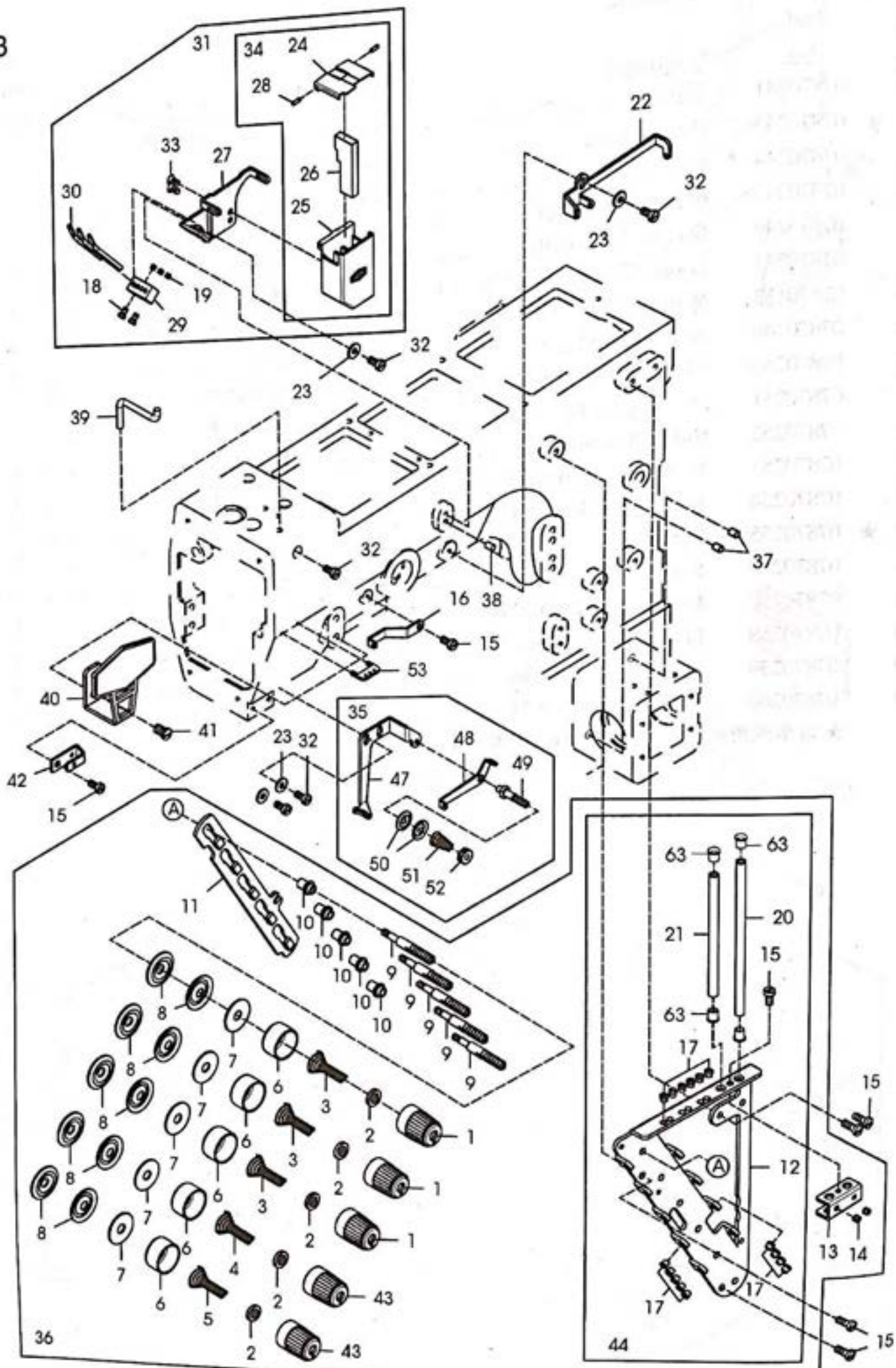


MISCELLANEOUS COVERS (2)

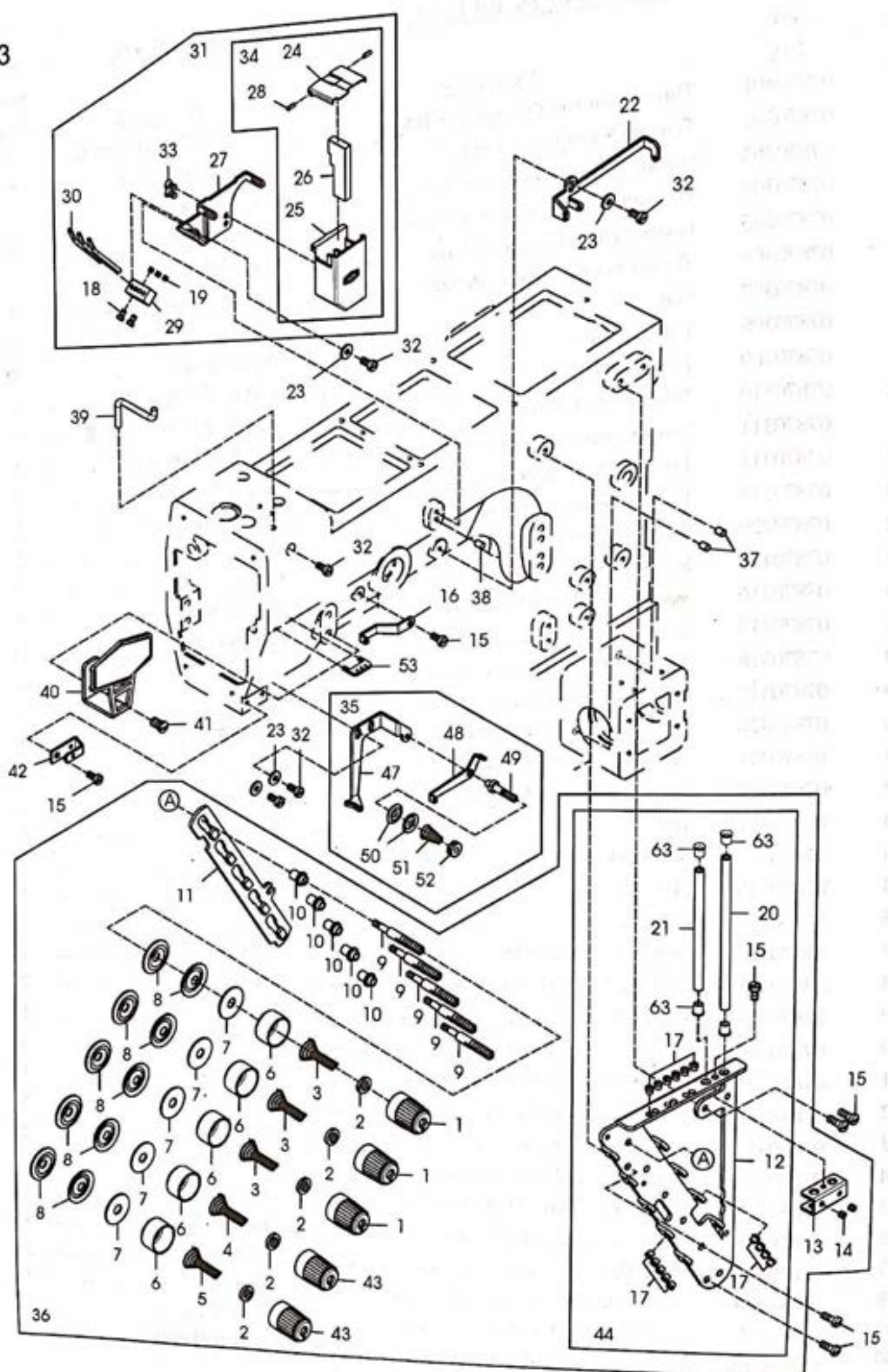
機殼機構 (2)

Ref. No.	Parts No.	Description	品名	Amt. Req.
41	07870241	Warning Sticker(Tetraon).....	警告貼紙(四角形).....	1
43	★ 07870243	Fabric Guide.....	擋邊.....	1
44	07870244	Nut.....	螺帽.....	1
45	07870245	Screw(M4-0.7×8).....	螺絲.....	1
46	07870246	Screw(M3-0.5×5).....	螺絲.....	1
47	07870247	Looper Thread Take-Up Cover.....	底線分線盤凸輪蓋.....	1
48	07870133	Warning Sticker(Triangle).....	警告貼紙(三角形).....	1
49	07870249	Screw(M4-0.7×3.5).....	螺絲.....	1
50	07870250	Model Plate(see the below).....	型號銘牌.....	1
51	07870251	Warning Sticker.....	警告標籤.....	1
52	07870252	Stitch Plate Support.....	針板支架.....	1
53	07870253	Front Cover (Lower) C.Set.....	前蓋底座組.....	1
54	07870254	Stitch Plate Support C.Set.....	針板支架組.....	1
55	★ 07870255	Fabric Guide C.Set.....	倒骨布導器組.....	1
56	07870256	Screw(M4-0.7×8).....	螺絲.....	2
57	07870257	Lower Knife Carrier Guide.....	下切刀托架導引片.....	1
58	07870258	Screw(M4-0.7×4).....	螺絲.....	1
59	07870259	Looper Thread Eyelet.....	底線穿線孔.....	1
60	07870260	Screw (M3-0.5×3.3).....	螺絲.....	1

★ 請參照附件一、附件二【標準規格件】



Ref. No.	Parts No.	Description	品名	Amt. Req.
1	07870301	Thread Tension Spring Cap(Blue).....	上線張力彈簧調整鈕(藍)....	3
2	07870302	Tension Spring Disc Support.....	張力彈簧調整圓盤.....	5
3	07870303	Needle Thread Tension Spring.....	針線張力彈簧.....	3
4	07870304	Top Cover Thread Tension Spring.....	上飾線張力彈簧.....	1
5	07870305	Looper Thread Tension Spring.....	下勾針張力彈簧.....	1
6	07870306	Thread Tension Spring Retainer.....	上線張力彈簧固定座.....	5
7	07870307	Felt.....	氈墊.....	5
8	07870308	Tension Disc.....	張力調整盤.....	10
9	07870309	Tension Post.....	上線張力彈簧支柱.....	5
10	07870310	Tension Post Ferrule.....	上線張力彈簧支柱套圈.....	5
11	07870311	Tension Disc Separator.....	上線張力圓盤分離器.....	1
12	07870312	Tension Post Support.....	上線張力組支柱座.....	1
13	07870313	Thread Eyelet Pipe Stay.....	過線導管固定座.....	1
14	07870229	Screw (M4-0.7x4).....	螺絲.....	2
15	07870125	Screw (M4-0.7x8).....	螺絲.....	7
16	07870316	Top Cover Thread Eyelet (Left).....	上飾線過線桿(左).....	1
17	07870317	Thread Eyelet.....	陶瓷過線孔.....	15
18	07870318	Screw (1/8-44x5).....	螺絲.....	2
19	07870319	Screw (1/8-44x3).....	螺絲.....	3
20	07870320	Thread Eyelet Pipe (Long).....	過線導管(長).....	1
21	07870321	Thread Eyelet Pipe (Short).....	過線導管(短).....	1
22	07870322	Top Cover Thread Eyelet (Right).....	上飾線過線桿(右).....	1
23	07870323	Washer.....	墊片.....	4
24	07870324	SP Container Cover.....	矽油槽蓋.....	1
25	07870325	SP Container.....	矽油儲存槽.....	1
26	07870326	Felt.....	吸油氈.....	1
27	07870327	Needle Thread Eyelet.....	針線過線架.....	1
28	07870328	SP Container Cover Pin.....	矽油槽蓋固定插銷.....	2
29	07870329	Thread Eyelet Support.....	過線桿固定座.....	1
30	07870330	Thread Eyelet (Front).....	過線桿.....	3
31	07870331	SP Device, Complete Set.....	針線矽油組.....	1
32	07870102	Screw (M4-0.7x8).....	螺絲.....	5
33	07870333	Screw (9/64-40x7).....	螺絲.....	2
34	07870334	SP Container C.Set.....	矽油儲存槽組件.....	1
35	07870335	Top Cover Tharead Guide.....	上飾組板組件.....	1
36	07870336	Tension Post Support C.Set.....	上線張力支柱座組件.....	1
37	07870337	Guide Pin.....	固定插銷.....	2
38	07870338	Guide Pin.....	固定插銷.....	1
39	07870339	Needle Thread Guide.....	針線導架.....	1
40	07870340	Needle Thread Take-up Guard.....	針線提線桿護架.....	1



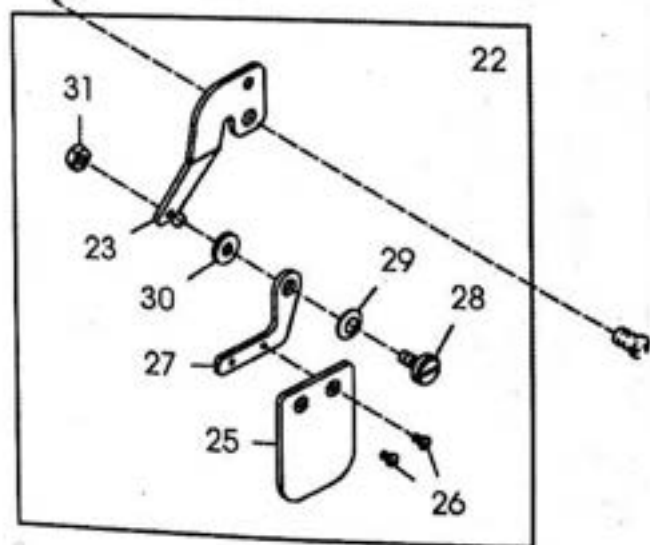
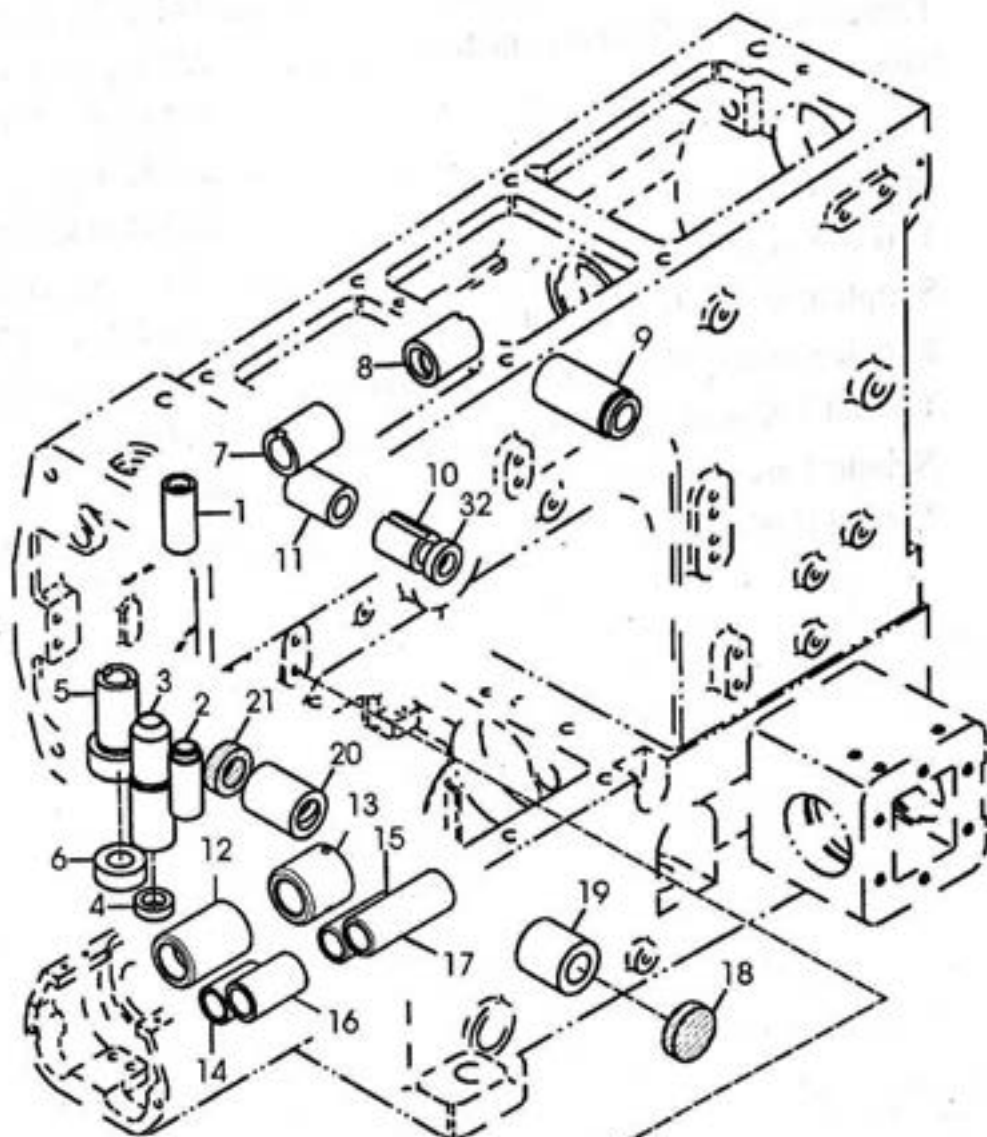
MISCELLANEOUS THREAD EYELETS-3NEEDLE

過線機構-三針五線

3

Ref. No.	Parts No.	Description	品名	Amt. Req.
41	07870341	Screw (M6-1×10).....	螺絲.....	1
42	07870342	Needle Thread Retainer Support.....	針線張力調整組固定座(小).....	1
43	07870343	Thread Tension Spring Cap(Red).....	上線張力彈簧調整鈕(紅).....	2
44	07870344	Tension Post Support.....	上線張力支柱座.....	1
47	07870347	Top Cover Thread Guide.....	上飾線導板.....	1
48	07870348	Supplementary Thread Guide.....	上飾線輔助導板.....	1
49	07870349	Tension Post	上飾線張力調整組支柱.....	1
50	07870350	Supplementary Tension Disc.....	上飾線張力調整盤.....	2
51	07870351	Supplementary Tension Spring.....	上飾線張力調整彈簧.....	1
52	07870352	Thread Tension Spring Cap.....	鬆緊調鈕.....	1
53	07870353	Needle Thread Eyelet.....	過線導片.....	1
63	07400383	Thread Eyelet.....	過線陶瓷(深灰).....	4

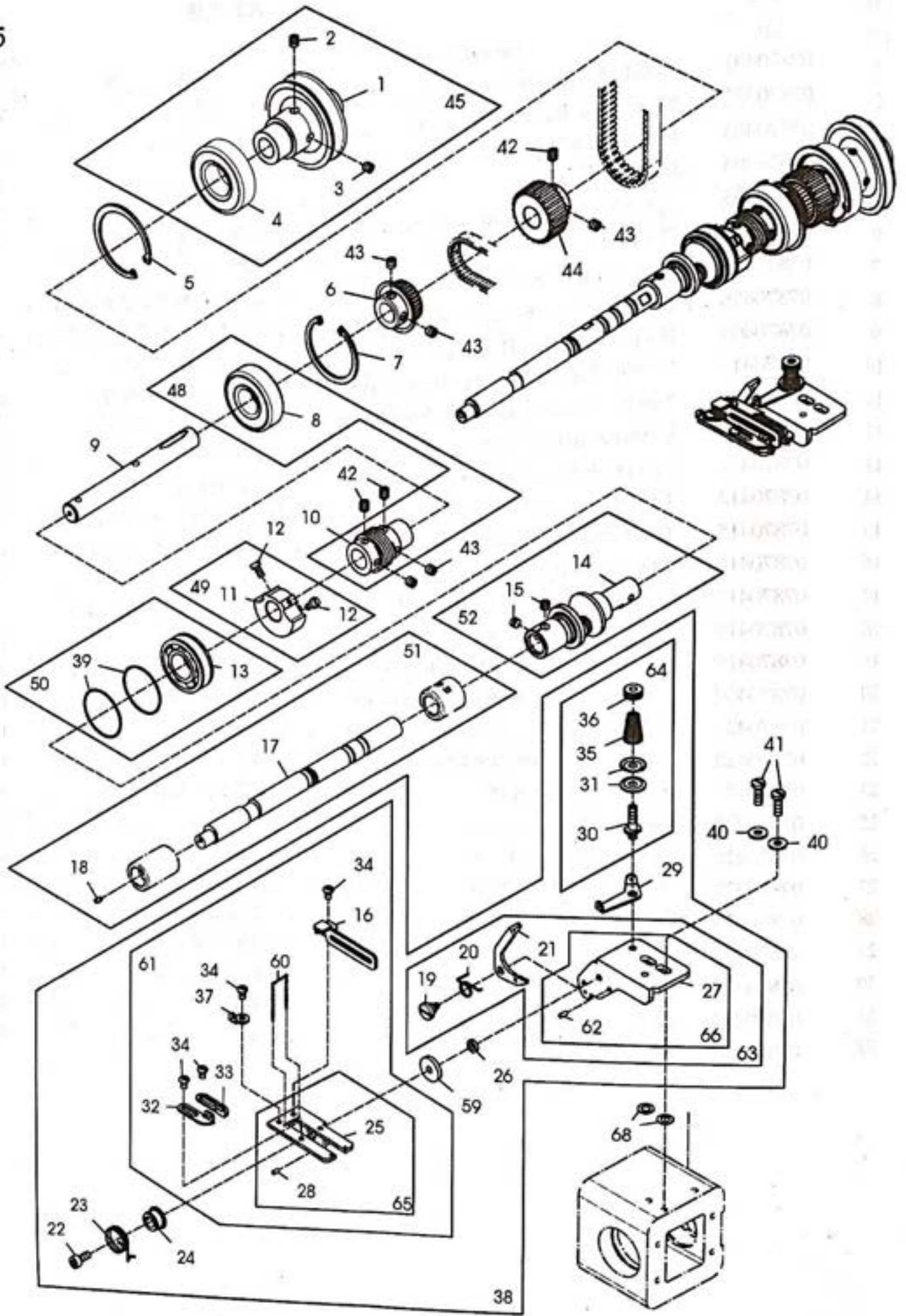




MISCELLANEOUS BUSHINGS

套管機構

Ref. No.	Parts No.	Description	品名	Amt. Req.
1	07870401	Needle Bar Bushing (Upper).....	針柱套管(上).....	1
2	07870402	Needle Bar Bushing (Lower).....	針柱套管(下).....	1
3	07870403	Presser Bar Bushing.....	壓腳套管.....	1
4	07870404	Oil Seal.....	油封.....	1
5	07870405	Spreader Driving Bar Bushing.....	上飾線打線器套管.....	1
6	07870406	Oil Seal.....	油封.....	1
7	07870407	Spreader Driving Shaft Bushing (Left).....	上飾線打線器傳動軸套管(左)	1
8	07870408	Spreader Driving Shaft Bushing (Right).....	上飾線打線器傳動軸套管(右)	1
9	07870409	Foot Lifter Lever Bushing	抬壓腳連桿套管.....	1
10	07870410	Needle Thread Take-up Bushing (Front).....	針線提線桿套管(前).....	1
11	07870411	Needle Thread Take-up Bushing (Rear).....	針線提線桿套管(後).....	1
12	07870412	Lower Shaft Bushing (Left).....	下傳動軸套管(左).....	1
13	07870413	Lower Shaft Bushing (Right).....	下傳動軸套管(右).....	1
14	07870414	Differential Feed Bar Shaft Bushing (Left).....	差動送料具傳動軸套管(左).	1
15	07870415	Differential Feed Bar Shaft Bushing (Right)...	差動送料具傳動軸套管(右).	1
16	07870416	Feed Bar Lift Shaft Bushing (Left).....	送料具傳動軸套管(左).....	1
17	07870417	Feed Bar Lift Shaft Bushing (Right).....	送料具傳動軸套管(右).....	1
18	07870418	Oil Seal.....	油封.....	1
19	07870419	Looper Driving Shaft Bushing (Front).....	下勾針傳動軸套管(前).....	1
20	07870420	Looper Driving Shaft Bushing (Rear).....	下勾針傳動軸套管(後).....	1
21	07870421	Seal Plug.....	止油封塞.....	1
22	07870422	Eye Guard, Complete Set.....	護目鏡組.....	1
23	07870423	Safety Plate Support.....	護目鏡固定座.....	1
25	07870425	Safety Plate.....	護目鏡片.....	1
26	07870426	Screw (3/32-56x4).....	螺絲.....	2
27	07870427	Safety Plate Holder.....	護目鏡支架.....	1
28	07870428	Screw (11/64-40x9.7).....	螺絲.....	1
29	07870429	Conical Spring Washer.....	錐形彈簧墊圈.....	1
30	07870430	Washer.....	墊片.....	1
31	07870431	Nut.....	螺帽.....	1
32	07870432	Oil Seal.....	油封.....	1

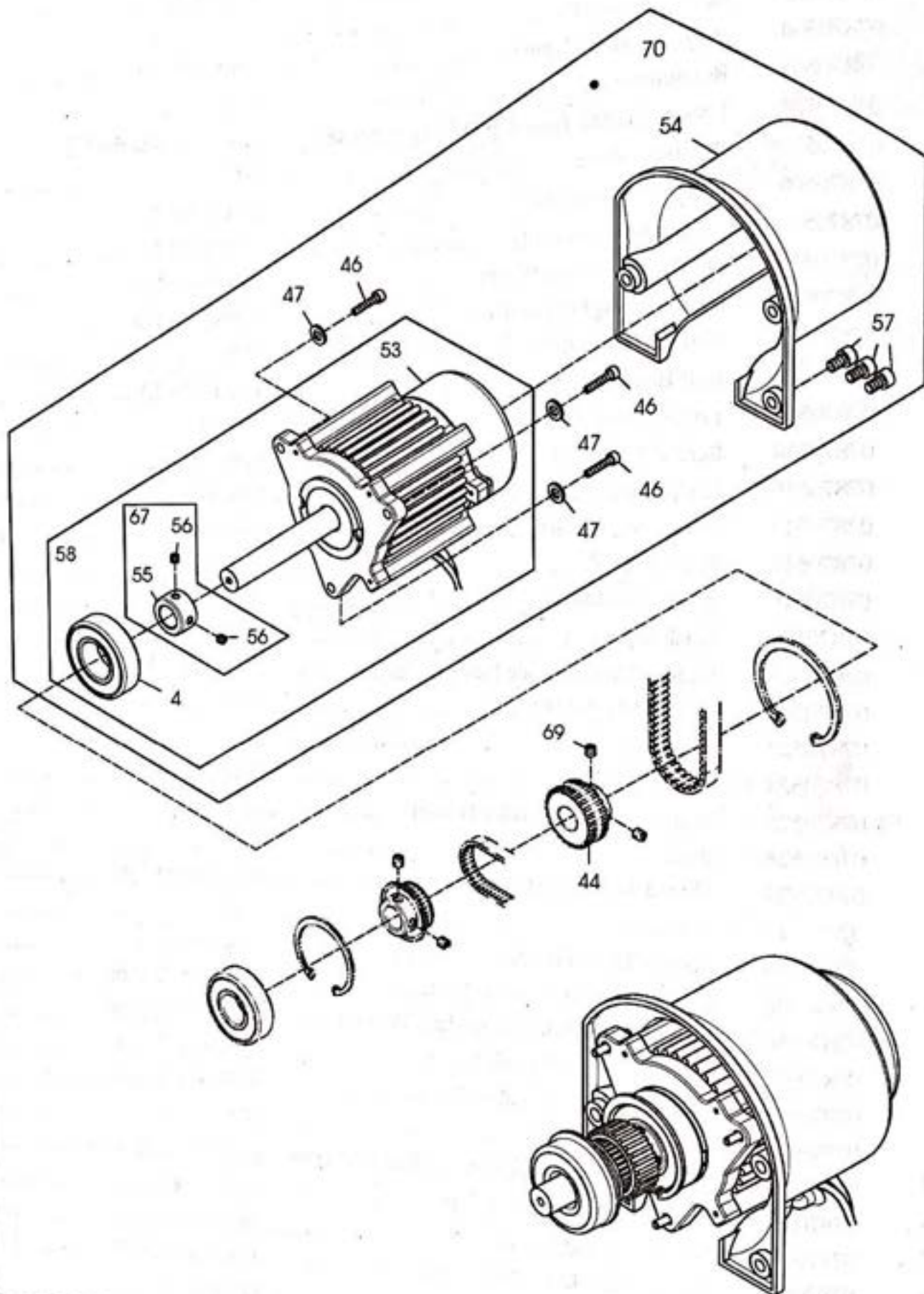


MAIN SHAFT DRIVING MECHANISM

下主軸機構組

5

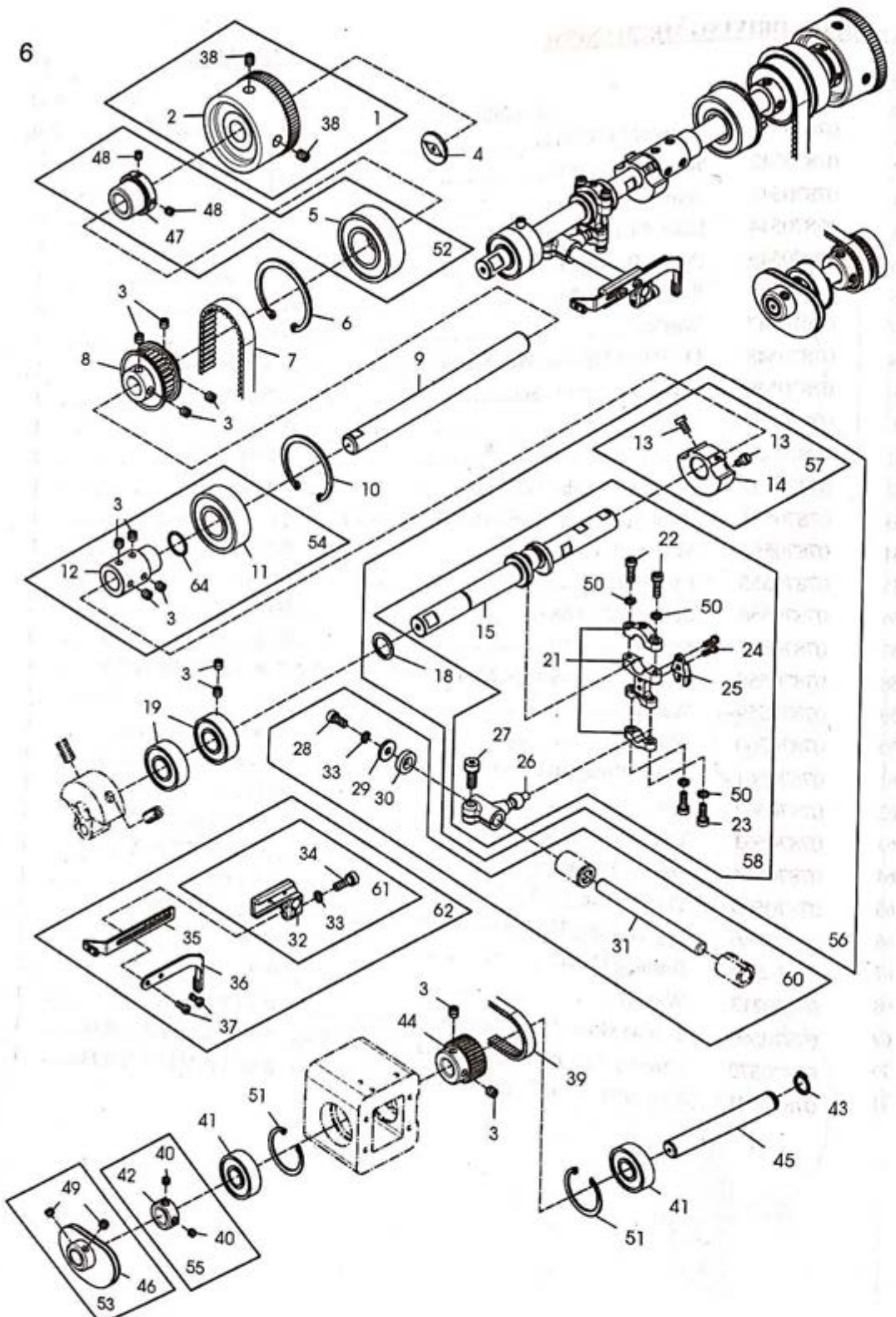
Ref.	Parts			Amt.
No.	No.	Description	品 名	Req.
1	07870501	Pulley.....	皮帶輪.....	1
2	07870502	Screw (M6-1x8).....	螺絲(尖底).....	1
3	07870503	Screw (M6-1x8).....	螺絲.....	1
4	07870504	Ball Bearing (Right).....	滾珠培林(右).....	2
5	07870505	Retaining Ring.....	扣環.....	1
6	07870506	Looper Thread Take-Up Driving Sprocket.....	底線分線盤驅動鏈連.....	1
7	07870507	Retaining Ring.....	扣環.....	1
8	07870508	Ball Bearing (Middle).....	滾珠培林(中).....	1
9	07870509	Lower Shaft (Right).....	下傳動軸(右).....	1
10	07870510	Oil Pump Driving Worm.....	油泵傳動連桿.....	1
11	07870511	Counterweight (Small).....	平衡配重凸輪.....	1
12	07870125	Screw (M4-0.7x8).....	螺絲.....	2
13	07870513	Ball Bearing (Left).....	滾珠培林(左).....	1
14	07870514	Lower Crankshaft.....	下曲軸.....	1
15	07870214	Screw (M6-1x4).....	螺絲.....	2
16	07870516	Looper Thread Guide.....	底線導板.....	1
17	07870517	Lower Shaft(Left).....	下傳動軸(左).....	1
18	07870518	Seal Plug.....	止油封塞.....	1
19	07870519	Screw(1/8-44x3).....	螺絲.....	1
20	07870520	Latch Spring.....	鎖彈簧.....	1
21	07870521	Looper Thread Guide Latch Lever.....	底線導板鎖壓板.....	1
22	07870202	Screw (M4-0.7x10).....	螺絲.....	1
23	07870523	Spring.....	彈簧.....	1
24	07870524	Spring Bushing.....	彈簧襯套.....	1
25	07870525	Thread Take-up Eyelet Holder.....	底線過線台.....	1
26	07870526	Bush.....	襯套.....	1
27	07870527	Thread Take-up Eyelet Bracket.....	底線過線組支架.....	1
28	07870528	Pin.....	插銷.....	1
29	07870529	Looper Thread Eyelet.....	底線輔助導板.....	1
30	07870530	Looper Thread Tension Post.....	底線張力調整組支柱.....	1
31	07870350	Looper Thread Supplementary Tension Disc...	底線張力調整盤.....	2
32	07870532	Thread Take-up Eyelet (Left).....	底線過線片(左).....	1
33	07870533	Thread Take-up Eyelet (Right).....	底線過線片(右).....	1
34	07870534	Screw (9/64-40x4).....	螺絲.....	4
35	07870535	Looper Thread Supplementary Tension Spring..	底線張力調整彈簧.....	1
36	07870352	Thread Tension Spring Cap.....	鬆緊調鈕.....	1
37	07870537	Needle Thread Eyelet.....	過線片.....	1
38	07870538	Thread Take Up Eyelet C. Set.....	底線過線台總成.....	1
39	07870539	O-Ring.....	O型橡膠環.....	2
40	07870323	Washer.....	墊片.....	2



MAIN SHAFT DRIVING MECHANISM**下主軸機構組****5**

Ref.	Parts			
No.	No.	Description	品名	Req
41	07870102	Screw (M4-0.7×12).....	螺絲.....	2
42	07870542	Screw (M6-1×6).....	螺絲(尖底).....	3
43	07870543	Screw (M6-1×6).....	螺絲.....	5
44	07870544	Main Shaft Sprocket (Lower)	下主軸鏈輪.....	1
45	07870545	Pulley Bearing C.Set.....	皮帶輪培林組件.....	1
46	07870546	Screw(M6-1×20).....	螺絲.....	3
47	07870547	Washer.....	墊片.....	3
48	07870548	Oil Pump Driving Worm C.Set.....	油泵傳動連桿組件.....	1
49	07870549	Counterweight C.Set.....	平衡配重凸輪組件.....	1
50	07870550	Bearing C.Set.....	培林組件.....	1
51	07870551	Lower Shaft C.Set.....	下傳動軸組件.....	1
52	07870552	Lower Crankshaft C.Set.....	下曲軸組件.....	1
53	07870553	Directly Driving Type Mini-Servo Motor.....	直驅式微型伺服馬達.....	1
54	07870554	Mini-Servo Motor Cover.....	微型伺服馬達蓋.....	1
55	07870555	Bushing.....	軸套.....	1
56	07870556	Screw(M5-0.8×4).....	螺絲.....	2
57	07870557	Screw(M6-1×10).....	螺絲.....	3
58	07870558	Directly Driving Type Mini-Servo Motor C.Set	直驅式微型伺服馬達組.....	1
59	07870559	Washer.....	墊片.....	1
60	07870560	Wire.....	毛根.....	1
61	07870561	Thead Take_Up Eyelet Holder C.Set.....	底線過線台組.....	1
62	07870562	Pin.....	插銷.....	1
63	07870563	Thead Take_Up Eyelet Bracket C.Set.....	底線過線組支架組.....	1
64	07870564	Looper Thread Tension Post C.Set.....	底線張力調整組支柱組.....	1
65	07870565	Thead Take_Up Eyelet Holder.....	底線過線台.....	1
66	07870566	Thead Take_Up Eyelet Bracket C.Set.....	底線過線組支架.....	1
67	07870567	Bushing C.Set.....	軸套組.....	1
68	07870213	Washer.....	墊片.....	2
69	07870569	Screw(M6-1×6).....	螺絲(平底).....	1
70	07870570	Directly Driving Type Mini-Servo Motor C.Set	直驅式微型伺服馬達組.....	1
71	07870571	Directly Driving Type Mini-Servo Motor C.Set	直驅式微型伺服馬達組.....	1

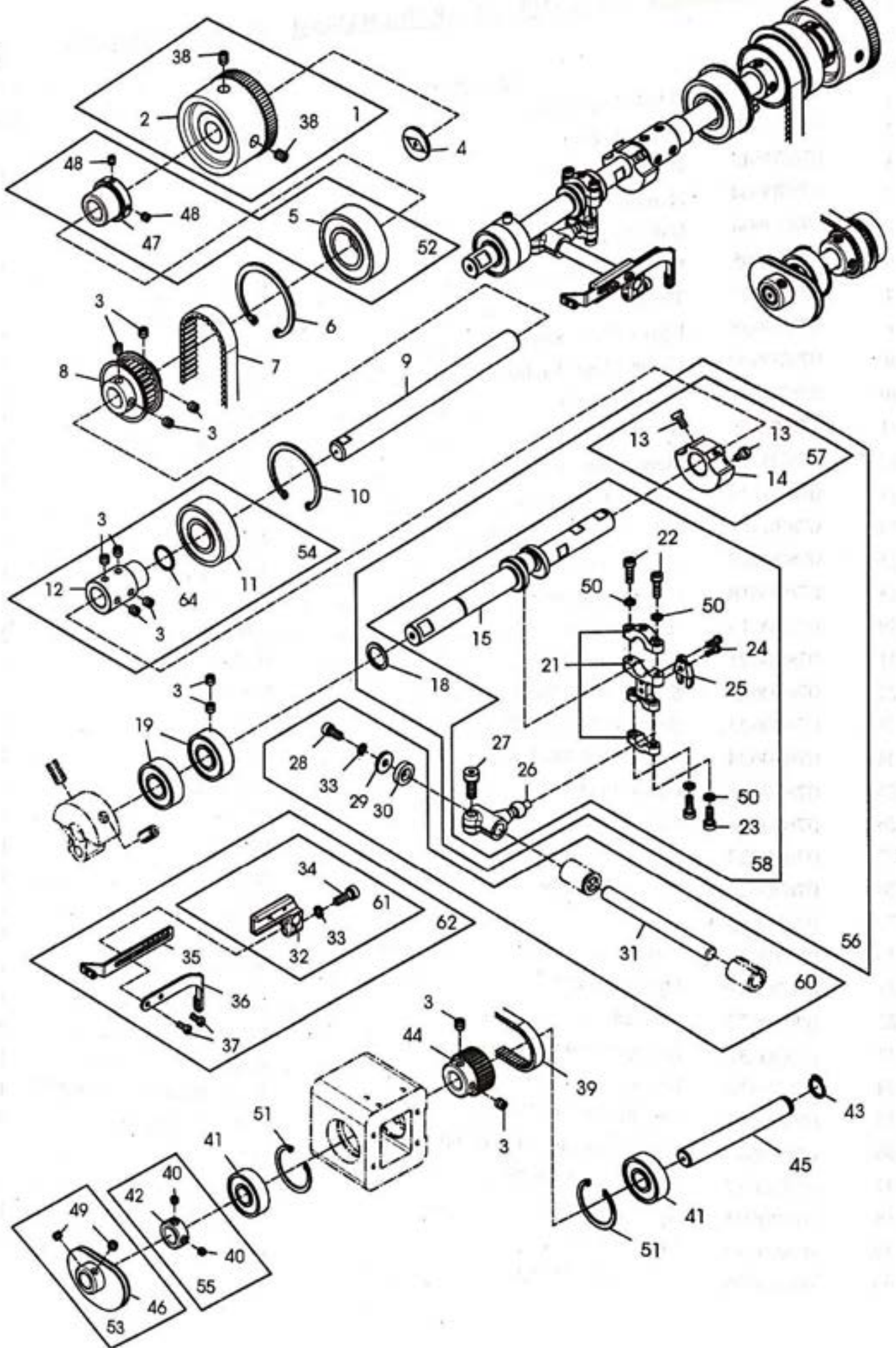
6



UPPER SHAFT & NEEDLE THREAD TAKE-UP MECHANISM 上主軸及針線提線諸元

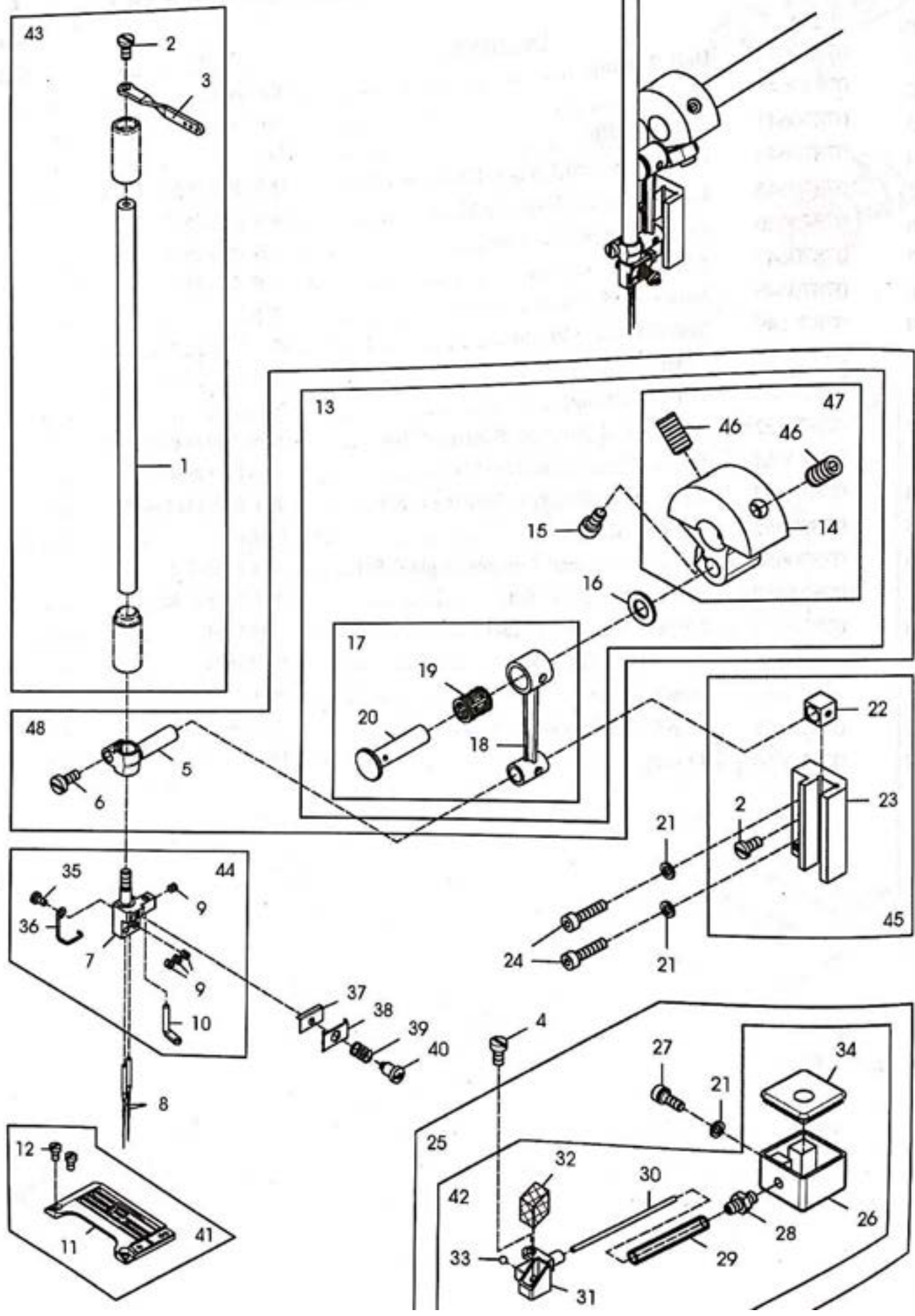
Ref. No.	Parts No.	Description	品名	Amt. Req.
1	07870601	Handwheel C.Set.....	手推輪組.....	1
2	07870602	Handwheel.....	手推輪.....	1
3	07870543	Screw (M6-1×6).....	螺絲.....	12
4	07870604	Handwheel Mark.....	手推輪商標銘牌.....	1
5	07870504	Ball Bearing.....	滾珠培林.....	1
6	07870505	Retaining Ring.....	扣環.....	1
7	07870607	Timing Belt.....	同步傳動皮帶.....	1
8	07870608	Upper Shaft Sprocket.....	上主軸鏈輪.....	1
9	07870609	Upper Shaft (Right).....	上主傳動軸(右).....	1
10	07870507	Retaining Ring.....	扣環.....	1
11	07870508	Ball Bearing.....	滾珠培林.....	1
12	07870612	Upper Shaft Joint.....	上主軸接頭.....	1
13	07870125	Screw (M4-0.7×8).....	螺絲.....	2
14	07870511	Counterweight (Small).....	平衡配重凸輪.....	1
15	07870615	Upper Crankshaft.....	上曲軸.....	1
18	07870618	Retaining Ring.....	扣環.....	1
19	07870619	Ball Bearing.....	滾珠培林.....	2
21	07870621	Connecting Rod.....	連桿.....	1
22	07870622	Screw (M4-0.7×14).....	螺絲.....	2
23	07870623	Screw (M4-0.7×12).....	螺絲.....	2
24	07870624	Screw (1/8-44×7.3).....	螺絲.....	2
25	07870625	Guide Fork.....	叉形導片.....	1
26	07870626	Driving Lever.....	傳動桿.....	1
27	07870627	Screw (M6-1×15).....	螺絲.....	1
28	07870628	Screw (M5-0.8×10).....	螺絲.....	1
29	07870629	Washer.....	墊片.....	1
30	07870630	Spacer.....	襯套.....	1
31	07870631	Driving Shaft.....	傳動軸.....	1
32	07870632	Bracket.....	托架.....	1
33	07870633	Spring Washer.....	彈性墊片.....	2
34	07870634	Screw (M5-0.8×14).....	螺絲.....	1
35	07870635	Needle Thread Take-up.....	針線提線過線桿(三針五線用).....	1
36	07870636	Top Cover Thread Take-up.....	上飾線提線過線桿.....	1
37	07870637	Screw (M3.5-0.6×8).....	螺絲.....	2
38	07870503	Screw(M6-1×8).....	螺絲.....	2
39	07870639	Timing Belt.....	時規皮帶.....	1
40	07870556	Screw (M5-0.8×4).....	螺絲.....	2

6



UPPER SHAFT & NEEDLE THREAD TAKE-UP MECHANISM 上主軸及針線提線諸元

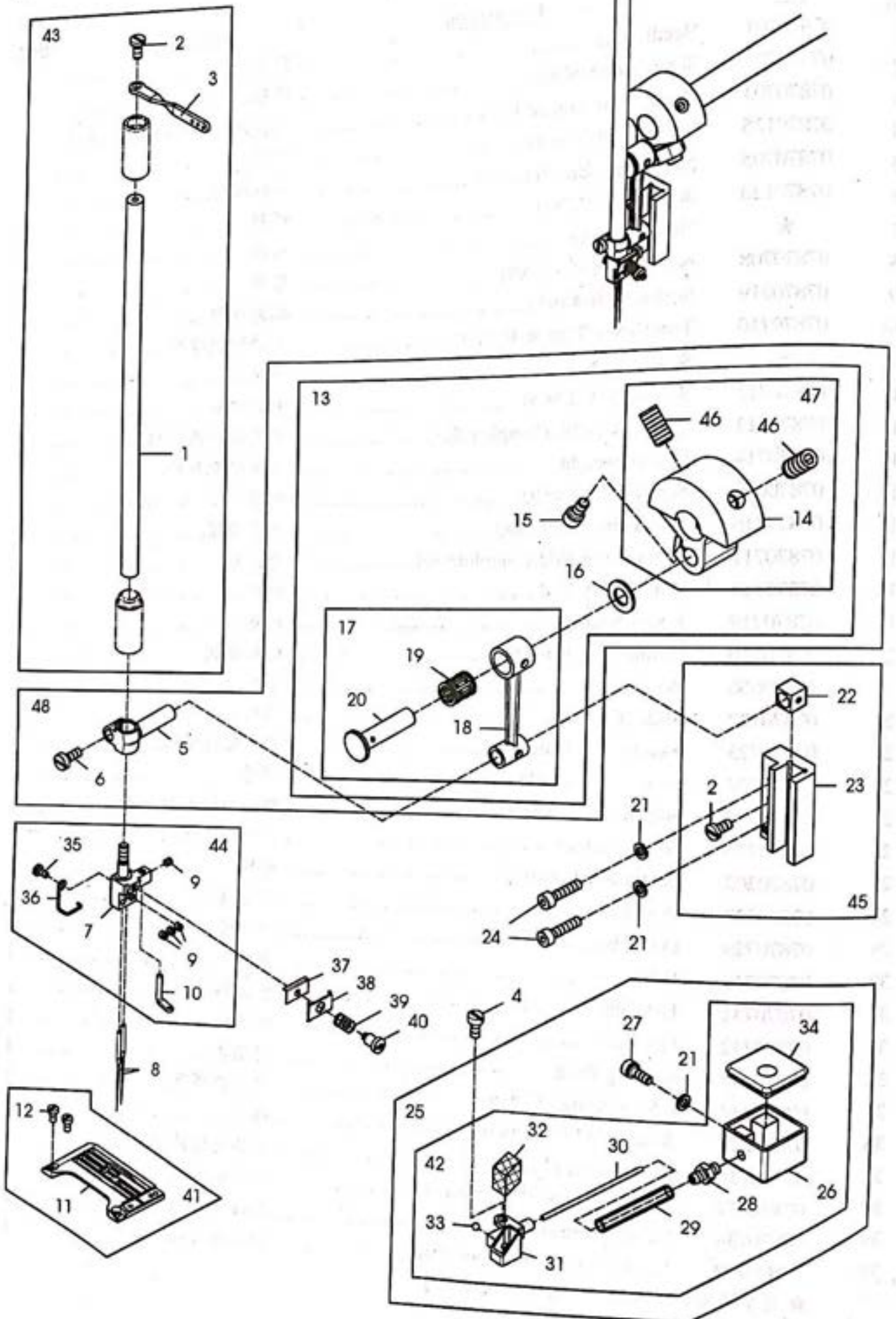
Ref. No.	Parts No.	Description	品名	Amnt Req
41	07870641	Ball Bearing	滾珠軸承.....	2
42	07870642	Adapter.....	接頭.....	1
43	07870643	Retaining Ring.....	扣環.....	1
44	07870644	Looper Thread Take-up Shaft Sprocket.....	分線盤主傳動軸鏈輪.....	1
45	07870645	Looper Thread Take-up Shaft	分線盤傳動軸.....	1
46	07870646	Looper Thread Take-up.....	底線挑線凸輪.....	1
47	07870647	Handwheel Adapter.....	手推輪轉軸套.....	1
48	07870648	Screw (M5-0.8x5).....	螺絲.....	2
49	07870649	Screw (7/32-32x4.5).....	螺絲.....	2
50	07870650	Washer.....	墊片.....	4
51	07870651	Retaining Ring.....	扣環.....	2
52	07870652	Handwheel Adapter Bearing C.Set.....	手推輪轉軸套培林組.....	1
53	07870653	Looper Thread Take-Up C.Set.....	底線挑線凸輪組.....	1
54	07870654	Upper Shaft Adapter Bearing C.Set.....	上主軸接頭培林組.....	1
55	07870655	Adapter C.Set.....	接頭組.....	1
56	07870656	Upper Crankshaft Counterweight C.Set.....	上曲軸配重組.....	1
57	07870657	Counterweight C.Set.....	平衡配重凸輪組.....	1
58	07870658	Upper Crankshaft C.Set.....	上曲軸組.....	1
60	07870660	Driving Shaft C.Set.....	傳動軸組.....	1
61	07870661	Bracket C.Set.....	托架組.....	1
62	07870662	Top Cover Thread C.Set.....	上飾線提線組.....	1
64	07870664	O-ring	O環.....	1



NEEDLE BAR MECHANISM

Ref. No.	Parts No.	Description	針柱機構 品名	2 Amt. Req.
1	07870701	Needle Bar.....	針柱.....	1
2	07870702	Screw (9/64-40x8).....	螺絲.....	2
3	07870703	Needle Bar Thread Eyelet.....	針柱頂過線桿(三針五線用).....	1
4	07870125	Screw (M4-0.7x8).....	螺絲.....	1
5	07870705	Needle Bar Bracket.....	針柱托架.....	1
6	07870120	Screw (M4-0.7x10).....	螺絲.....	1
7	★	Needle Clamp	針錐.....	1
8	07870708	Needle (UY128 GAS).....	擊針.....	3
9	07870319	Screw (1/8-44x3).....	鎖針螺絲.....	4
10	07870710	Top Cover Thread Eyelet.....	上飾線過線片.....	1
11	★	Stitch Plate	針板.....	1
12	07870712	Screw (M3-0.5x5).....	針板螺絲.....	2
13	07870713	Counterweight, Complete Set.....	平衡配重凸輪組.....	1
14	07870714	Counterweight.....	平衡配重凸輪.....	1
15	07870628	Screw (M5-0.8x10).....	螺絲.....	1
16	07870716	Connecting Rod Ring.....	連桿套環.....	1
17	07870717	Connecting Rod, Complete Set.....	連桿組.....	1
18	07870718	Connecting Rod.....	連桿.....	1
19	07870719	Roller Bearing.....	培林.....	1
20	07870720	Connecting Rod Pin.....	連桿插銷.....	1
21	07870650	Washer.....	墊片.....	3
22	07870722	Slide Block.....	針柱定位滑塊.....	1
23	07870723	Needle Bar Guide.....	針柱定位滑槽.....	1
24	07870724	Screw (M4-0.7x18).....	螺絲.....	2
25	07870725	HR Device, Complete.....	擊針冷卻裝置.....	1
26	07870726	HP Container.....	矽油儲存槽.....	1
27	07870202	Screw(M4-0.7x10).....	螺絲.....	1
28	07870728	Pipe Joint.....	油管接頭.....	1
29	07870729	Oil Tube.....	給油管.....	1
30	07870730	Felt.....	油蕊.....	1
31	07870731	HP Cup.....	矽油杯.....	1
32	07870732	HP Felt.....	吸油棉.....	1
33	07870733	Sealing Plug.....	封閉塞.....	1
34	07870734	HP Container Cover.....	矽油槽膠蓋.....	1
35	07870221	Screw (M2.6-0.45x5).....	螺絲.....	1
36	07870736	Needle Thread Guiding Wire.....	針線過線鐵線.....	1
37	07870737	Thread Retainer Disc Support.....	針線張力調整壓板固定座(小).....	1
38	07870738	Needle Thread Retainer Dice.....	針線張力調整壓板(小).....	1
39	07870739	Needle Thread Retainer Spring.....	針線張力調整彈簧.....	1

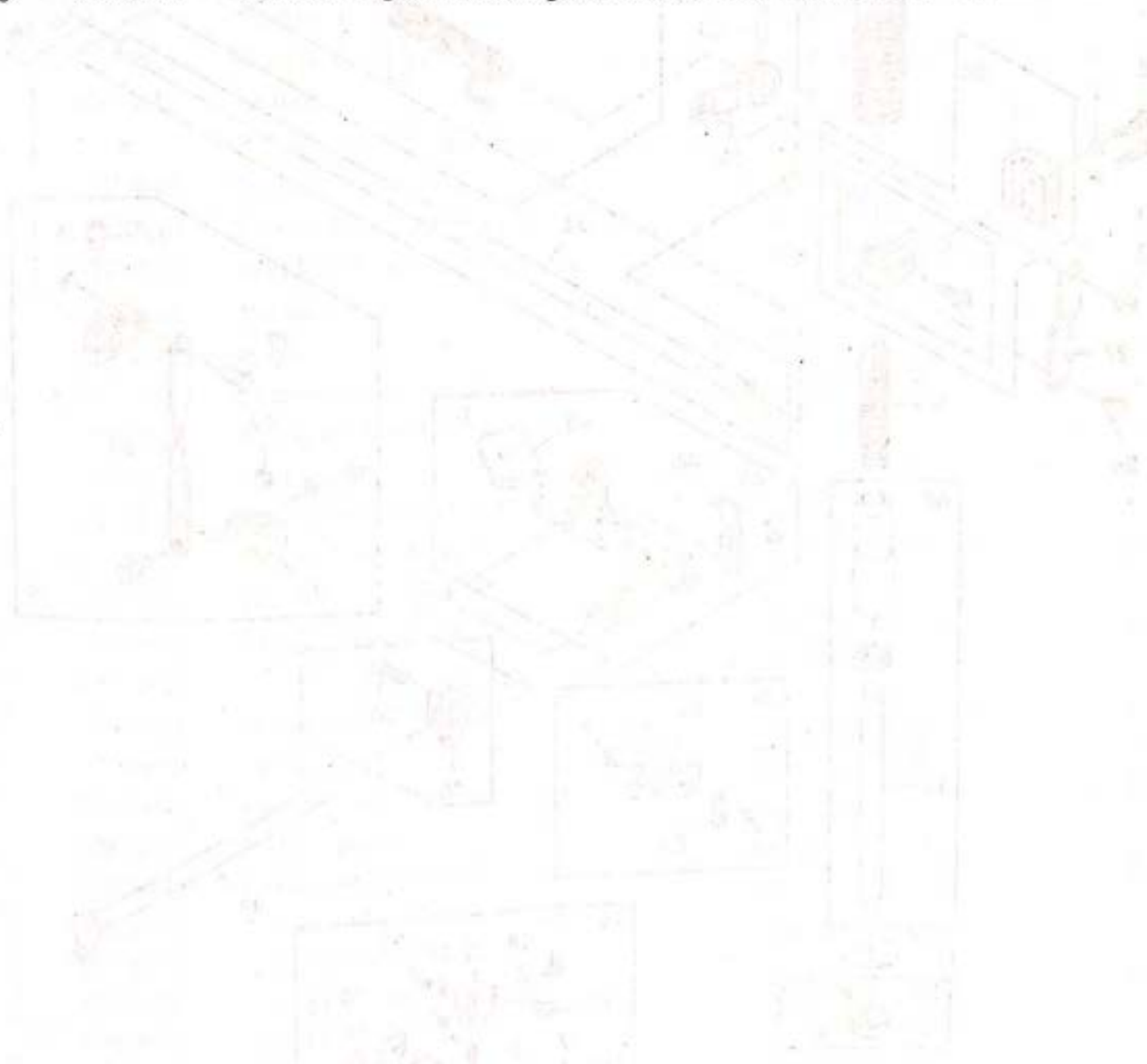
★請參照附件一、附件二【標準規格件】

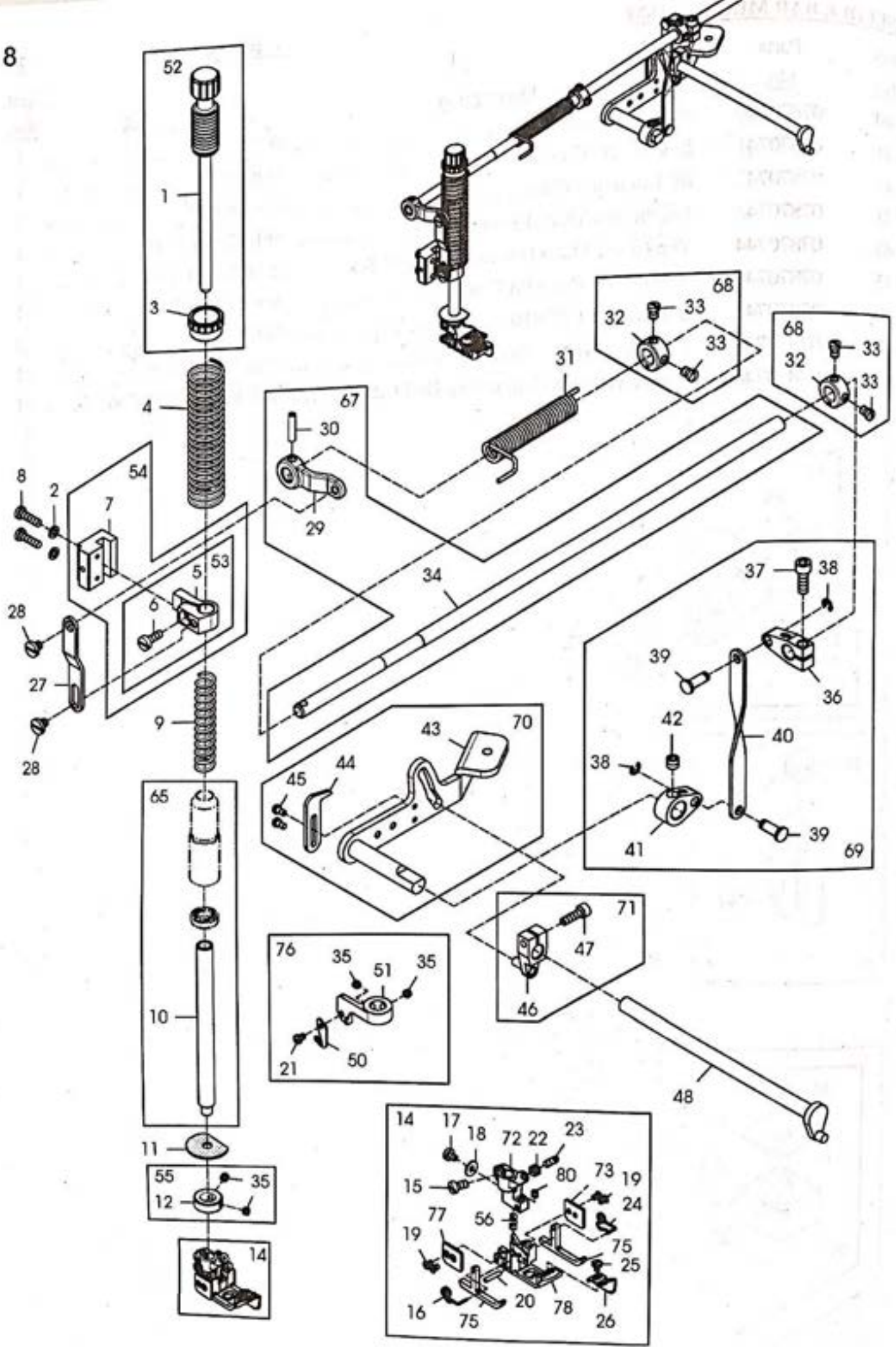


NEEDLE BAR MECHANISM

針柱機構

Ref. No.	Parts No.	Description	品名	Qty
40	07870740	Screw (1/8-44x2.5).....	螺絲.....	1
41	07870741	Stitch Plate C.Set.....	針板組件.....	1
42	07870742	SP Container C.Set.....	矽油槽組件.....	1
43	07870743	Needle Bar Thread Eyelet C.Set.....	針柱頂過線桿組.....	1
44	07870744	Top Cover Thread Needle Clamp C.Set.....	上飾過線針鉗組.....	1
45	07870745	Needle Bar Pinpoint C.Set.....	針柱定位組件.....	1
46	07870746	Screw(M8-1.25x16).....	螺絲.....	2
47	07870747	Counterweight C.Set.....	平衡配重凸輪組.....	1
48	07870748	Counterweight Connecting Rod C.Set.....	平衡配重凸輪連桿組.....	1

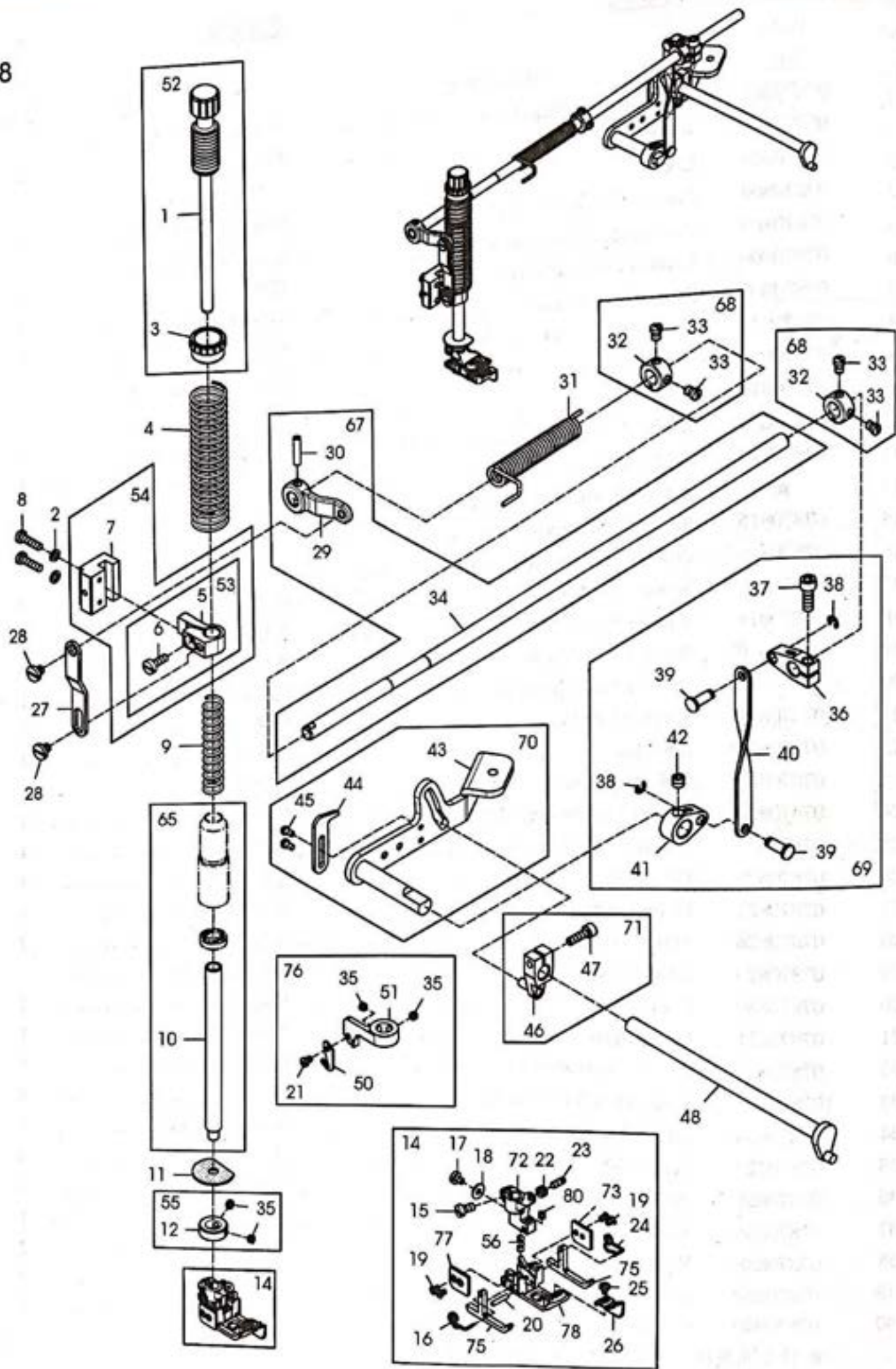




PRESSER FOOT MECHANISM

Ref. No.	Parts No.	Description	壓脚機構 品名	8 Amt. Req.
1	07870801	Presser Spring Regulator.....	壓脚彈簧調節器.....	1
2	07870650	Washer.....	墊片.....	2
3	07870803	Lock Nut.....	併緊螺帽.....	1
4	07870804	Presser Bar Spring (Outer).....	壓脚棒狀彈簧(外).....	1
5	07870805	Presser Bar Connecting Bracket.....	壓脚推桿連結架.....	1
6	07870806	Screw (11/64-40×10).....	螺絲.....	1
7	07870807	Presser Bar Guide.....	壓脚推桿導架.....	1
8	07870622	Screw (M4-0.7×14).....	螺絲.....	2
9	07870809	Presser Bar Spring (Inner).....	壓脚棒狀彈簧(內).....	1
10	07870810	Presser Bar.....	壓脚推桿.....	1
11	07870811	Oil Protector Ring.....	止油環.....	1
12	07870812	Collar.....	軸環.....	1
14	★	Presser Foot, Complete Set.....	壓脚組.....	1
15	07870815	Screw (9/64-40×8).....	螺絲.....	1
16	07870816	Presser Foot Spring (Left).....	壓脚彈簧(左).....	1
17	07870817	Screw (1/8-44×3.5).....	螺絲.....	1
18	07870818	Washer.....	墊片.....	1
19	07870819	Screw (3/32-56×5).....	螺絲.....	4
20	07870820	Presser Foot Hinge Pin.....	壓脚鎖門插銷.....	1
21	07870821	Screw (1/8-44×4).....	螺絲.....	1
22	07870822	Lock Nut.....	保險螺帽.....	1
23	07870823	Adjusting Screw (1/8-44×10).....	可調螺絲.....	1
24	07870824	Presser Foot Spring (Right).....	壓脚彈簧(右).....	1
25	07870825	Screw (3/32-56×3.5).....	螺絲.....	1
26	07870826	Fabric Guide (Long).....	壓脚舌(長).....	1
27	07870827	Lifter Link.....	提升連桿.....	1
28	07870828	Screw (3/16-32×2.2).....	螺絲.....	2
29	07870829	Lifter Link Lever.....	提升連結拉柄.....	1
30	07870830	Fastener Pin.....	固定銷.....	1
31	07870831	Lifter Spring.....	提升彈簧.....	1
32	07870832	Collar (8×16×8mm).....	軸環.....	2
33	07870833	Screw (M4.5-0.75×5.5).....	螺絲.....	4
34	07870834	Lifter Shaft.....	壓脚提升主軸.....	1
35	07870229	Screw (M4-0.7×3).....	螺絲.....	4
36	07870836	Intermediate Lever.....	中間拉柄.....	1
37	07870634	Screw (M5-0.8×14).....	螺絲.....	1
38	07870838	Retaining Ring.....	扣環.....	2
39	07870839	Connecting Pin.....	連結銷.....	2
40	07870840	Connecting Plate.....	連結拉板.....	1

★請參照附件一、附件二【標準規格件】



PRESSER FOOT MECHANISM

壓腳機構

8

Ref.	Parts			
No.	No.	Description	品名	Ar Re
41	07870841	Lifter Lever (Small).....	提升拉柄(小).....	1
42	07870543	Screw (M6-1×6).....	螺絲.....	1
43	07870843	Lifter Lever.....	提升拉柄.....	1
44	07870844	Lifter Lever Stop.....	提升拉柄止塊.....	1
45	07870845	Screw (9/64-40×6).....	螺絲.....	2
46	07870846	Tension Release Lever.....	拉力釋放槓桿.....	1
47	07870847	Screw (11/64-40×14).....	螺絲.....	1
48	07870848	Tension Release Shaft.....	拉力釋放軸.....	1
50	07870850	Cutter.....	割線刀.....	1
51	07870851	Cutter Holder.....	割線刀座.....	1
52	07870852	Presser Spring Regulator C.Set.....	壓腳彈簧調節器組.....	1
53	07870853	Presser Bar Connection Braxket C.Set.....	壓腳推桿連結組.....	1
54	07870854	Presser Bar C.Set.....	壓腳推桿組.....	1
55	07870855	Collar C.Set.....	軸環組.....	1
56	07870856	Presser Foot Spring.....	壓腳彈簧.....	1
65	07870865	Presser Bar C.Set.....	壓腳推桿組.....	1
67	07870867	Lifter Link Lever C.Set.....	提升連結拉桿組.....	1
68	07870868	Collar C.Set.....	軸環組.....	1
69	07870869	Connection Plate C.Set.....	連結拉板組.....	1
70	07870870	Lifter Lever C.Set.....	提升拉柄組.....	1
71	07870871	Tension Release Lever C.Set.....	拉力釋放槓桿組.....	1
72	07870872	Presser Head.....	壓腳頭.....	1
73	07870873	Fender Plate.....	擋片.....	1
75	07870875	Sideways Presser Plate.....	側邊壓板.....	1
76	07870876	Cutter Holder C.Set.....	割線刀座組.....	1
77	07870877	Fender Plate.....	擋片.....	1
78	07870878	Presser Foot Noumenon	壓腳本體.....	1
80	07870880	Screw (M3-0.5×3).....	螺絲.....	1

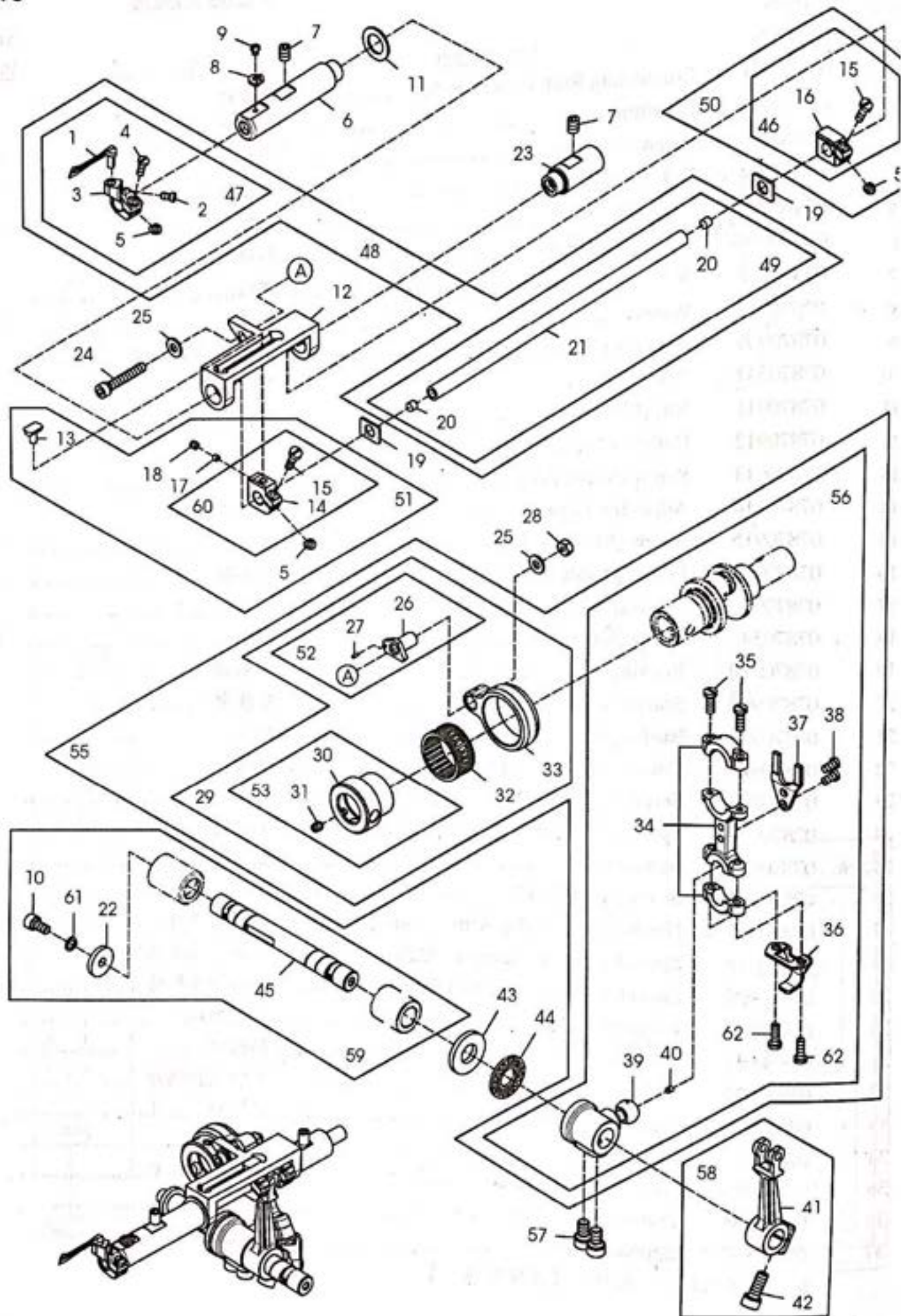
SPREADER MECHANISM

上飾線驅動機構

2

Ref. No.	Parts No.	Description	品名	Amt. Req.
1	07870901	Connecting Rod, Complete Set.....	連桿組.....	1
2	07870902	Eccentric.....	偏心輪.....	1
3	07870503	Screw (M6-1×8).....	螺絲.....	2
4	07870904	Roller Bearing.....	滾珠培林.....	1
5	07870905	Connecting Rod.....	連桿.....	1
6	07870906	Retaining Ring.....	扣環.....	1
7	07870125	Screw (M4-0.7×8).....	螺絲.....	1
8	07870908	Washer.....	墊片.....	1
9	07870909	Adjusting Lever Pin.....	拉柄可調式插銷.....	1
10	07870547	Washer.....	墊片.....	1
11	07870911	Nut (M6-1.0).....	螺帽.....	1
12	07870912	Collar (12×20×8mm).....	軸環.....	1
13	07870913	Screw (M4-0.7×6).....	螺絲.....	2
14	07870914	Adjusting Lever.....	可調式拉柄.....	1
15	07870915	Screw (M6-1×16).....	螺絲.....	1
16	07870916	Driving Shaft.....	主動軸.....	1
17	07870917	Rocking Arm.....	搖臂.....	1
18	07870543	Screw (M6-1×6).....	螺絲.....	2
19	07870919	Rocking Pin.....	支點銷.....	1
20	07870920	Spreader Bar.....	延展臂.....	1
21	07870921	Bushing Ring.....	襯環.....	1
22	07870922	Collar (10×18×7mm).....	軸環.....	1
23	07870229	Screw (M4-0.7×4).....	螺絲.....	2
24	07870924	Spreader Holder.....	上勾固定座.....	1
25	★ 07870925	Spreader.....	上勾.....	1
26	07870102	Screw (M4-0.7×12).....	螺絲.....	2
27	07870927	Needle Bar Rocking Arm, Complete Set.....	針棒搖臂組.....	1
28	07870928	Spreader Needle Eccentric C.Set.....	上勾針偏心輪組.....	1
29	07870929	Eccentric Connecting Rod Bearing C.Set.....	偏心輪連桿培林組.....	1
30	07870930	Eccentric C.Set.....	偏心輪組.....	1
31	07870931	Collar C.Set.....	軸環組.....	1
32	07870932	Adjusting Lever C.Set.....	可調式拉柄組.....	1
33	07870933	Rocking Arm C.Set.....	搖臂組.....	1
34	07870934	Collar C.Set.....	軸環組.....	1
35	07870935	Spreader Holder C.Set.....	上勾固定座組.....	1
36	07870936	Driving Shaft C.Set.....	主動軸組.....	1
37	07870937	Spreader Bar.....	延展臂組.....	1

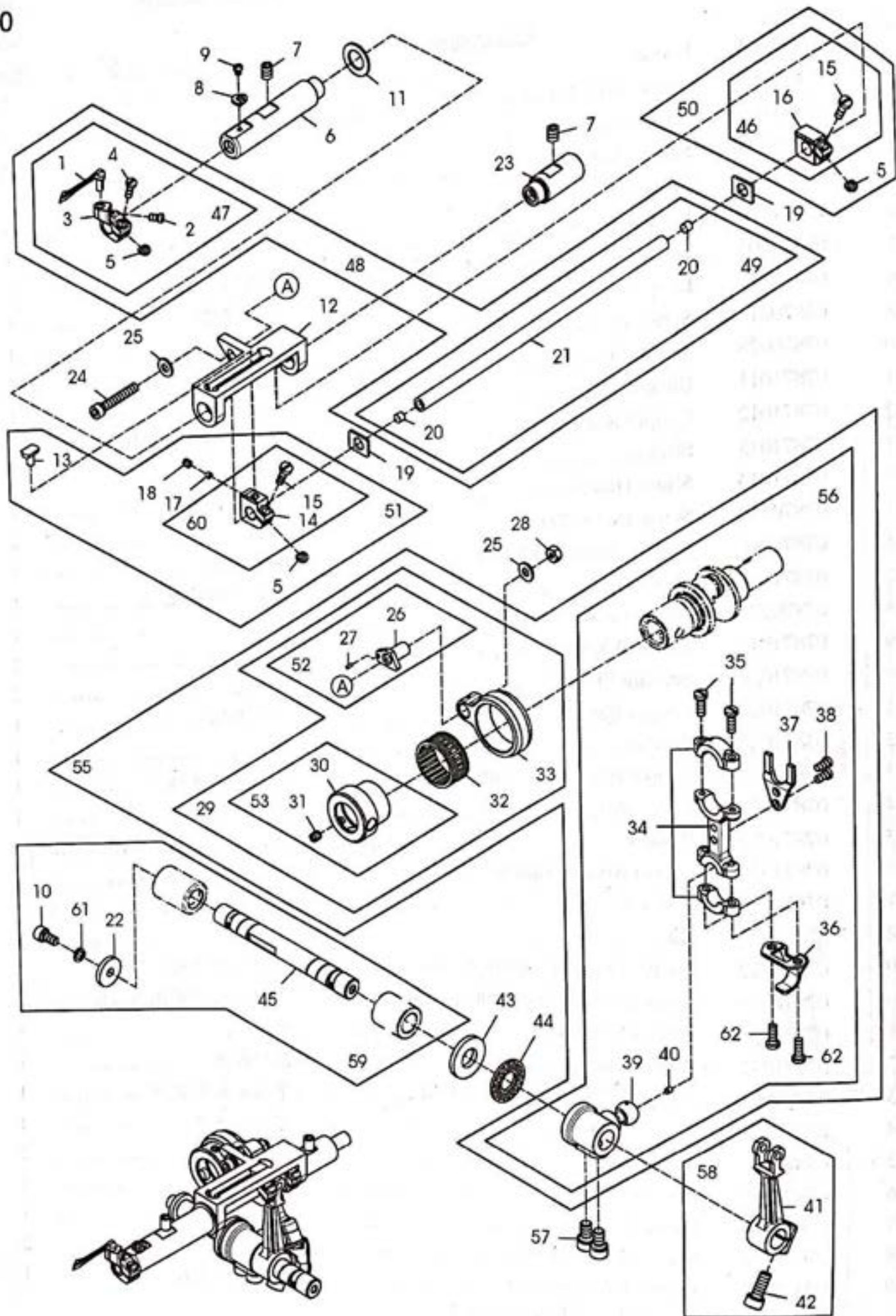
★請參照附件一、附件二【標準規格件】



LOOPER DRIVING MECHANISM

Ref. No.	Parts No.	Description	品名	Amt. Req.
1	★ 07871001	Looper.....	下勾針.....	1
2	07871002	Screw (M3.5-0.6x6).....	螺絲.....	1
3	07871003	Looper Holder.....	下勾針固定座.....	1
4	07871004	Screw (M3.5-0.6x10).....	螺絲.....	1
5	07871005	Spacer (Fiber).....	墊片.....	3
6	07871006	Looper Bar Bushing.....	下勾針驅動軸襯套.....	1
7	07870503	Screw (M6-1x8).....	螺絲.....	2
8	07870537	Looper Thread Eyelet.....	勾針線過線孔.....	1
9	07870210	Screw (M3-0.5x3).....	螺絲.....	1
10	07870628	Screw (M5-0.8x10).....	螺絲.....	1
11	07871011	Bushing Spacer.....	襯套墊片.....	1
12	07871012	Looper Bar Guide.....	下勾針驅動軸導槽.....	1
13	07871013	Slider.....	滑塊.....	1
14	07871014	Slider Holder.....	滑塊固定座.....	1
15	07870102	Screw (M4-0.7x12).....	螺絲.....	2
16	07871016	Rocker Arm, Holder.....	搖臂夾座.....	1
17	07871017	Slider Presser.....	滑塊定位壓塊.....	1
18	07870229	Screw (M4-0.7x4).....	螺絲.....	1
19	07871019	Thrust Washer.....	止推墊圈.....	2
20	07871020	Sealing Plug.....	封閉塞.....	2
21	07871021	Looper Bar.....	下勾針棒.....	1
22	07871022	Washer.....	墊片.....	1
23	07871023	Looper Bar Guide Shaft.....	下勾針棒導軸.....	1
24	07871024	Screw (M5-0.8x30).....	螺絲.....	1
25	07871025	Washer.....	墊片.....	2
26	07871026	Looper Rocker Adjusting Pin.....	下勾針搖臂調整銷.....	1
27	07871027	Roll Pin.....	棍子銷.....	1
28	07871028	Nut.....	螺帽.....	1
29	07871029	Looper Rocker Eccentric C. Set.....	下勾針搖臂偏心輪組.....	1
30	07871029	Looper Rocker Regulating Eccentric.....	下勾針搖臂可調偏心輪.....	1
31	07871030	Screw (M5-0.8x5).....	螺絲.....	1
32	07870648	Roller Bearing.....	滾針軸承.....	1
33	07871032	Looper Rocker Connecting Rod.....	下勾針搖臂連桿.....	1
34	07871033	Looper Connecting Rod.....	下勾針連桿.....	1
35	07871034	Screw (M4-0.7x14).....	螺絲.....	2
36	07870120	Oil Splasher.....	撥油片.....	1
37	07871036	Oil Splasher.....	定位叉.....	1
38	07871037	Guide Fork.....	螺絲.....	2
39	07871038	Screw (11/64-40x8.3).....	下勾針驅動桿.....	1
	07871039	Looper Driving Lever.....		

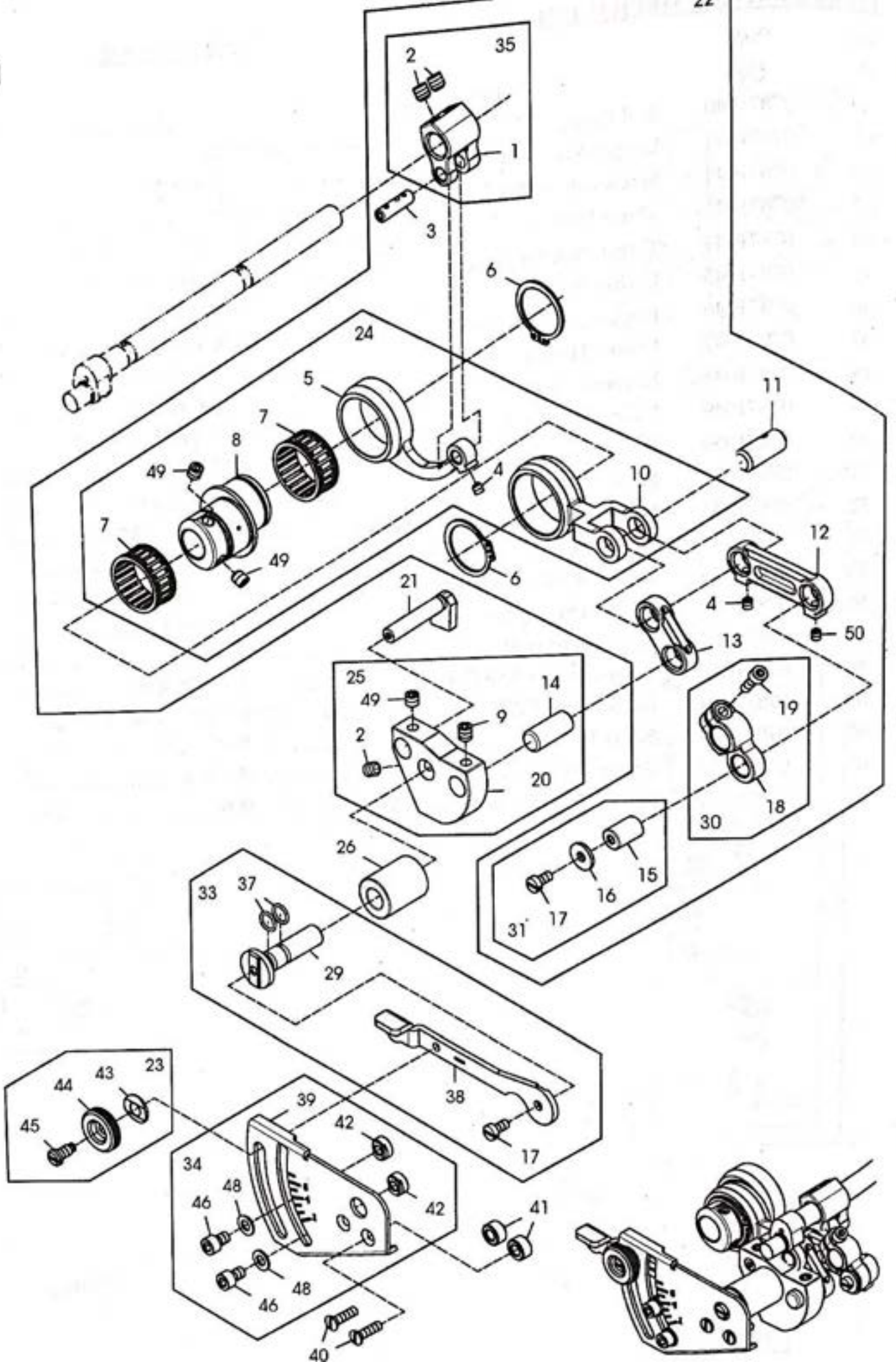
本機零件一、附件二【標準規格件】



LOOPER DRIVING MECHANISM

下勾針驅動機構

Ref. No.	Parts No.	Description	品名	10 Amt Req
40	07871040	Seal Plug.....	封塞.....	1
41	07871041	Looper Rocker Arm.....	下勾針搖臂.....	1
42	07871042	Screw (M6-0.75x15).....	螺絲.....	1
43	07871043	Thrust Plate.....	推力板.....	1
44	07871044	Thrust Roller Bearing.....	推力滾珠培林.....	1
45	07871045	Looper Shaft.....	下勾針主軸.....	1
46	07871046	Rocker Arm, Holder.....	搖臂夾座.....	1
47	07871047	Looper Holder C.Set.....	下勾針固定座組.....	1
48	07871048	Looper C.Set.....	下勾針組.....	1
49	07871049	Looper Bar C.Set.....	下勾針棒組.....	1
50	07871050	Rocker Arm, Holder C.Set.....	搖臂夾座組.....	1
51	07871051	Slider Holder C.Set.....	滑塊固定座組.....	1
52	07871052	Looper Rocker Adjustment Pin C.Set.....	下勾針搖臂調整銷組.....	1
53	07871053	Looper Rocker Arm Eccentric.....	下勾針搖臂偏心輪組.....	1
55	07871055	Looper Rocker Connecting Rod. C.Set.....	下勾針搖臂連桿組.....	1
56	07871056	Looper Driving Lever C.Set.....	下勾針驅動桿組.....	1
57	07870557	Screw(M6-1.0x10).....	螺絲.....	2
58	07871058	Looper rocker Arm C.Set.....	下勾針搖臂組.....	1
59	07871059	Looper Shaft C.Set.....	下勾針主軸組.....	1
60	07871060	Silder Holder.....	滑塊固定座.....	1
61	07870633	Spring Washer.....	彈簧墊片.....	1
62	07870622	Screw(M4-0.7x14).....	螺絲.....	2

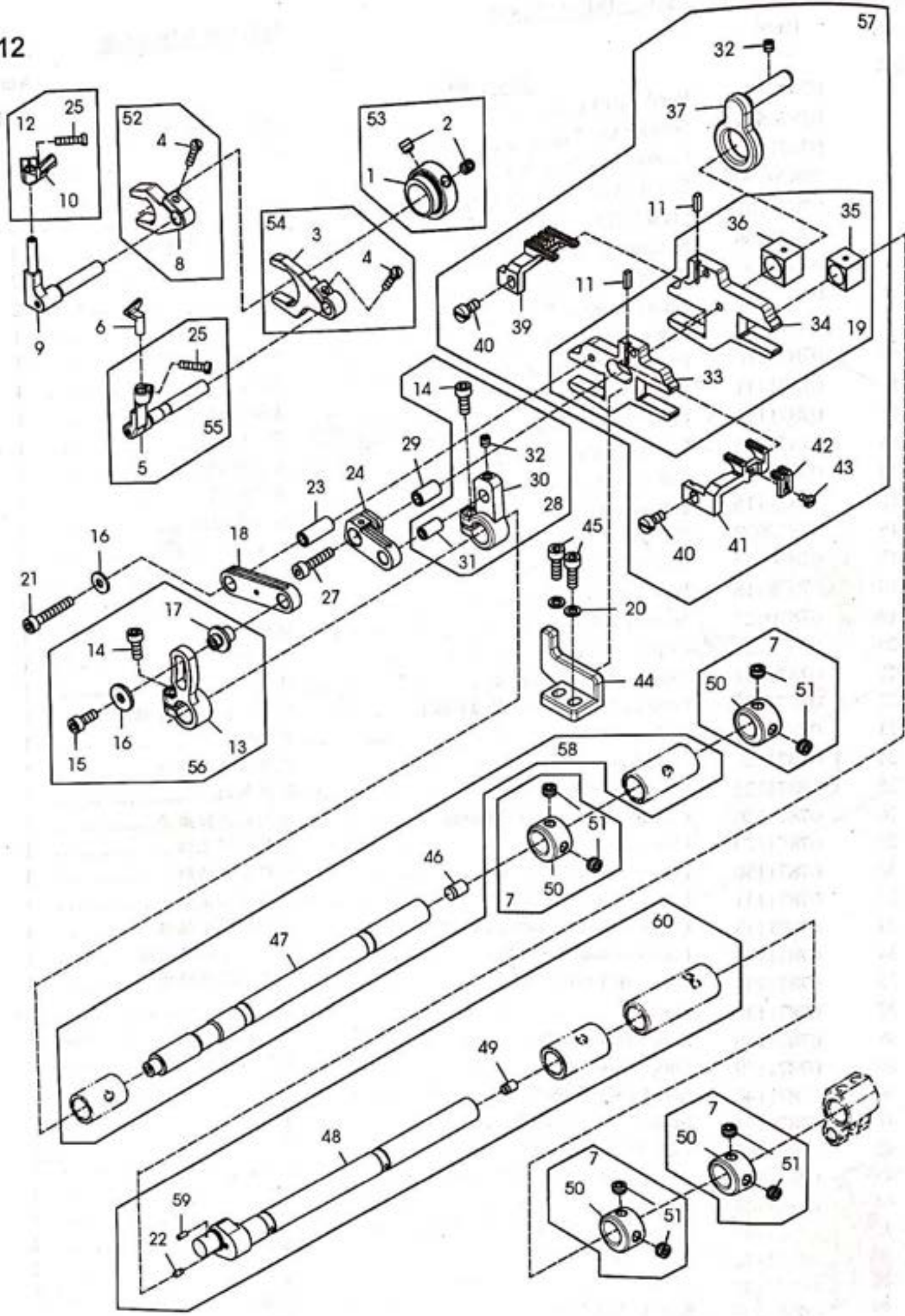


FEED DRIVING CONTROL MECHANISM

送料具驅動控制機構

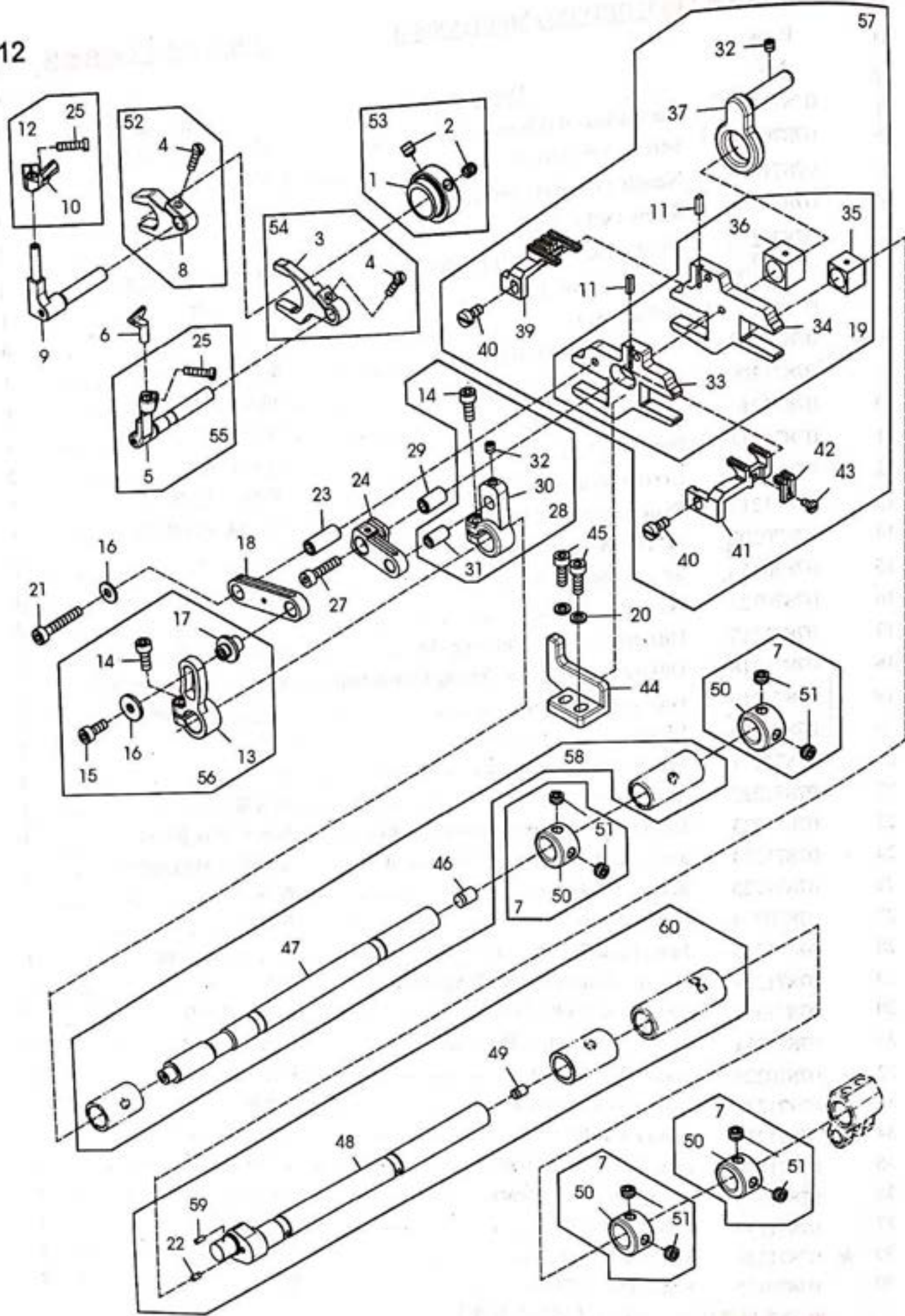
11

Ref. No.	Parts No.	Description	品名	Amt. Req.
1	07871101	Feed Lift Lever.....	送料具提升桿.....	1
2	07870543	Screw (M6-1x6).....	螺絲.....	3
3	07871103	Connecting Rod Pin.....	連桿插銷.....	1
4	07870229	Screw (M4-0.7x4.5)(尖頭).....	螺絲.....	2
5	07871105	Feed Lift Connecting Rod.....	送料具提升連桿.....	1
6	07871106	Retaining Ring.....	扣環.....	2
7	07871107	Roller Bearing.....	滾珠培林.....	2
8	07871108	Feed Eccentric.....	送料具偏心輪.....	1
9	07870542	Screw (M6-1x6).....	螺絲(尖底).....	1
10	07871110	Feed Connecting Rod.....	送料具連桿.....	1
11	07871111	Connecting Rod Pin.....	連桿插銷.....	1
12	07871112	Lever Link (Long).....	提環桿(長).....	1
13	07871113	Lever Link (Short).....	提環桿(短).....	1
14	07871114	Connecting Rod Link Pin.....	連桿插銷.....	1
15	07871115	Lever Link Pin.....	提環桿插銷.....	1
16	07870908	Washer.....	墊片.....	1
17	07870125	Screw (M4-0.7x8).....	螺絲.....	2
18	07871118	Feed Shaft Lever.....	進給軸拉柄.....	1
19	07870623	Screw (M4-0.7x12).....	螺絲.....	1
20	07871120	Control Bracket.....	控制架.....	1
21	07871121	Connecting Rod Guide.....	連桿導軸.....	1
22	07871122	Feed Lift Connecting Rod C.Set.....	送料具提升連桿組.....	1
23	07871123	Spring Cap C.Set.....	調鈕組.....	1
24	07871124	Feed Eccentric C.Set.....	送料具偏心輪組.....	1
25	07871125	Control Bracket C.Set.....	控制架組.....	1
26	07871126	Control Lever Shaft Bushing.....	控制橫桿軸襯套.....	1
29	07871129	Control Lever Shaft.....	控制橫桿主軸.....	1
30	07871130	Feed Shaft Lever C.Set.....	進給軸拉柄組.....	1
31	07871131	Lever Link Pin C.Set.....	提環桿插銷組.....	1
33	07871133	Control Lever Shaft C.Set.....	控制橫桿主軸組.....	1
34	07871134	Feed Graduations C.Set.....	針距尺寸刻度板組.....	1
35	07871135	Feed Lift Lever C.Set.....	送料具提升桿組.....	1
37	07871137	O-ring.....	O環.....	2
38	07871138	Feed Control Lever.....	送料具控制桿.....	1
39	07871139	Feed Graduations.....	針距尺寸刻度板.....	1
40	07871140	Screw (M4-0.7x14.5).....	螺絲.....	2
41	07871141	Spacer.....	墊塊.....	2
42	07871142	Control Lever Stop.....	控制橫桿止塊.....	2
43	07871143	Conical Spring Washer.....	錐形彈簧墊片.....	1
44	07871144	Spring Cap.....	調鈕.....	1
45	07871145	Screw (M6-1x7.5, M4.5-0.5x3).....	螺絲.....	1
46	07871146	Screw (M5-0.8x8).....	螺絲.....	2
48	07871148	Washer.....	墊片.....	2
49	07870503	Screw (M6-1x8).....	螺絲.....	3
50	07870229	Screw (M4-0.7x4).....	螺絲.....	1



Ref. No.	Parts No.	Description	品名	Amt. Req.
1	07871201	Needle Guard (Front) Eccentric.....	頂針片(前)偏心輪.....	1
2	07870648	Screw (M5-0.8x5).....	螺絲.....	2
3	07871203	Needle Guard (Front) Lever.....	頂針片(前)撥叉.....	1
4	07871204	Screw (M3-0.5x12).....	螺絲.....	2
5	07871205	Needle Guard (Front) Holder.....	頂針片(前)固定座.....	1
6	07871206	Needle Guard (Front).....	頂針片(前).....	1
7	07871207	Collar C.Set.....	軸環組件.....	4
8	07871208	Needle Guard (Rear) Lever.....	頂針片(後)撥叉.....	1
9	07871209	Needle Guard (Rear) Holder.....	頂針片(後)固定座.....	1
10	07871210	Needle Guard (Rear).....	頂針片(後).....	1
11	07871211	Feed Dog Key.....	送料具鍵.....	2
12	07871212	Needle Guard (Rear) C.Set.....	頂針片(後)組.....	1
13	07871213	Differential Feed Rocker Lever.....	送料具差動搖臂.....	1
14	07870202	Screw (M4-0.7x10).....	螺絲.....	2
15	07870256	Screw(M4-0.7x8).....	螺絲.....	1
16	07870323	Washer.....	墊片.....	2
17	07871217	Differential Feed Adjusting Pin.....	送料具差動調整插銷.....	1
18	07871218	Differential Feed Bar Driving Connection.....	送料具差動軸驅動連桿.....	1
19	07871219	Feed Dog Bar C.Set.....	送料具固定座總成.....	1
20	07870650	Washer.....	墊片.....	2
21	07871221	Screw (M4-0.7x24).....	螺絲.....	1
22	07871222	Sealing Plug(2.5x5).....	止油塞.....	1
23	07871223	Driving Connection Bushing (Long).....	驅動連桿襯套(長).....	1
24	07871224	Main Feed Bar Driving Connection.....	主送料具軸驅動連桿.....	1
25	07871225	Screw (M3-0.5x8).....	螺絲.....	2
27	07870724	Screw (M4-0.7x18).....	螺絲.....	1
28	07871228	Main Feed Rocker Lever C.Set.....	主送料具搖臂組.....	1
29	07871229	Driving Connection Bushing (Short).....	驅動連桿襯套(短).....	1
30	07871230	Main Feed Rocker Lever.....	主送料具搖臂.....	1
31	07871231	Driving Connection Pin.....	驅動連桿插銷.....	1
32	07870229	Screw (M4-0.7x4).....	螺絲.....	2
33	07871233	Differential Feed Bar.....	差動送料具固定座.....	1
34	07871234	Main Feed Bar.....	主送料具固定座.....	1
35	07871235	Feed Lift Block (Front).....	送料具提升滑塊(前).....	1
36	07871236	Feed Lift Block (Rear).....	送料具提升滑塊(後).....	1
37	07871237	Feed Bar Guide.....	送料具導桿.....	1
39	★ 07871239	Main Feed Dog.....	主齒.....	1
40	07870125	Screw (M4-0.7x8).....	螺絲.....	2

★請參照附件一、附件二【標準規格件】



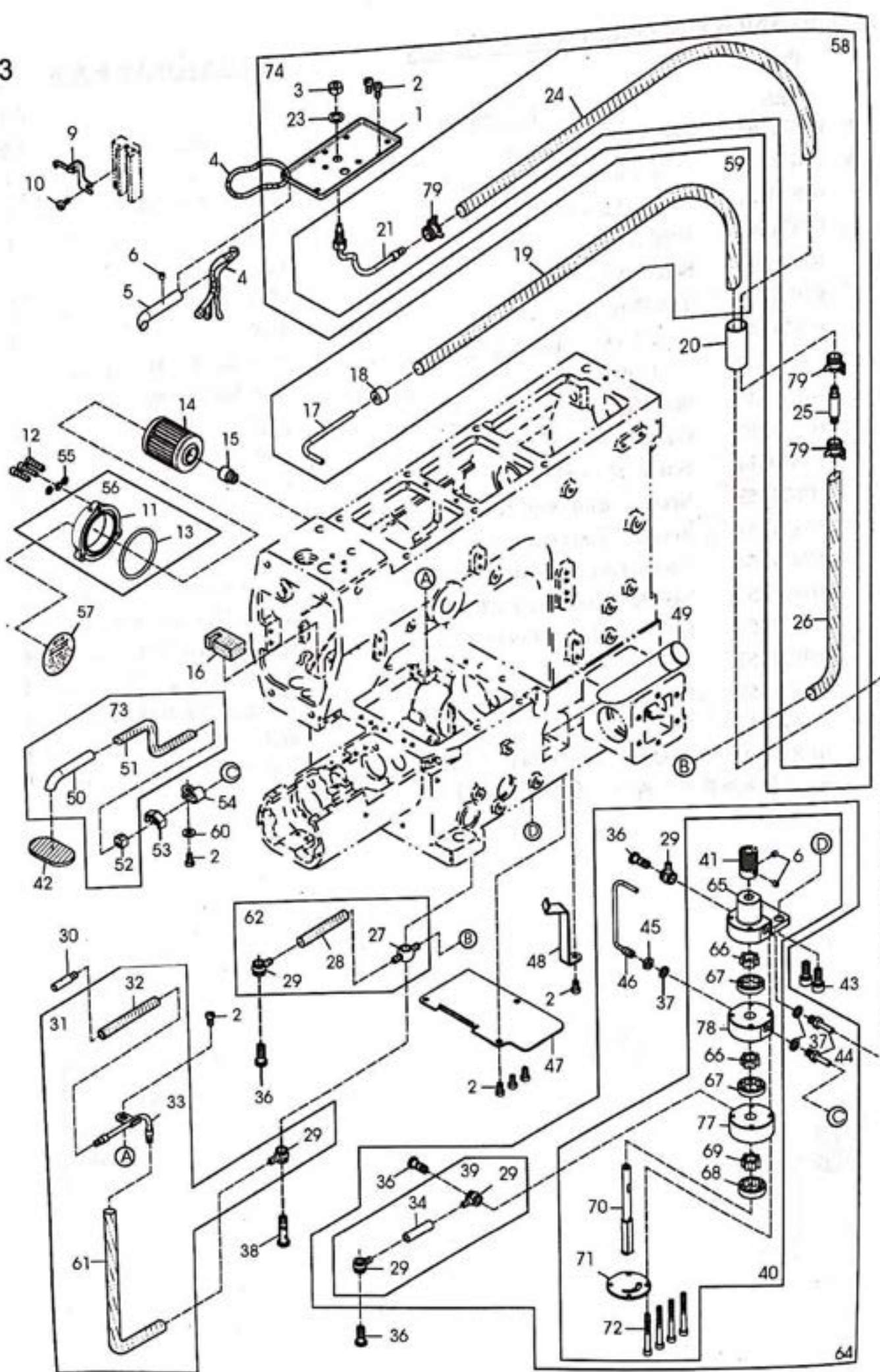
NEEDLE GUARD & FEED DRIVING MECHANISM

頂針片及送料具驅動機構

12

Ref. No.	Parts No.	Description	品名	Amt. Req.
41	★ 07871241	Differential Feed Dog	差動齒.....	1
42	★ 07871242	Differential Feed Dog (Middle)	差動齒(中間小齒).....	1
43	07870221	Screw (M2.6-0.45x5).....	螺絲.....	1
44	07871244	Feed Bar Guide.....	送料具導塊.....	1
45	07870623	Screw (M4-0.7x12).....	螺絲.....	2
46	07871246	Seal Plug.....	封塞.....	1
47	07871247	Feed Rocker Shaft (Left).....	送料具搖臂主軸.....	1
48	07871248	Feed Lift Shaft.....	送料具提升主軸.....	1
49	07871249	Seal Plug.....	封塞.....	1
50	07871250	Collar (11x18x11mm).....	軸環.....	4
51	07870214	Screw (M6-1x4).....	螺絲.....	8
52	07871252	Needle Guard (Rear) Lever C.Set.....	頂針片(後)撥叉組.....	1
53	07871253	Needle Guard (Front).....	頂針片(前)偏心輪組.....	1
54	07871254	Needle Guard (Front) Lever C.Set.....	頂針片(前)撥叉組.....	1
55	07871255	Needle Guard (Front) Holder C.Set.....	頂針片(前)固定座組.....	1
56	07871256	Differential Feed Rocker C.Set.....	送料具差動搖臂組.....	1
57	07871257	Main Feed C.Set.....	主送料具組.....	1
58	07871258	Feed Rocker Shaft C.Set.....	送料具搖臂主軸組.....	1
59	07871259	Oil Wick.....	油蕊.....	1
60	07871260	Feed Lift Shaft C.Set.....	送料具提升主軸組.....	1

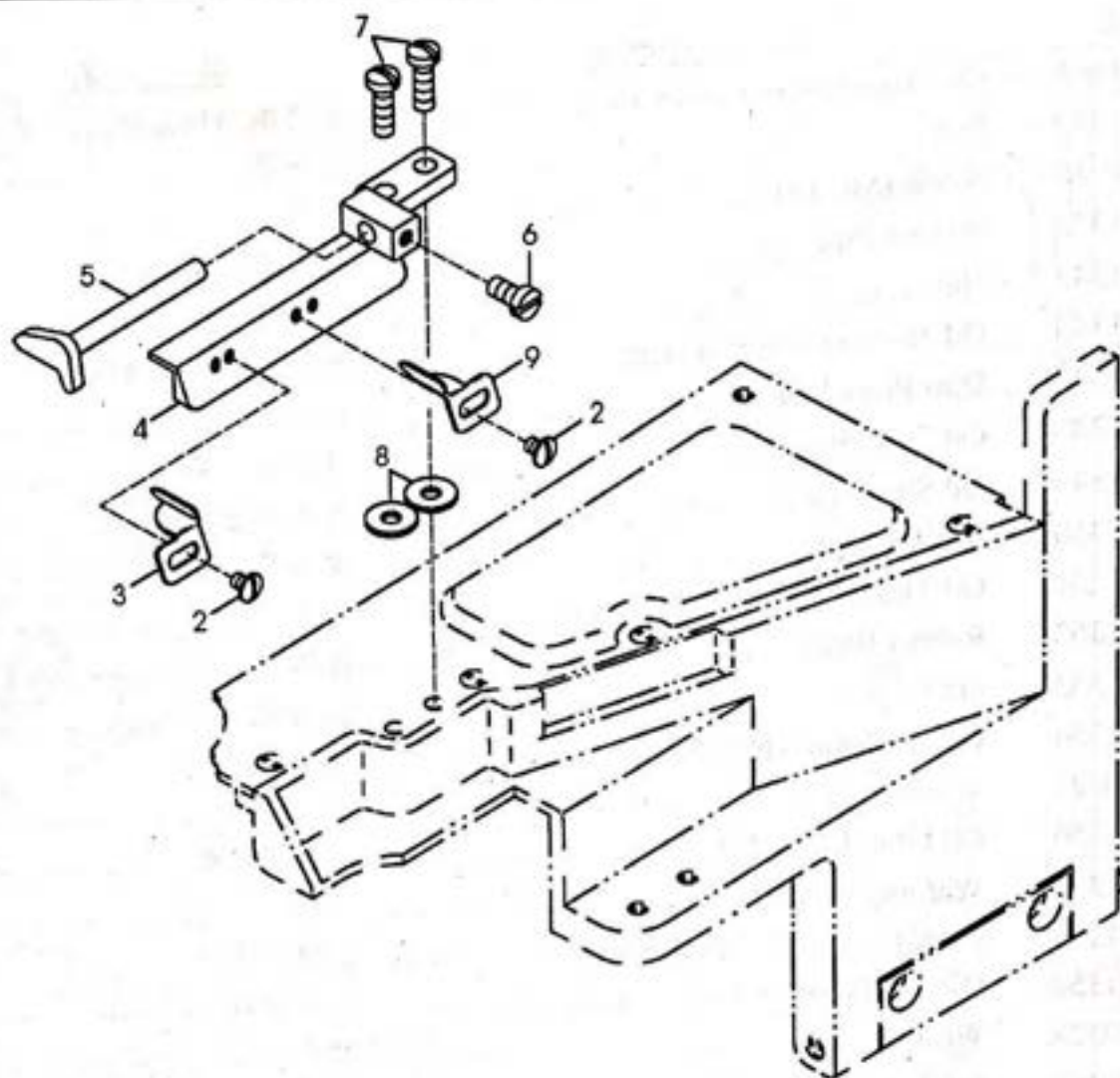
★請參照附件一、附件二【標準規格件】



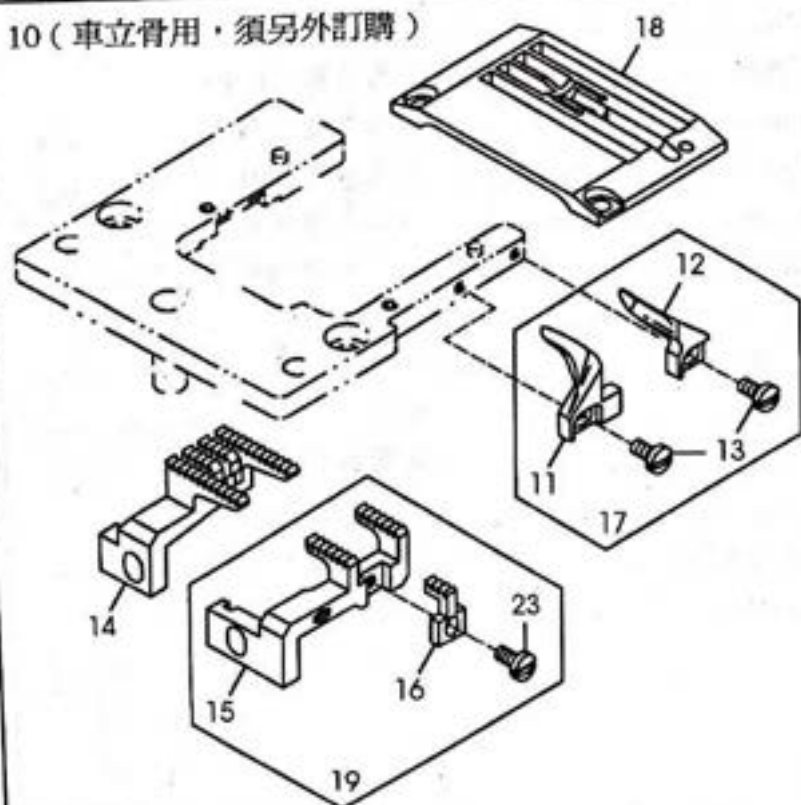
LUBRICATING MECHANISM

Ref. No.	Parts No.	Description	潤滑機構 品名	13 Amt. Req.
1	07871301	Oil Receiver.....	潤滑油接收盤.....	1
2	07870125	Screw (M4-0.7x8).....	螺絲.....	8
3	07871303	Nut.....	螺帽.....	1
4	07871304	Oil Wick.....	油蕊.....	2
5	07871305	Needle Bar Connecting Rod Oil Pipe.....	針棒連桿軸承給油管.....	1
6	07870229	Screw (M4-0.7x4).....	螺絲.....	3
9	07871309	Oil Wick Holder.....	油蕊固定座.....	1
10	07870702	Screw (9/64-40x8).....	螺絲.....	1
11	07871311	Oil Filter Cap.....	濾油器蓋.....	1
12	07871312	Screw (11/64-40x16).....	螺絲.....	3
13	07871313	O-ring (P42).....	O環.....	1
14	07871314	Oil Filter.....	濾油器.....	1
15	07871315	Oil Filter Connector (3/8-28x6).....	濾油器連接管.....	1
16	07871316	Felt.....	吸油棉.....	1
17	07871317	Suction Pipe.....	迴油管.....	1
18	07871318	Suction Pipe Bushing.....	迴油管襯套.....	1
19	07871319	Oil Tube (3x5x440mm).....	油管.....	1
20	07871320	Draining Pipe.....	油路套管.....	1
21	07871321	Oil Sight Top Nozzle.....	外視油量上噴嘴.....	1
23	07870547	Washer.....	墊片.....	1
24	07871324	Oil Tube (4x6x30mm).....	油管 (4x6x30mm).....	1
25	07871325	Non-Return Valve Unit.....	止回閥.....	1
26	07871326	Oil Tube (4x6x315mm).....	油管 (4x6x315mm).....	1
27	07871327	Oil Tube Joint, Two Way.....	油管接頭(雙向).....	1
28	07871328	Oil Tube (4x6x35mm).....	油管 (4x6x35mm).....	1
29	07871329	Oil Tube Joint, One Way.....	油管接頭(單向).....	5
30	07871330	Lower Shaft Oiling Outlet.....	筒臂轉軸部噴油頭.....	1
31	07871331	Oil Tube (Middle), Complete Set.....	油管(中段)總成.....	1
32	07871332	Oil Tube (4x6x50mm).....	油管 (4x6x50mm).....	1
33	07871333	Lower Shaft Oiling Shower.....	筒臂勾針軸部噴油孔.....	1
34	07871334	Oil Tube (4x6x30mm).....	油管 (4x6x30mm).....	1
36	07871336	Fitting Stud (Short)(1/4-40x16).....	放油螺絲(短).....	4
37	07871337	Gasket.....	密合墊片.....	3
38	07871338	Fitting Stud (Long)(1/4-40x27).....	放油螺絲(長).....	1
39	07871339	Oil Tube (Short), Complete Set.....	油管組(短).....	1
40	07871340	Oil Pump, Complete Set.....	油泵組.....	1

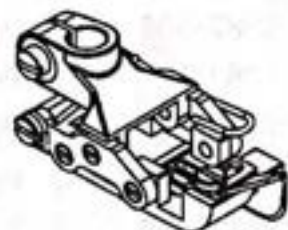
Ref. No.	Parts No.	Description	品名	Amt. Req.
41	07871341	Oil Pump Driving Worm Gear.....	油泵驅動蝸齒組.....	1
42	07871342	Felt.....	吸油棉.....	1
43	07870915	Screw (M6-1×16).....	螺絲.....	2
44	07871344	Suction Pipe.....	吸油管.....	2
45	07871345	Nut.....	螺帽.....	1
46	07871346	Oil Nozzle for Worm Gear.....	驅動蝸齒組噴油嘴.....	1
47	07871347	Dust Proof Plate.....	防塵蓋.....	1
48	07871348	Oil Tube Stay.....	油管固定架.....	1
49	07871349	Oil Sight Gauge.....	外視油量計.....	1
50	07871350	Suction Pipe.....	迴油管.....	1
51	07871351	Oil Tube.....	油管.....	1
52	07871352	Rubber Block.....	橡膠塊.....	1
53	07871353	Oil Screen.....	濾油網.....	1
54	07871354	Cable Clamp (UC-0.5).....	配線固定紐.....	1
55	07870721	Washer.....	墊片.....	3
56	07871356	Oil Filter Cap C.Set.....	濾油器蓋組.....	1
57	07871357	Warning Sticker.....	貼紙.....	1
58	07871358	Oil Sight Top Nozzle C.Set.....	上噴油管組.....	1
59	07871359	Suction Pipe C.Set.....	迴油管組.....	1
60	07870323	Washer.....	墊片.....	1
61	07871361	Oil Tube.....	油管.....	1
62	07871362	Oil Tube Joint, Two Way C.Set.....	雙向油管接頭組.....	1
64	07871364	Oil Pump Frame C.Set.....	油泵本體組.....	1
65	07871365	Oil Pump Frame (Upper).....	油泵本體(上座).....	1
66	07871366	Oil Pump Frame Pinion.....	油泵本體內轉子.....	2
67	07871367	Oil Pump Frame Pinion.....	油泵本體內轉子.....	2
68	07871368	Oil Pump Frame Pinion.....	油泵本體內轉子.....	1
69	07871369	Oil Pump Frame Pinion.....	油泵本體內轉子.....	1
70	07871369	Oil Pump Frame Pinion.....	油泵主軸.....	1
71	07871370	Oil Pump Shaft.....	下座蓋.....	1
72	07871371	Lower Cover.....	螺絲.....	4
73	07871372	Screw (M4-0.7×39.8).....	油管組件.....	1
74	07871373	Oil Tube C.Set.....	潤滑油接收盤組.....	1
77	07871374	Oil Receiver C.Set.....	油泵本體(下座).....	1
78	07871377	Oil Pump Frame (Lower).....	油亭本體(中座).....	1
79	07871378	Oil Pump Frame (Middle).....	管束.....	3
	07871379	Tube Clamp.....		



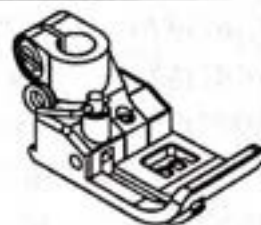
10 (車立骨用・須另外訂購)



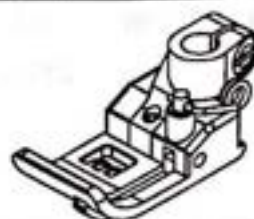
20



21



22

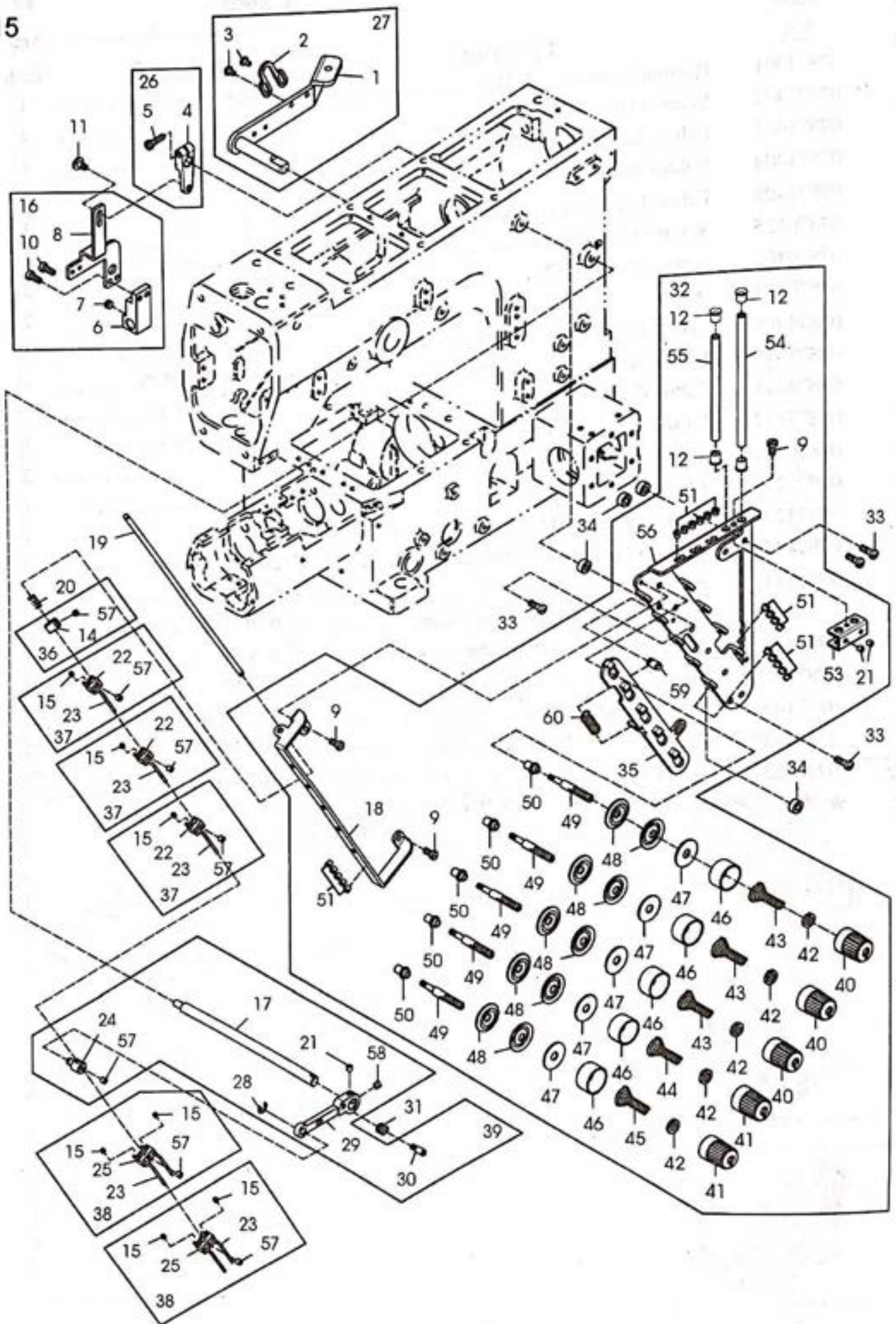


EXCLUSIVE PARTS

專用配件 14

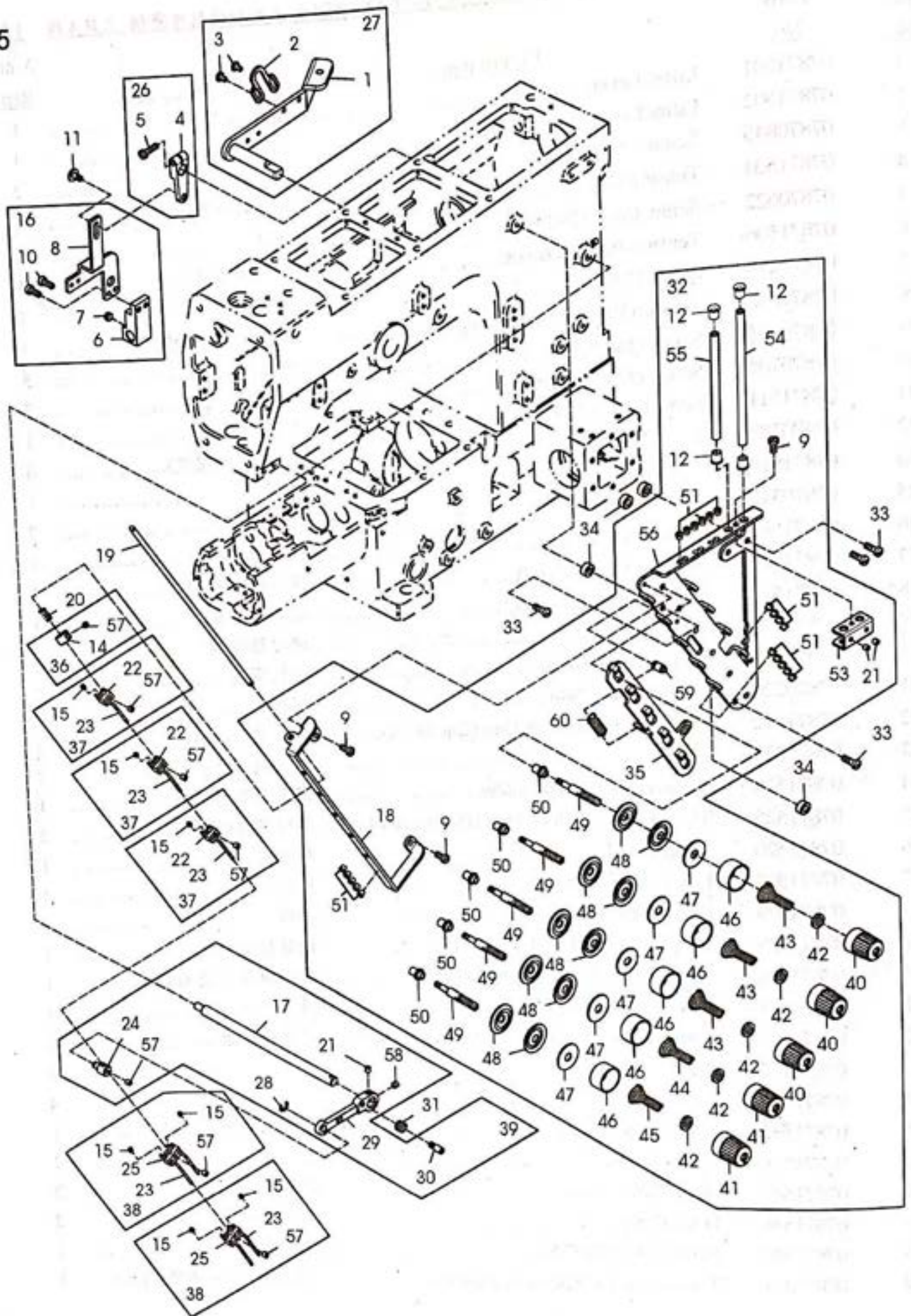
Ref. No.	Parts No.	Description	品名	Amt. Req.
1	07871401	Bottom Hemming Folder.....	折下擺組.....	1
2	07871402	Screw (1/8-44x4).....	螺絲.....	2
3	07871403	Fabric Edge Guide (Left).....	左擋邊.....	1
4	07871404	Folder Stand.....	折下擺座.....	1
5	07871405	Fabric Edge Guide (Right).....	右擋邊.....	1
6	07870125	Screw (M4-0.7x8).....	螺絲.....	1
7	07870102	Screw (M4-0.7x12).....	螺絲.....	2
8	07870323	Washer.....	墊片.....	2
9	07871409	Fabric Edge Guide (Right & Small).....	小右擋邊.....	1
10	07871410	Gauge Set For Covering Seam.....	立骨布導器配件組.....	1
11	07871411	Fabric Guide (Left).....	立骨布導器(左).....	1
12	07871412	Fabric Guide (Right).....	立骨布導器(右).....	1
13	07870221	Screw (M2.6-0.45x5).....	螺絲.....	2
14	07871239	Main Feed Dog	主齒.....	1
15	07871241	Differential Feed Dog	差動齒.....	1
16	07871416	Differential Feed Dog (Middle).....	小齒.....	1
17	07871417	Frabic Guide C.Set.....	立骨布導器組.....	1
18	★	Needle Plate For Covering Seam.....	立骨用針板.....	1
19	07871419	Differential Feed Dog C.Set.....	差動齒組.....	1
20	07871420	Presser Foot.....	戰車押腳.....	1
21	07871421	Presser Foot (Left).....	左擋邊押腳.....	1
22	07871422	Presser Foot (Ringt).....	右擋邊押腳.....	1
23	07870221	Screw (M2.6-0.45x5).....	螺絲.....	1

★請參照附件一、附件二【標準規格件】



AUTO TRIMMER THREAD PULL-OFF MECHANISM-3NEEDLE 自動切線鬆線機構-三針五線 15

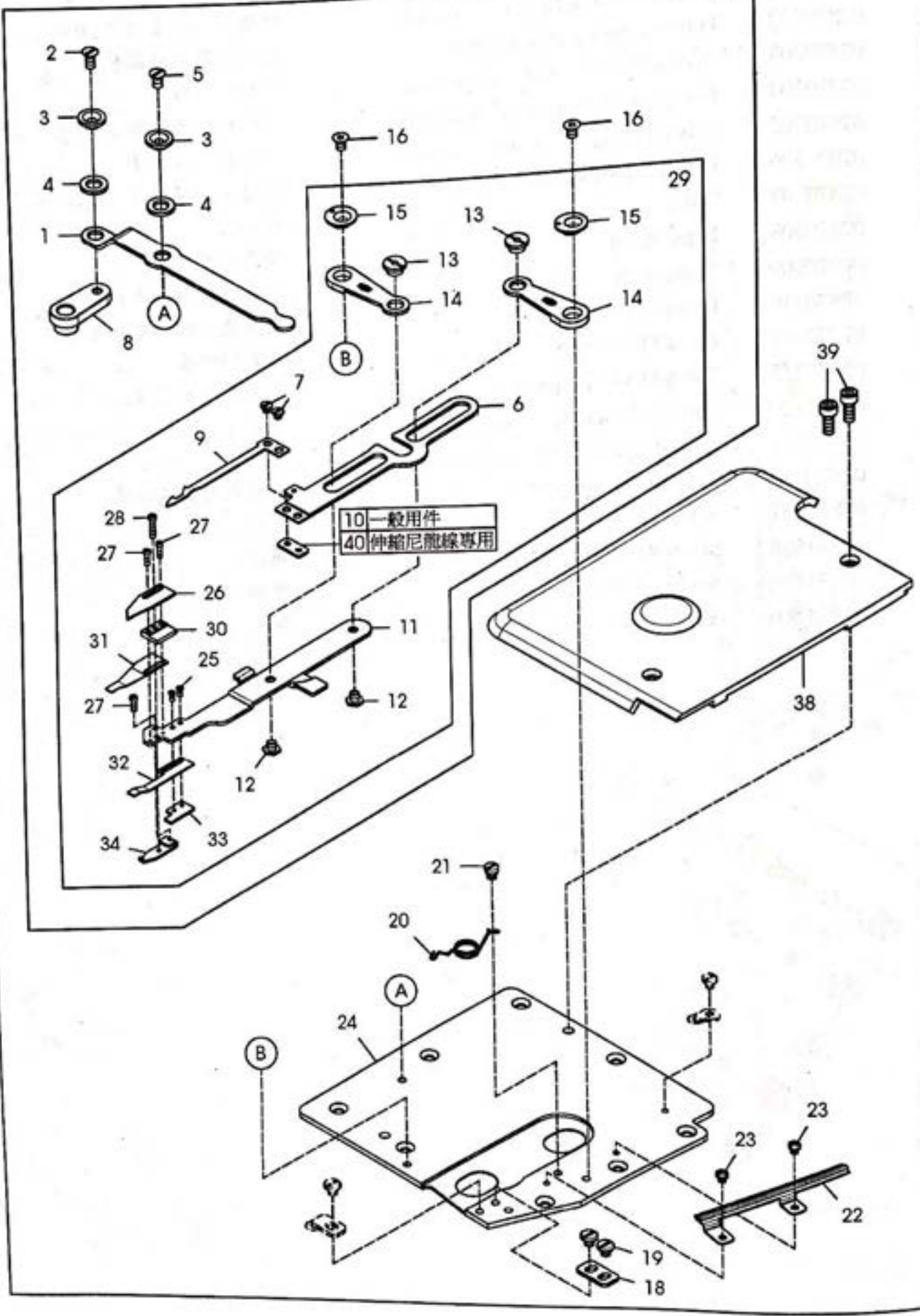
Ref. No.	Parts No.	Description	品名	Amt. Req.
1	07871501	Lifter Lever.....	壓腳拉桿.....	1
2	07871502	Lifter Lever Stop.....	拉桿止架.....	1
3	07870845	Screw (9/64-40x6).....	螺絲.....	2
4	07871504	Tension Release Lever.....	張力釋放槓桿.....	1
5	07870622	Screw (M4-0.7x14).....	螺絲.....	1
6	07871506	Tension Release Block.....	張力釋放滑塊.....	1
7	07870214	Screw (M6-1x4).....	螺絲.....	1
8	07871508	Tension Release Connecting Plate.....	張力釋放連接壓板.....	1
9	07870125	Screw (M4-0.7x8).....	螺絲.....	3
10	07870706	Screw (M4-0.7x10).....	螺絲.....	2
11	07871511	Screw(M4-0.7x4.5).....	螺絲.....	1
12	07400383	Thread Eyelet.....	過線陶瓷(深灰).....	4
14	07871514	Collar.....	軸環.....	1
15	07870319	Screw (1/8-44x3).....	螺絲.....	7
16	07871516	Tension Plate C.Set.....	張力壓板組.....	1
17	07871517	Tension Release Shaft.....	張力釋放轉軸.....	1
18	07871518	Thread Pull-off Eyelet.....	過線鬆線架.....	1
19	07871519	Thread Pull-off Bar.....	過線鬆線桿.....	1
20	07871520	Swing-Proof Spring.....	防震彈簧.....	1
21	07870229	Screw (M4-0.7x4).....	螺絲.....	3
22	07871522	Thread Pull-off Hook Unit (One Hook).....	鬆線鈎組(單腳).....	3
23	07871523	Hook.....	鬆線鈎.....	7
24	07871524	Thread Pull-off Bar Holder.....	過線鬆線桿固定座.....	1
25	07871525	Thread Pull-off Hook Unit (Double Hook).....	鬆線鈎組(雙腳).....	2
26	07871526	Lever Fixed.....	槓桿固定組.....	1
27	07871527	Lifter Lever C.Set.....	壓腳拉桿組.....	1
28	07871528	Retaining Ring.....	扣環.....	1
29	07871529	Thread Pull-off Lever.....	過線鬆線拉柄.....	1
30	07871530	Tension Release Adjusting Eccentric.....	張力釋放調整偏心輪.....	1
31	07871531	Spring.....	彈簧.....	1
32	07871532	Thread Eyelet Tension C.Set.....	過線張力組.....	1
33	07870102	Screw (M4-0.7x12).....	螺絲.....	4
34	07871534	Spacer.....	隔片.....	4
35	07871535	Tension Disc Separator.....	過線張力盤分離架.....	1
36	07871536	Collor C.Set.....	軸環組.....	1
37	07871537	Hook C.Set.....	鬆線鈎組.....	3
38	07871538	Hook C.Set.....	鬆線鈎組.....	2
39	07871539	Hook C.Set.....	鬆線拉柄組.....	1
39	07871539	Pull-Off Handle C.Set.....	上線張力彈簧調整鈕(藍)....	3
40	07870301	Thread Tension Spring Cap (Blue).....		



AUTO TRIMMER THREAD PULL-OFF MECHANISM-3NEEDLE 自動切線鬆線機構-三針五線 **15**

Ref.	Parts			Amt.
No.	No.	Description	品名	Req.
41	07870343	Thread Tension Spring Cap (Red).....	上線張力彈簧調整鈕(紅)....	2
42	07870302	Tension Spring Disc Support.....	張力彈簧調整圓盤.....	5
43	07870303	Needle Thread Tension Spring.....	針線張力彈簧.....	3
44	07870304	Top Cover Thread Tension Spring.....	上飾線張力彈簧.....	1
45	07870305	Looper Thread Tension Spring.....	下勾針張力彈簧.....	1
46	07870306	Thread Tension Spring Retainer.....	上線張力彈簧固定座.....	5
47	07870307	Felt.....	氈墊.....	5
48	07870308	Tension Disc.....	張力調整盤.....	10
49	07870309	Tension Post.....	上線張力彈簧支柱.....	5
50	07870310	Tension Post Ferrule.....	上線張力彈簧支柱套圈.....	5
51	07870317	Thread Eyelet.....	陶瓷過線孔.....	20
53	07870313	Thread Eyelet Pipe Stay.....	過線導管固定座.....	1
54	07870320	Thread Eyelet Pipe (Long).....	過線導管(長).....	1
55	07870321	Thread Eyelet Pipe (Short).....	過線導管(短).....	1
56	07870312	Tension Post Support.....	上線張力組支柱座.....	1
57	07871557	Screw (M4-0.7×3).....	螺絲.....	7
58	07871558	Screw (M4-0.7×4.5).....	螺絲.....	1
59	07871559	Screw (M4-0.7×2.5).....	螺絲.....	1
60	07871560	Spring.....	彈簧.....	1

36



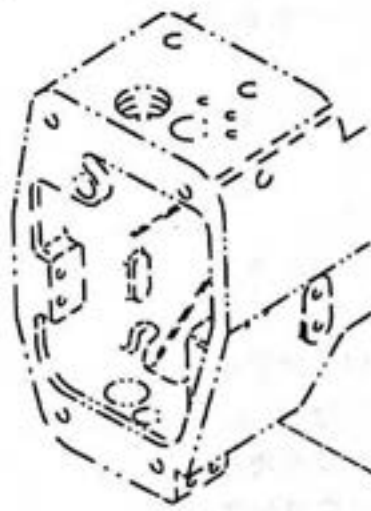
BOTTOM TRIMMER MECHANISM

底線切線刀機構

16

Ref. No.	Parts No.	Description	品名	Amt. Req.
1	07871601	Lower Knife Driving Lever.....	下切刀驅動連桿.....	1
2	07871602	Screw (M4-0.7×8.5).....	螺絲.....	1
3	07871603	Lower Knife Driving Lever Ring.....	驅動連桿護環.....	2
4	07871604	Washer.....	墊片.....	2
5	07870203	Screw (M4-0.7×7).....	螺絲.....	1
6	07871606	Lower Knife Carrier.....	下切刀托架.....	1
7	07871607	Screw (M3-0.5×2.5).....	螺絲.....	2
8	07871608	Connecting Plug.....	下切刀插接頭.....	1
9	07871609	Lower Moving Knife.....	下活動刀.....	1
10	07871610	Lower Knife Holder.....	下切刀固定座.....	1
11	07871611	Upper Fixing Knife Carrier.....	上固定刀托架.....	1
12	07871612	Screw (M4-0.7×4).....	螺絲.....	2
13	07871613	Nut.....	螺帽.....	2
14	07871614	Knife Guide Lever.....	切刀導引搖臂.....	2
15	07871615	Knife Guide Lever Eccentric Ring.....	切刀導引搖臂偏心輪.....	2
16	07871616	Screw (M4-0.7×7).....	螺絲.....	2
18	07871618	Upper Knife Carrier Stop.....	上固定刀托架止板.....	1
19	07871619	Screw (M4-0.7×4).....	螺絲.....	2
20	07871620	Upper Knife Carrier Spring.....	上固定刀托架復進簧.....	1
21	07871621	Screw (M4-0.7×4).....	螺絲.....	1
22	07871622	Looper Thread Guide.....	底線過線護槽.....	1
23	07871009	Screw (M3-0.5×3).....	螺絲.....	2
24	07871624	Crank Chamber Cover.....	曲柄軸室蓋.....	1
25	07871625	Screw (M2-0.4×4).....	螺絲.....	2
26	07871626	Upper Fixing Knife.....	上固定刀.....	1
27	07871627	Screw (M2-0.4×6).....	螺絲.....	3
28	07871628	Screw (M2-0.4×10).....	螺絲.....	1
29	07871629	Lower Knife Frame C.Set.....	下切刀本體組.....	1
30	07871630	Upper Fixing Guide.....	上固定刀導引架.....	1
31	07871631	Clamp Spring.....	夾緊彈簧片.....	1
32	07871632	Clamp Spring Pressure.....	夾緊壓力彈簧刀片.....	1
33	07871633	Clamp Spring Pressure Holder.....	夾緊壓力彈簧固定座.....	1
34	07871634	Clamp Spring Pressure Adjusting Piece.....	壓力彈簧調整片.....	1
36	07871636	Lower Knife C.Set.....	下切刀組.....	1
37	07871637	Lower Knife Assembly.....	下切刀總成.....	1
38	07871638	Cloth Plate (Electrical Type).....	縫製平台(電切).....	1
39	07870202	Screw (M4-0.7×10).....	螺絲.....	2
40	07871640	Lower Knife Holder (For Elastic Nylon Line)...	下切刀固定座(伸縮尼龍線專用)...	1

18



39

45

44

48

41

51

49

17

4

5

2

2

7

6

8

9

10

3

46

47

42

12

13

15

16

14

11

50

38

25

19

20

21

29

22

23

24

26

27

28

30

34

36

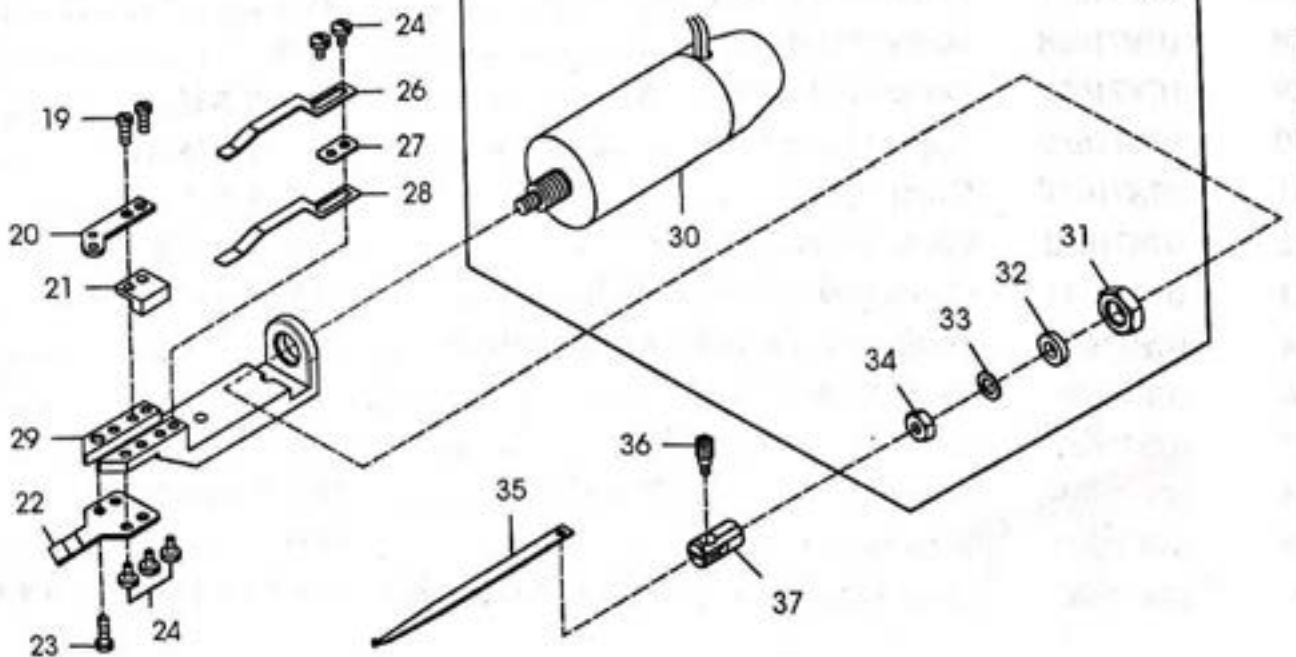
35

37

32

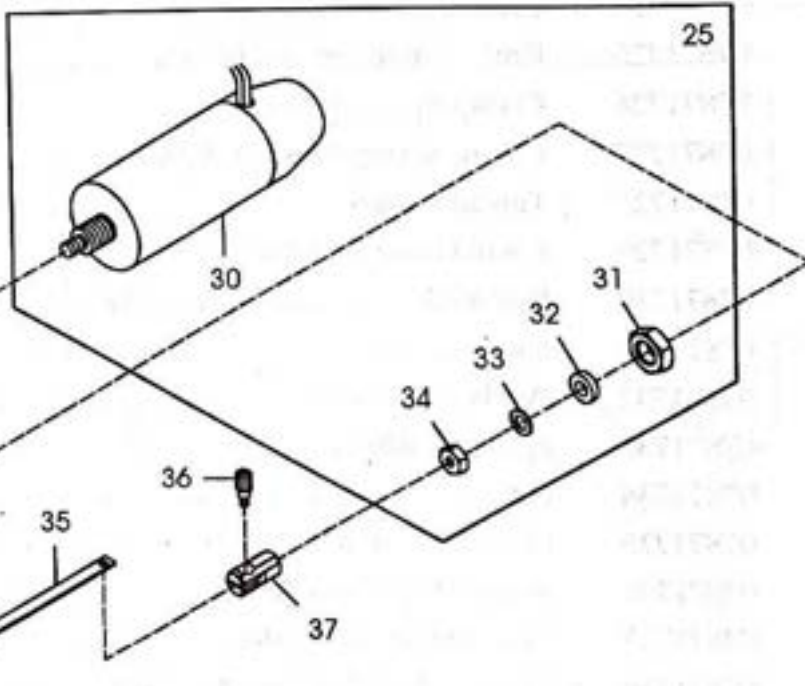
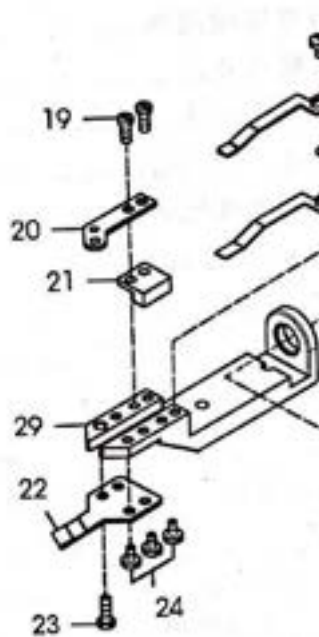
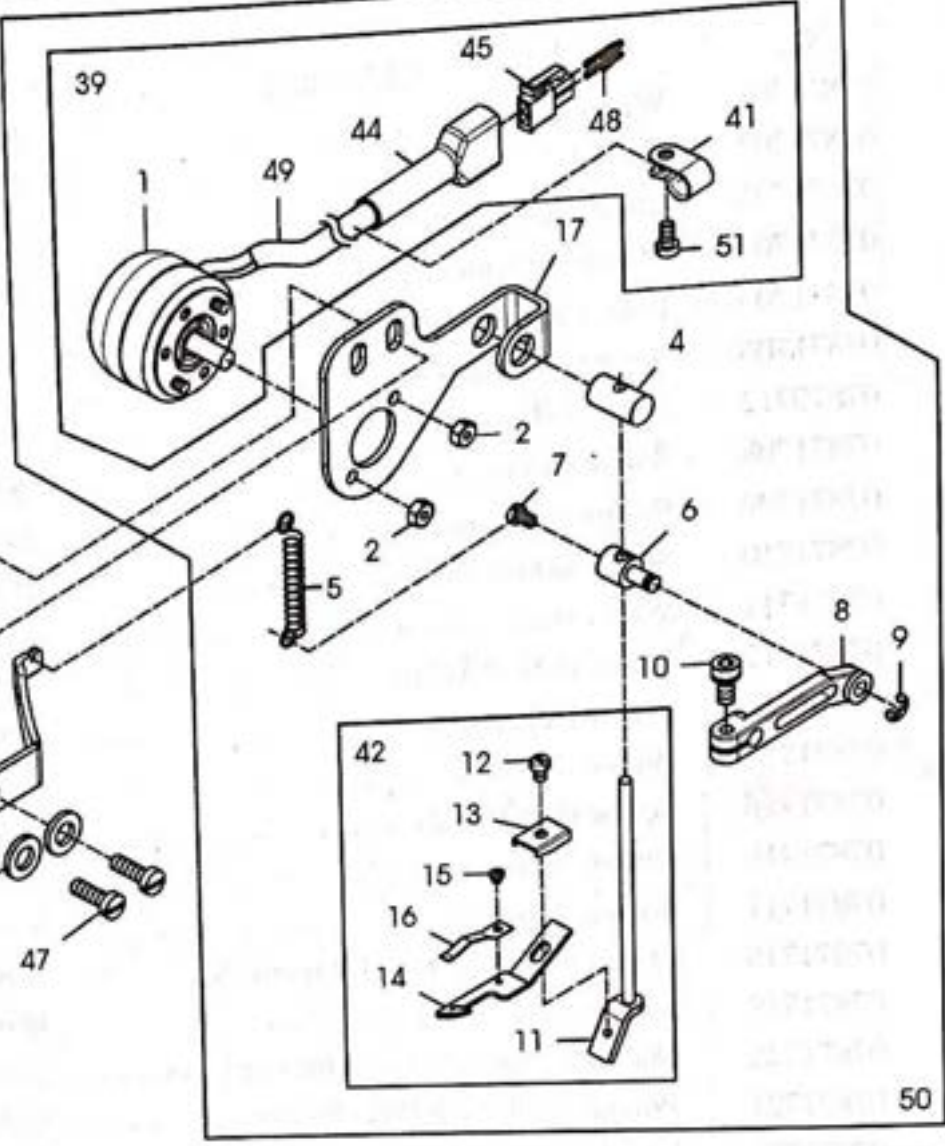
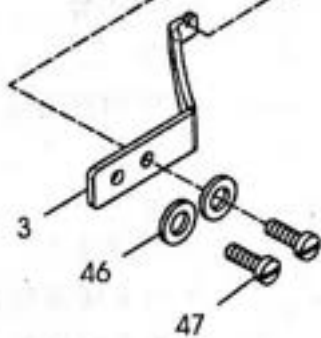
33

31



ELECTRICAL TYPE TOP THREAD WIPER & TRIMMER MECHANISM 電磁式上撥線及切線機構 17

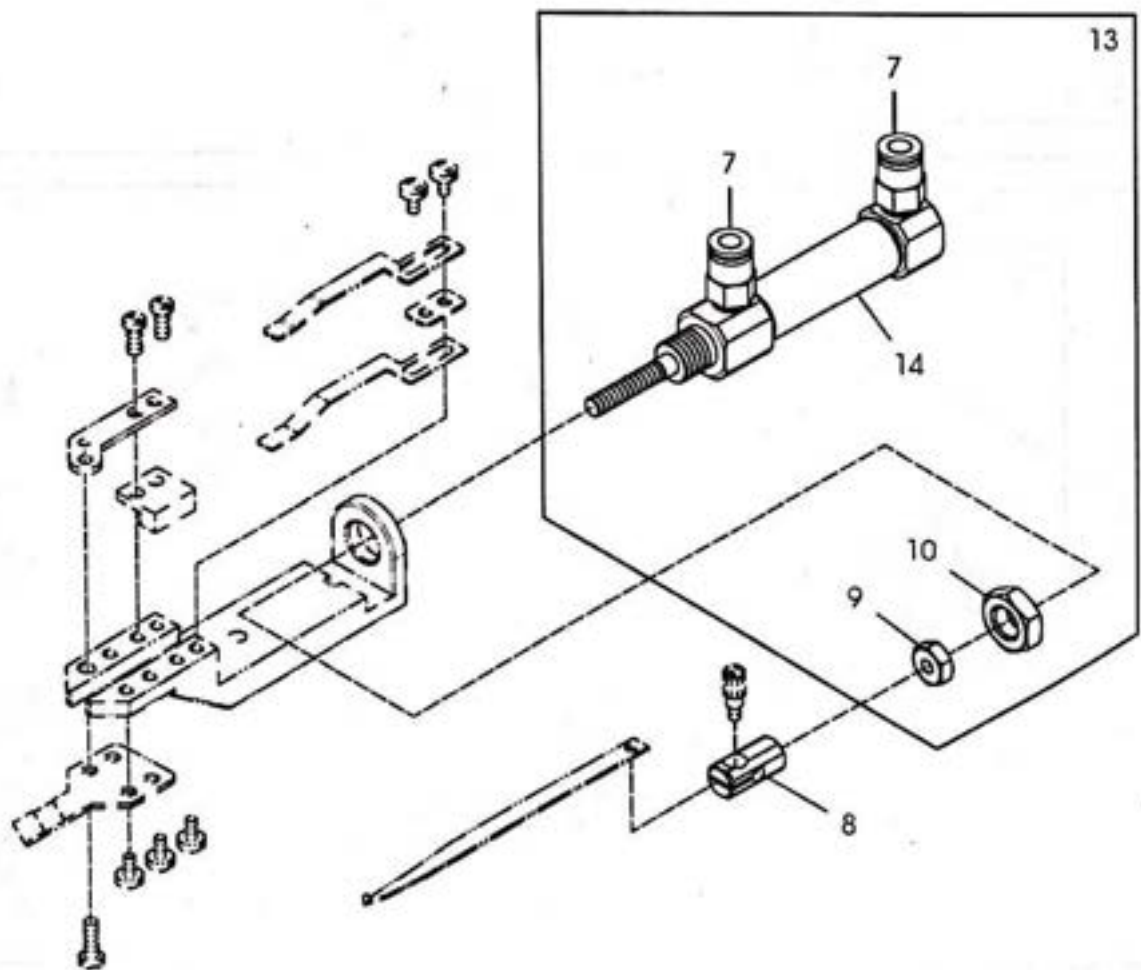
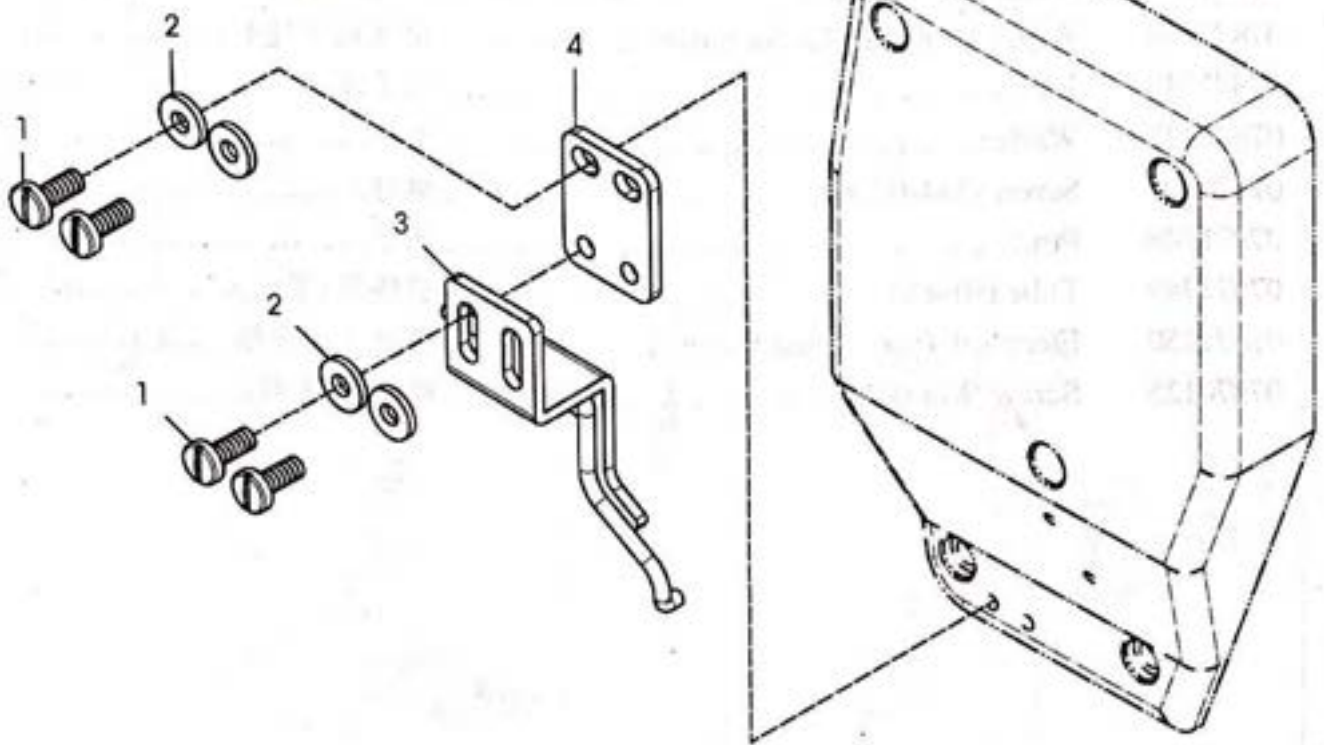
Ref. No.	Parts No.	Description	品名	Amt. Req.
1	07871701	Wiper Solenoid.....	撥線電磁閥.....	1
2	07871702	Nut.....	螺帽.....	2
3	07871703	Buffer Spring Bracket.....	緩衝彈簧吊架.....	1
4	07871704	Wiper Bar Guide.....	撥線搖臂導塊.....	1
5	07871705	Buffer Spring.....	緩衝彈簧.....	1
6	07871706	Solenoid Lever Pin.....	電磁閥搖臂插銷.....	1
7	07870712	Screw (M3-0.5x5).....	螺絲.....	1
8	07871708	Solenoid Lever.....	電磁閥搖臂.....	1
9	07871709	Retaining Ring.....	扣環.....	1
10	07871710	Screw (M4-0.7x8).....	螺絲(內六角).....	1
11	07871711	Wiper Bar.....	撥線搖臂.....	1
12	07871712	Screw (M3-0.5x4).....	螺絲.....	1
13	07871713	Wiper Holder.....	撥線鉤固定座.....	1
14	07871714	Wiper.....	撥線鉤.....	1
15	07871715	Screw (M2-0.4x2).....	螺絲.....	1
16	07871716	Clamp Spring.....	夾線彈簧片.....	1
17	07871717	Solenoid Bracket.....	撥線電磁閥托架.....	1
18	07871718	Electrical Type Thread Wiper C.Set.....	電磁式撥線組.....	1
19	07871719	Screw (3/32-56x6).....	螺絲.....	2
20	07871720	Clamp Spring Pressure Adjusting Piece.....	上切刀壓力調整片.....	1
21	07871721	Pressure Adjusting Piece Spacer.....	壓力調整隔片.....	1
22	07871722	Fixed Trimming Knife.....	上切刀固定刀.....	1
23	07871723	Screw (3/32-56x8).....	螺絲.....	1
24	07870426	Screw (3/32-56x4).....	螺絲.....	5
25	07871725	Knife Guide Solenoid C.Set.....	上切刀電磁閥組.....	1
26	07871726	Clamp Spring Pressure.....	夾線壓力片.....	1
27	07871727	Clamp Spring Pressure Spacer.....	夾線壓力隔片.....	1
28	07871728	Thread Clamp.....	夾線片.....	1
29	07871729	Thread Clamp.....	上切刀導槽托架.....	1
30	07871730	Knife Guide Bracket.....	電磁鐵.....	1
31	07871731	Solenoid.....	螺帽.....	1
32	07871732	Nut.....	墊片.....	1
33	07871733	Washer.....	彈簧墊片.....	1
34	07871734	Spring Washer.....	螺帽.....	1
35	07871735	Nut.....	上活動刀片.....	1
36	07871736	Movable Trimming Knife.....	螺絲.....	1
37	07871737	Screw (M2-0.4x4.5).....	上切刀台.....	1
38	07871738	Movable Knife Holder.....	電磁式上切線組.....	1
39	07871739	Electrical Type Top Trimmer C.Set.....	撥線電磁閥端子.....	1
		Wiper Solenoid Terminal.....		



ELECTRICAL TYPE TOP THREAD WIPER & TRIMMER MECHANISM 電磁式上撥線及切線機構

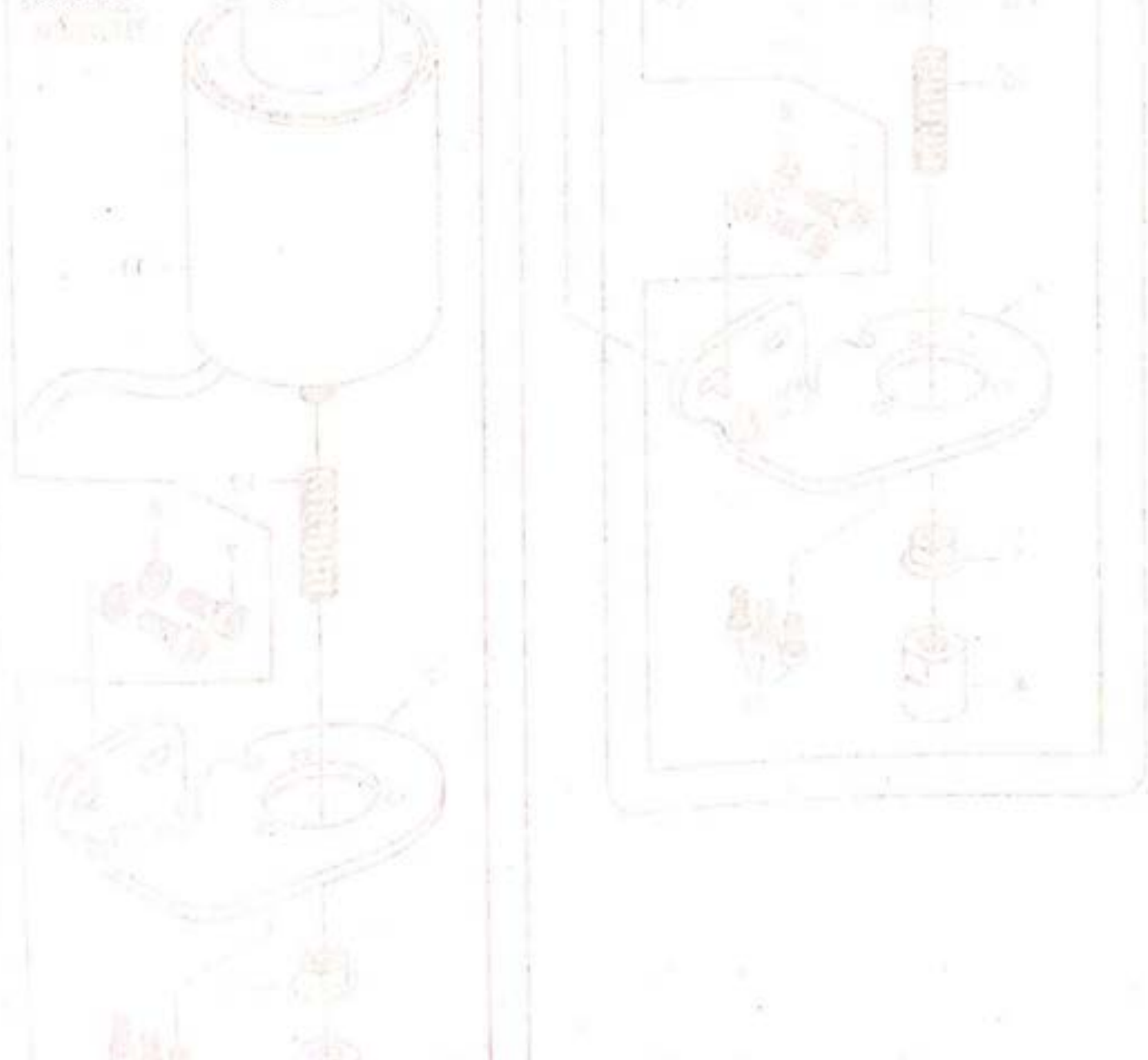
Ref. No.	Parts No.	Description	品名	Amt. Req.
41	07871741	Cable Clamp (UC-0.5).....	配線固定鈕.....	1
42	07871742	Wiper Bar C.Set.....	撥線搖臂組.....	1
43	07871744	Wiper Terminal Rubber Cover.....	撥線端子護套.....	1
44	07871745	Joint.....	端子座.....	1
45	07870323	Washer.....	墊片.....	2
46	07870102	Screw (M4-0.7×12)	螺絲.....	2
47	07871748	Pin.....	端子.....	2
48	07871749	Tube (Black).....	塑膠管(黑).....	1
49	07871750	Electrical Type Thread Wiper.....	電磁式上撥線.....	1
50	07870125	Screw (M4-0.7×8).....	螺絲(一字頭).....	1

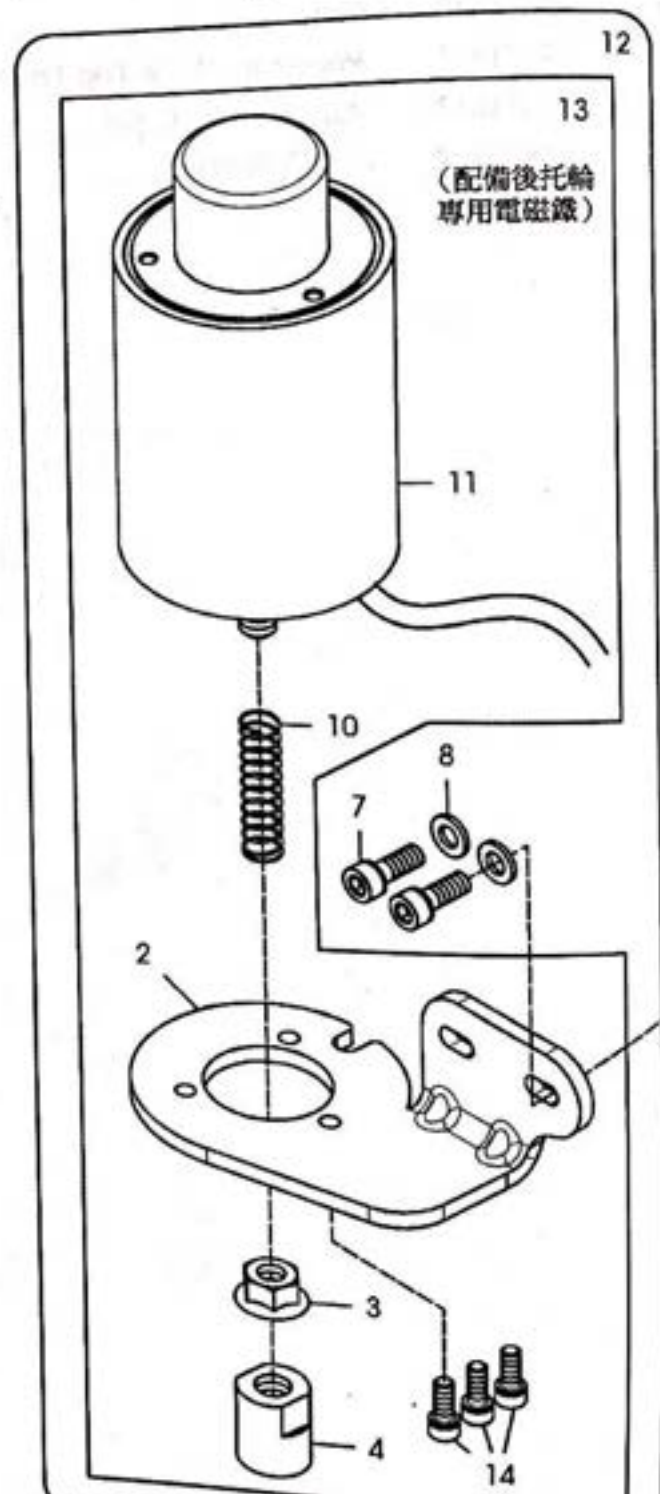
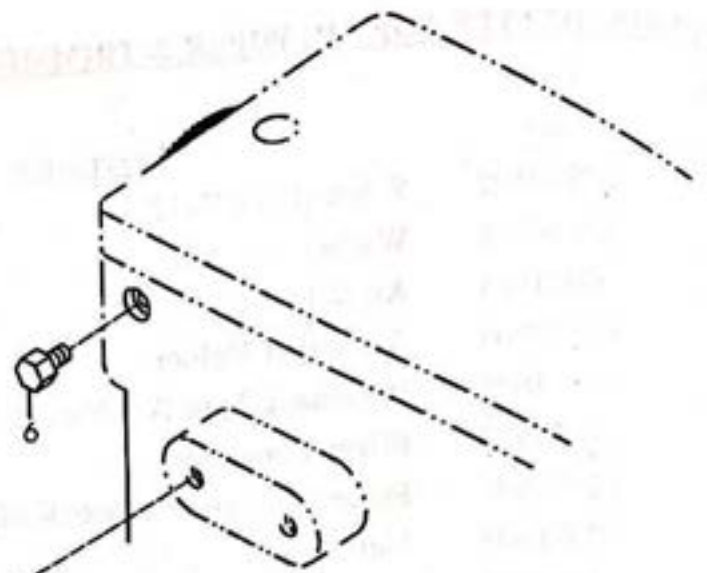
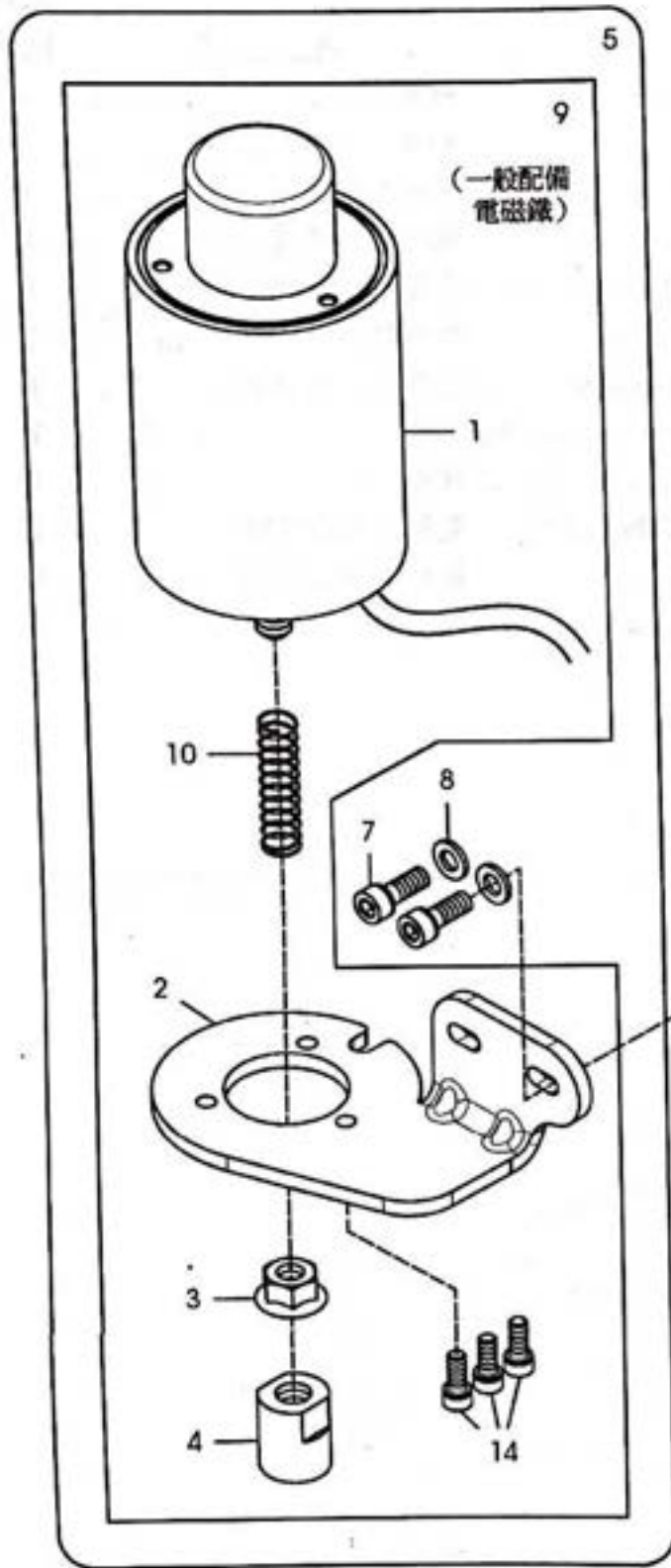




PNEUMATIC TYPE TOP AIR WIPER & TRIMMER MECHANIS 氣壓式上吹風撥線及切線機 18

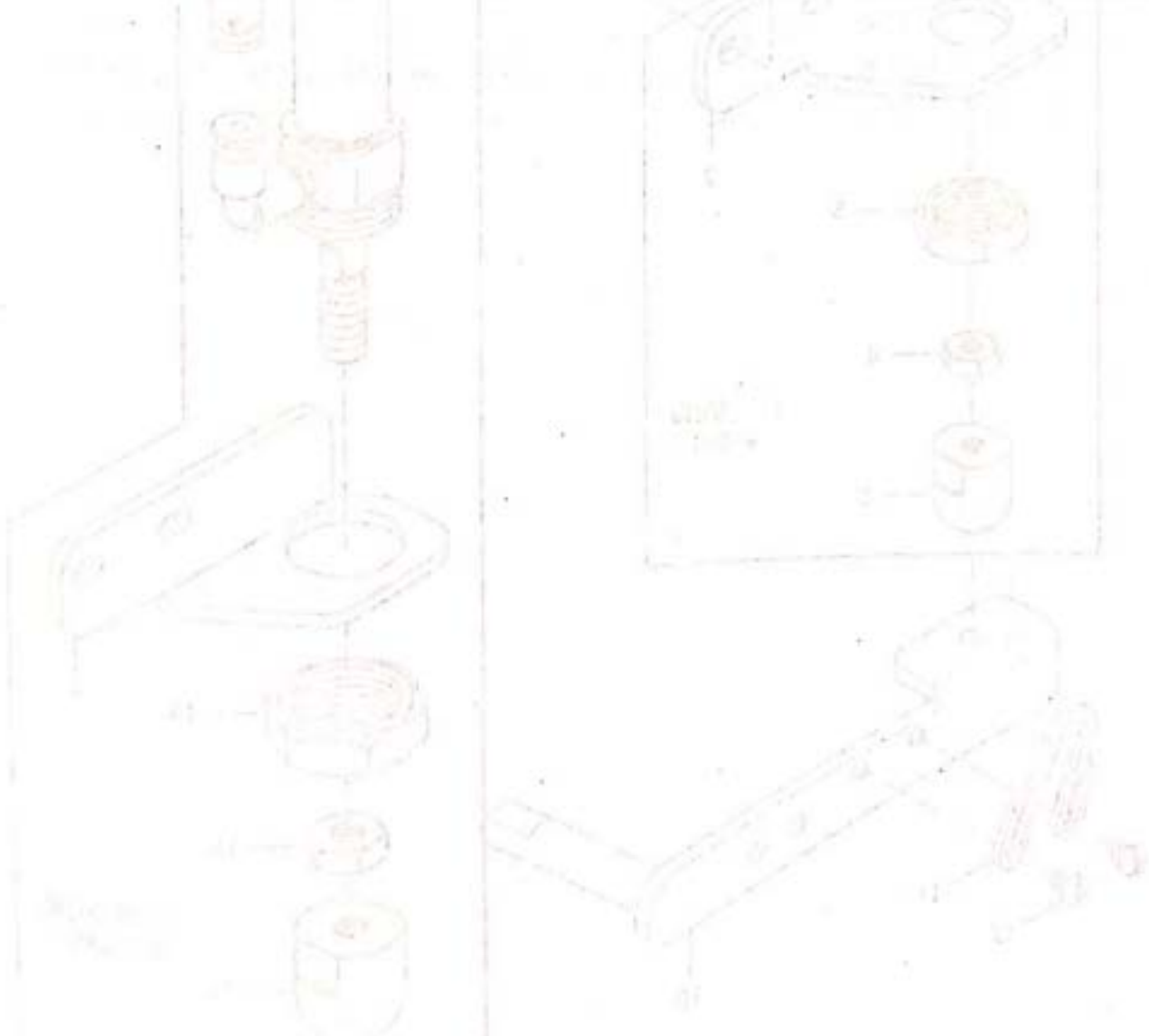
Ref. No.	Parts No.	Description	品名	Amt. Req.
1	07870102	Screw (M4-0.7×12).....	螺絲.....	4
2	07870323	Washer.....	墊片.....	4
3	07871803	Air Wiper.....	吹風撥線管.....	1
4	07871804	Air Wiper Holder.....	撥線管固定座.....	1
5	07871805	Pneumatic Type Air Wiper C.Set.....	氣壓式吹風撥線組.....	1
7	07871807	Elbow Connector.....	肘形接頭.....	2
8	07871808	Pneumatic Type Movable Knife Holder.....	氣壓式上切刀台.....	1
9	07871809	Nut.....	螺帽.....	1
10	07871810	Nut.....	螺帽.....	1
11	07871811	Pneumatic Type Top Trimmer C.Set.....	氣壓式上切刀組.....	1
13	07871813	Air Cylinder C.Set.....	氣缸組件.....	1
14	07871814	Air Cylinder.....	氣壓管.....	1

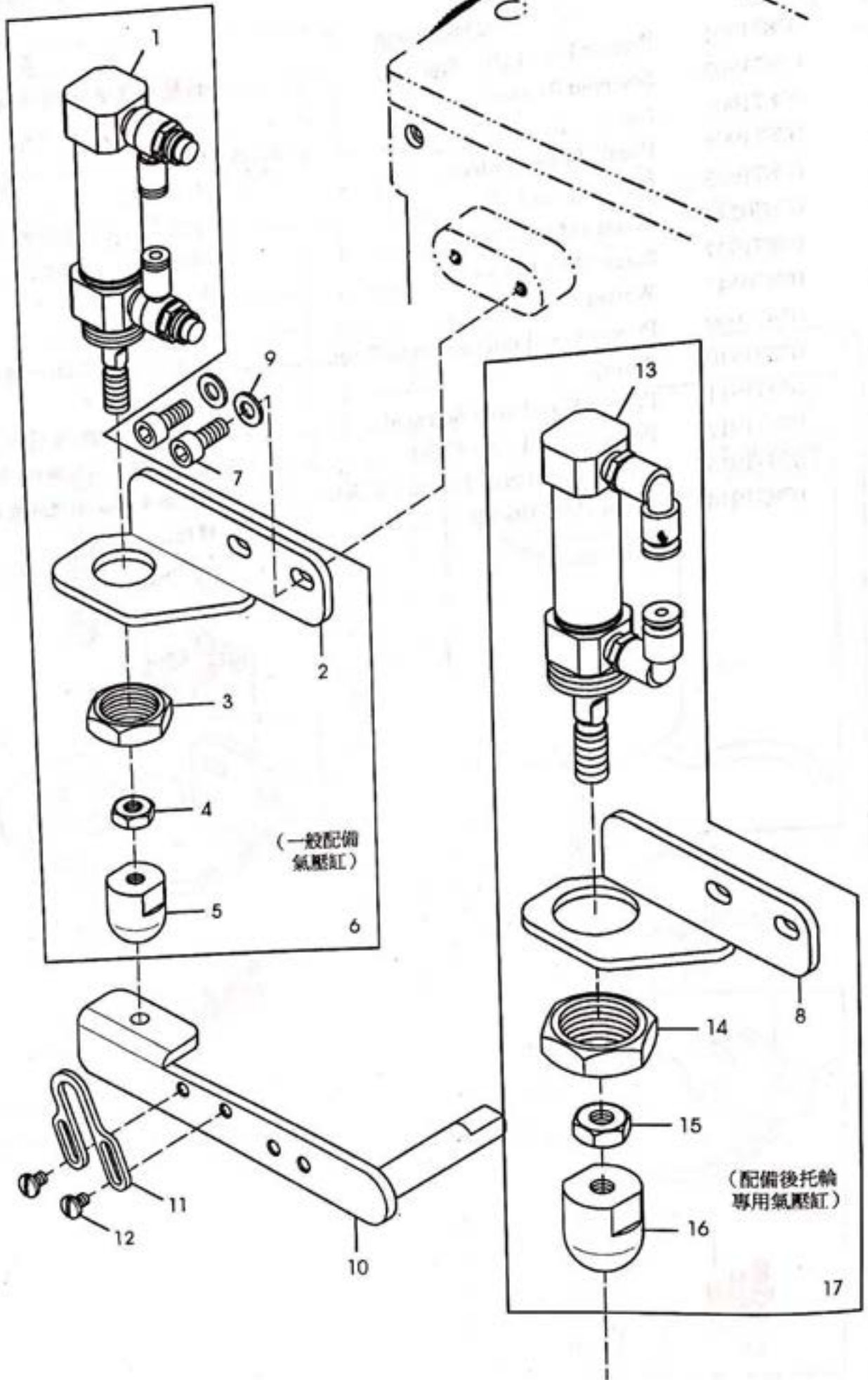




ELECTRICAL TYPE DIRECT DRIVING PRESSER FOOT LEFTER 電磁式直接驅動抬押腳組

Ref. No.	Parts No.	Description	品名	Amt. Req.
1	07871901	Presser Foot Lifter Solenoid.....	抬壓腳電磁鐵(強力型).....	1
2	07871902	Solenoid Bracket.....	電磁鐵吊架.....	1
3	07871903	Nut.....	螺帽.....	1
4	07871904	Plastic Pushing Block.....	塑膠推塊.....	1
5	07871905	Presser Foot Lifter C. Set.....	電磁直接式抬壓腳組(強力型)	1
6	07870245	Screw (M4-0.7x8).....	螺絲.....	1
7	07871907	Screw (M6-1.0x16).....	螺絲.....	2
8	07870547	Washer.....	墊片.....	2
9	07871909	Presser Foot Lifter Solenoid C. Set.....	抬壓腳電磁鐵組(一般配備).	1
10	07871910	Spring.....	定位緩衝壓簧.....	1
11	07871911	Presser Foot Lifter Solenoid.....	抬壓腳電磁鐵(普通形).....	1
12	07871912	Presser Foot Lifter C. Set.....	電磁直接式抬壓腳組(普通型)	1
13	07871913	Presser Foot Lifter Solenoid C. Set.....	抬壓腳電磁鐵組(後托輪專用)..	1
14	07871914	Screw (M5-0.8x12).....	螺絲.....	3



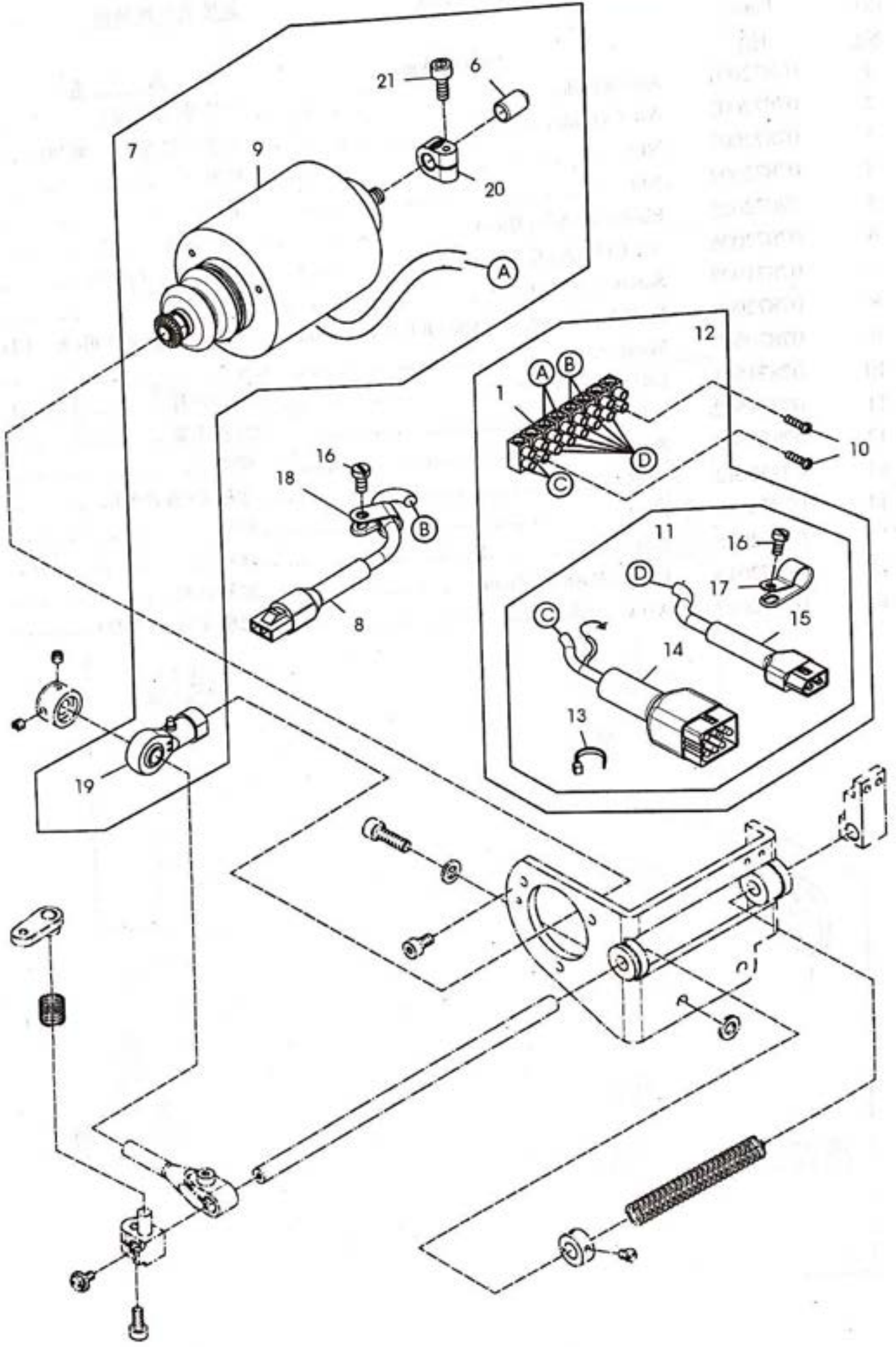


PNEUMATIC TYPE PRESSER FOOT LEFTER

氣壓式抬押腳組

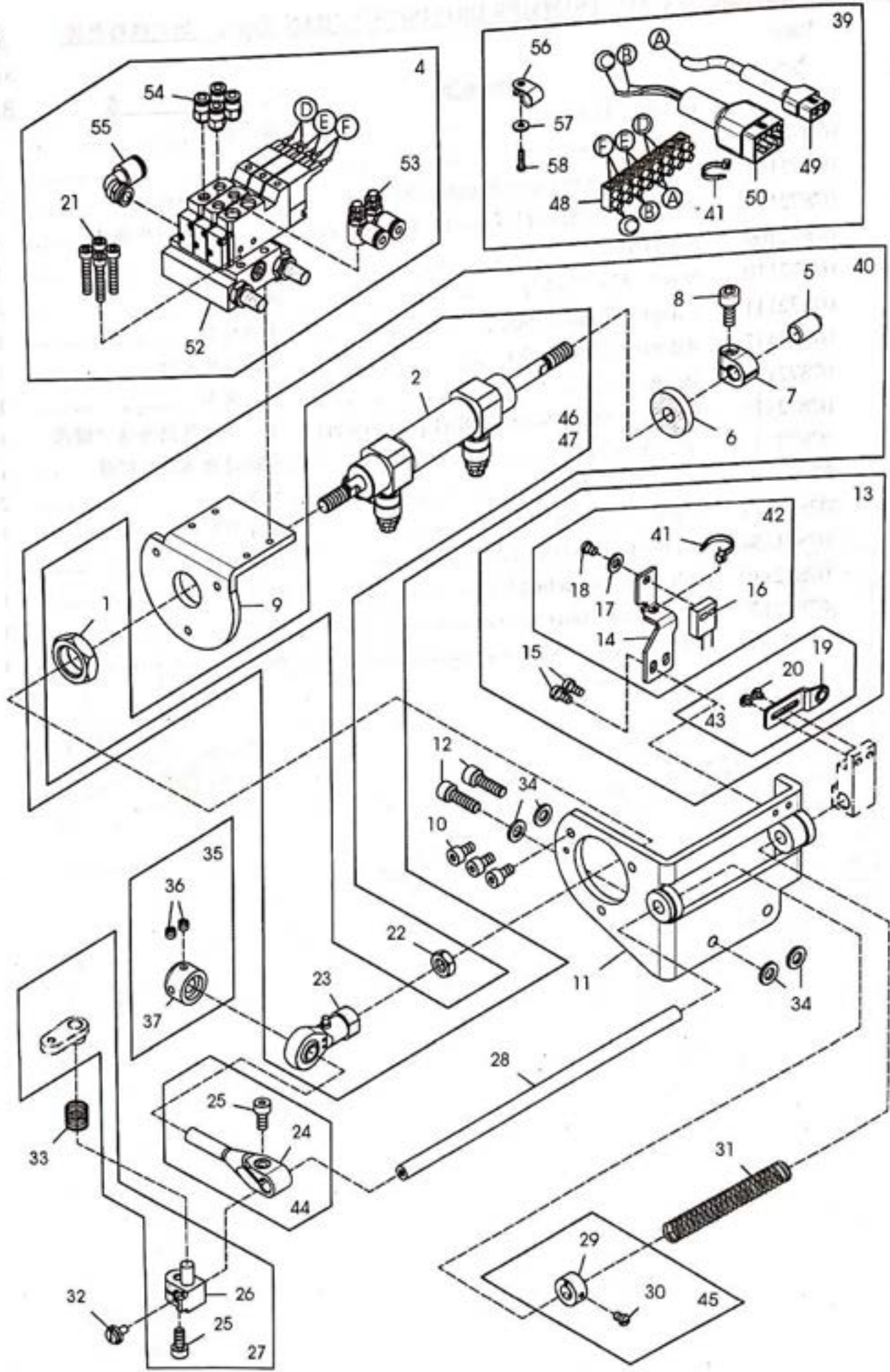
20

Ref. No.	Parts No.	Description	品名	Amt. Req.
1	07872001	Air Cylinder.....	空壓管(普通型).....	1
2	07872002	Air Cylinder Bracket.....	空壓管托架(小、風切).....	1
3	07872003	Nut.....	螺帽.....	1
4	07872004	Nut.....	螺帽.....	1
5	07872005	Plastic Pushing Block.....	塑膠推塊.....	1
6	07872006	Air Cylinder C.Set.....	空壓管組(普通形).....	1
7	07871907	Screw (M6-1.0×16).....	螺絲.....	2
8	07872008	For The Pneumatic Type Of Use Rear Puller...	後托輪氣壓缸專用(大、L1).	1
9	07870547	Washer.....	墊片.....	2
10	07871501	Lifter Lever	壓腳拉桿.....	1
11	07871502	Lifter Lever Stop	拉桿止架.....	1
12	07870845	Screw (9/64-40×6).....	螺絲.....	2
13	07872013	Air Cylinder.....	空壓管(強力形).....	1
14	07872014	Nut.....	螺帽.....	1
15	07872015	Nut.....	螺帽.....	1
16	07872016	Plastic Pushing Block.....	塑膠推塊.....	1
17	07872017	Air Cylinder C.Set.....	空壓管組(強力形).....	1



ELECTRICAL TYPE BOTTOM TRIMMER DRIVING MECHAN 電磁式下切刀驅動機構

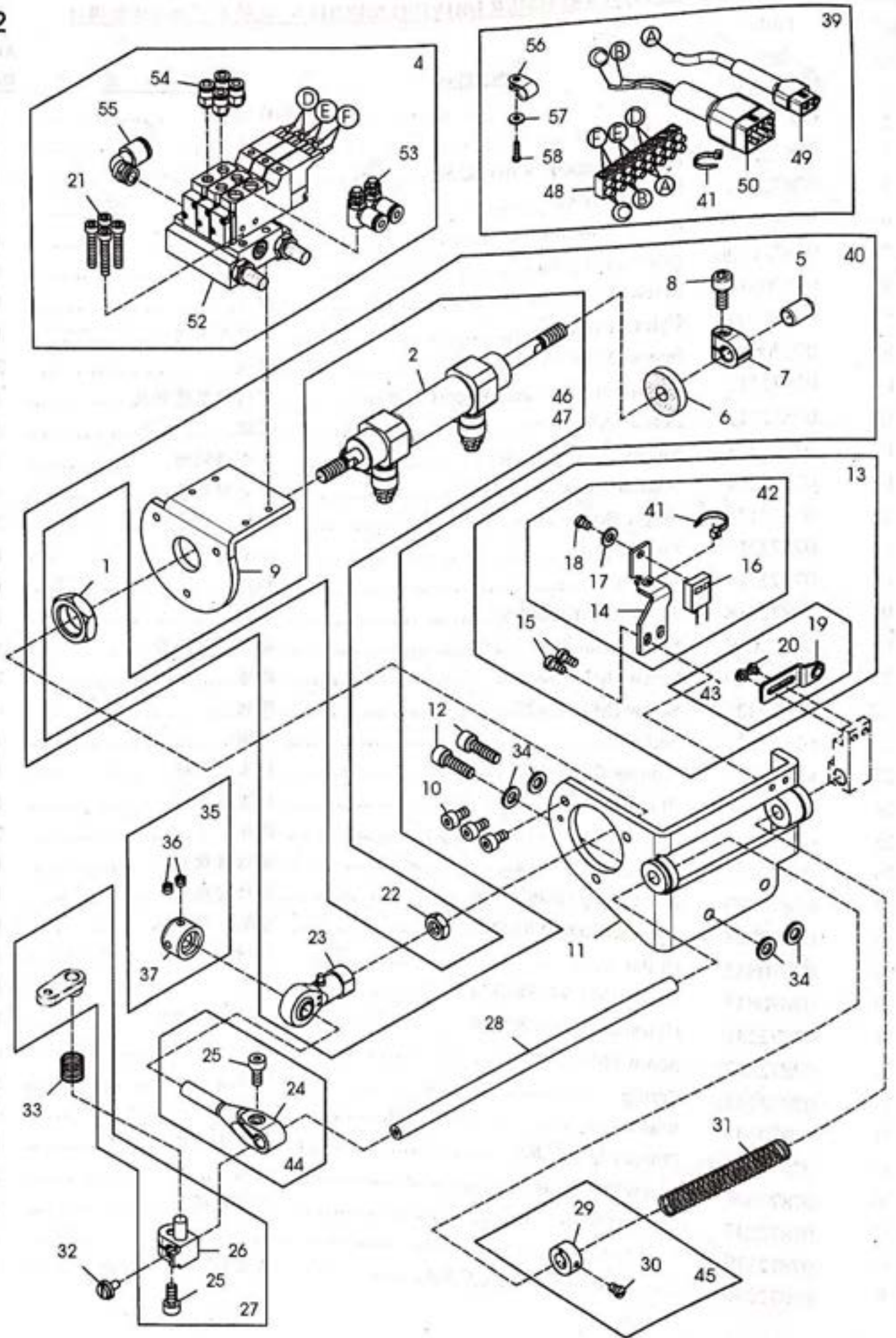
Ref. No.	Parts No.	Description	品名	Amt. Req.
1	07872101	Terminal Holder.....	端子台.....	1
6	07872106	Rubber Cover.....	膠套.....	1
7	07872107	Bottom Trimming Solenoid C.Set.....	下切刀電磁鐵組.....	1
8	07872108	Knife Guide, Presser Foot Lefter Adaptor Cable...	上切、抬壓腳中繼線.....	1
9	07872109	Solenoid C.Set.....	電磁鐵.....	1
10	07872110	Screw (M3-0.5x12).....	螺絲.....	2
11	07872111	Adaptor Cable C.Set.....	中繼線組.....	1
12	07872112	Adaptor Cable C.Set.....	中繼線端子組.....	1
13	07872113	Bridle.....	固定束帶.....	1
14	07872114	Knife Driving Motor Cable (Upper,Lower)....	上、下切傳動馬達中繼線...	1
15	07872115	Adaptor Cable C.Set.....	壓腳傳動馬達中繼線.....	1
16	07870125	Screw (M4-0.7x8).....	螺絲.....	2
17	07872117	Cable Clamp (UC-2.0).....	配線固定鈕.....	1
18	07871354	Cable Clamp (UC-1.5).....	配線固定鈕.....	1
19	07872119	Plunger Connecting Rod.....	柱塞式連桿.....	1
20	07872120	Adjusting Collar.....	調整環.....	1
21	07870634	Screw (M5-0.8x14).....	螺絲.....	1



PNEUMATIC TYPE BOTTOM TRIMMER DRIVING MECHANISM 氣壓式下切刀驅動機構

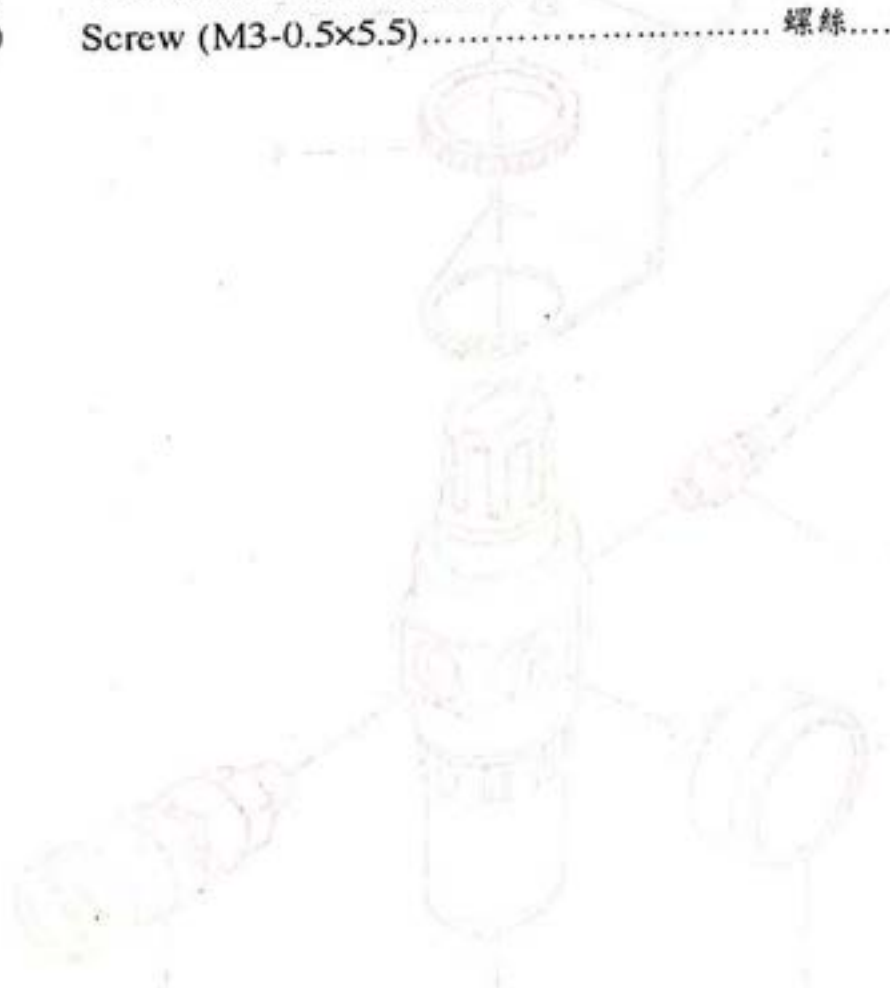
22

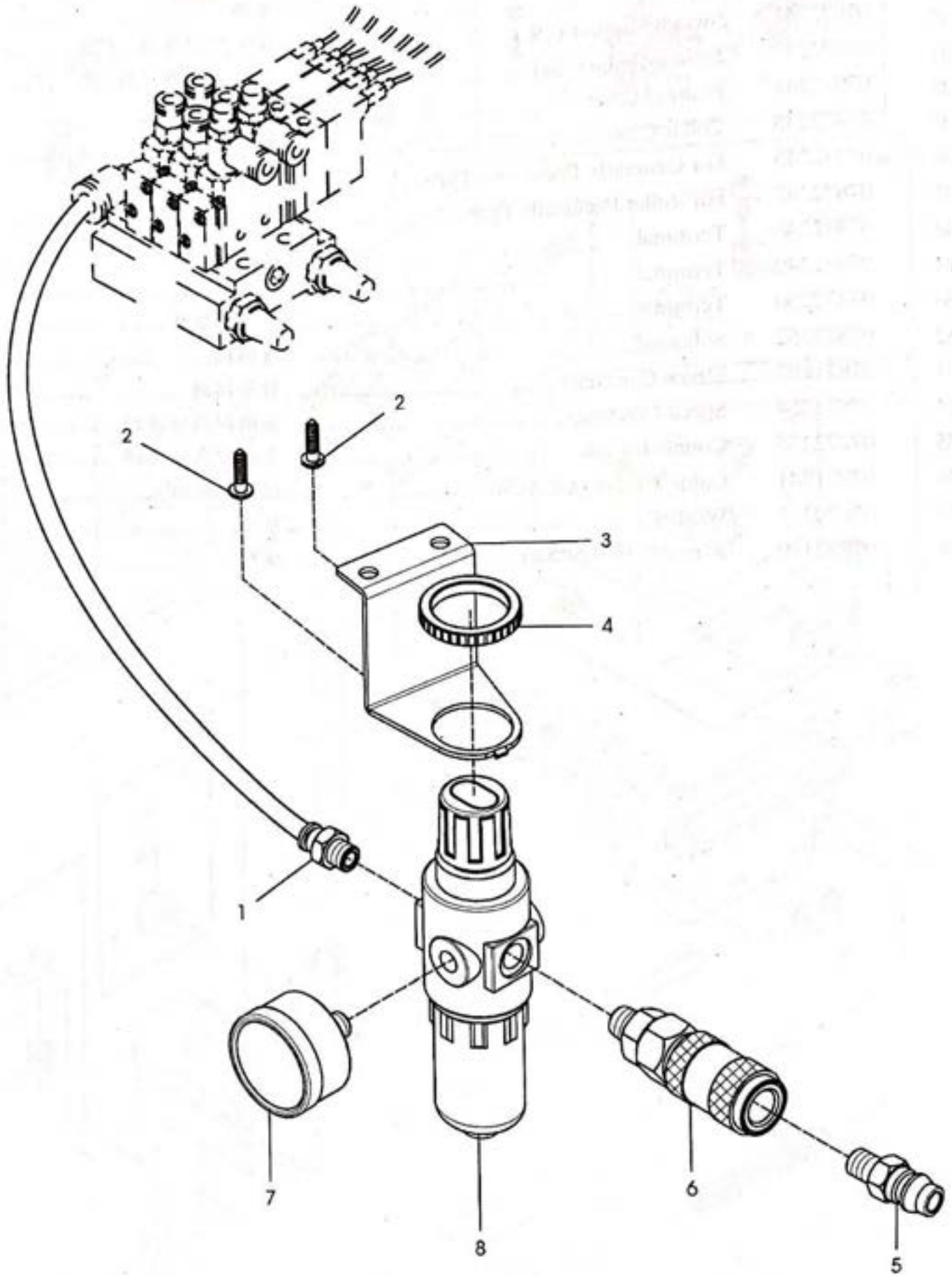
Ref. No.	Parts No.	Description	品名	Amt. Req.
1	07872201	Nut.....	螺帽.....	1
2	07872202	Air Cylinder.....	氣壓缸.....	1
4	07872204	Electromagnetic Valve, C.Set.....	氣壓電磁閥組.....	1
5	07872106	Rubber Cover.....	膠套.....	1
6	07872206	Rubber Cushion.....	避震膠墊.....	1
7	07872120	Adjusting Collar.....	調整環.....	1
8	07870634	Screw (M5-0.8x14).....	螺絲.....	1
9	07872209	Cylinder Bracket.....	空壓管吊架.....	1
10	07870628	Screw (M5-0.8x10).....	螺絲.....	3
11	07872211	Trimming Cylinder Support.....	下切刀空壓管座.....	1
12	07872212	Screw (M6-1x18).....	螺絲.....	2
13	07872213	Switch, Complete Set.....	安全開關組.....	1
14	07872214	Switch Support.....	安全開關座.....	1
15	07870125	Screw (M4-0.7x8).....	螺絲.....	2
16	07872216	Switch.....	安全開關.....	1
17	07872217	Washer.....	墊片.....	1
18	07872218	Screw (11/64-40x5).....	螺絲.....	1
19	07872219	Switch Guide.....	安全開關導片.....	1
20	07872220	Screw (M3-0.5x4.7).....	螺絲.....	2
21	07872221	Screw (M4-0.7x25).....	螺絲.....	4
22	07872222	Nut.....	螺帽.....	1
23	07872223	Plunger Connecting Rod.....	柱塞式連桿.....	1
24	07872224	Plunger.....	柱塞接頭.....	1
25	07872225	Screw (M5-0.8x12).....	螺絲.....	2
26	07872226	Connecting Block.....	連結滑塊.....	1
27	07872227	Connecting Block C.Set.....	連結滑塊組.....	1
28	07872228	Cylinder Return Shaft.....	空壓管復進軸.....	1
29	07870832	Collar.....	軸環.....	1
30	07870833	Screw (M4.5-0.75x5.5).....	螺絲.....	1
31	07872231	Cylinder Return Spring.....	空壓管復進簧.....	1
32	07872232	Screw (M4-0.7x8).....	螺絲.....	1
33	07872233	Spring.....	彈簧.....	1
34	07870547	Washer.....	墊片.....	4
35	07872235	Plunger Stop C.Set.....	柱塞止環組.....	1
36	07870648	Screw (M5-0.8x5).....	螺絲.....	2
37	07872237	Plunger Stop.....	柱塞止環.....	1
39	07872239	Terminal C.Set.....	端子組.....	1
40	07872240	Electromagnetic Valve, C.Set.....	氣壓閥整組.....	1



PNEUMATIC TYPE BOTTOM TRIMMER DRIVING MECHANISM 氣壓式下切刀驅動機構

Parts No.	Description	品名	Amt. Req.
07872113	Bridle.....	束帶.....	2
07872242	Switch,Support C.Set.....	安全開關座組.....	1
07872243	Switch Guide C.Set.....	安全開關導片組.....	1
07872244	Plunger C.Set.....	柱塞接頭組.....	1
07872245	Collar C.Set.....	軸環組.....	1
07872246	For Generally Pneumatic Type.....	一般風切.....	1
07872247	For Roller Pneumatic Type.....	滾輪風切.....	1
07872248	Terminal.....	端子.....	1
07872249	Terminal.....	押腳端子.....	1
07872250	Terminal.....	上下切端子.....	1
07872252	Solenoid.....	電磁閥.....	1
07871807	Elbow Connector.....	肘形接頭.....	2
07872254	Speed Connector.....	電磁閥調速接頭.....	4
07872255	Connector.....	電磁閥底座接頭.....	1
07871741	Cable Clamp (UC-0.5).....	配線固定鈕.....	1
07870323	Washer.....	墊片.....	1
07872110	Screw (M3-0.5x5.5).....	螺絲.....	1

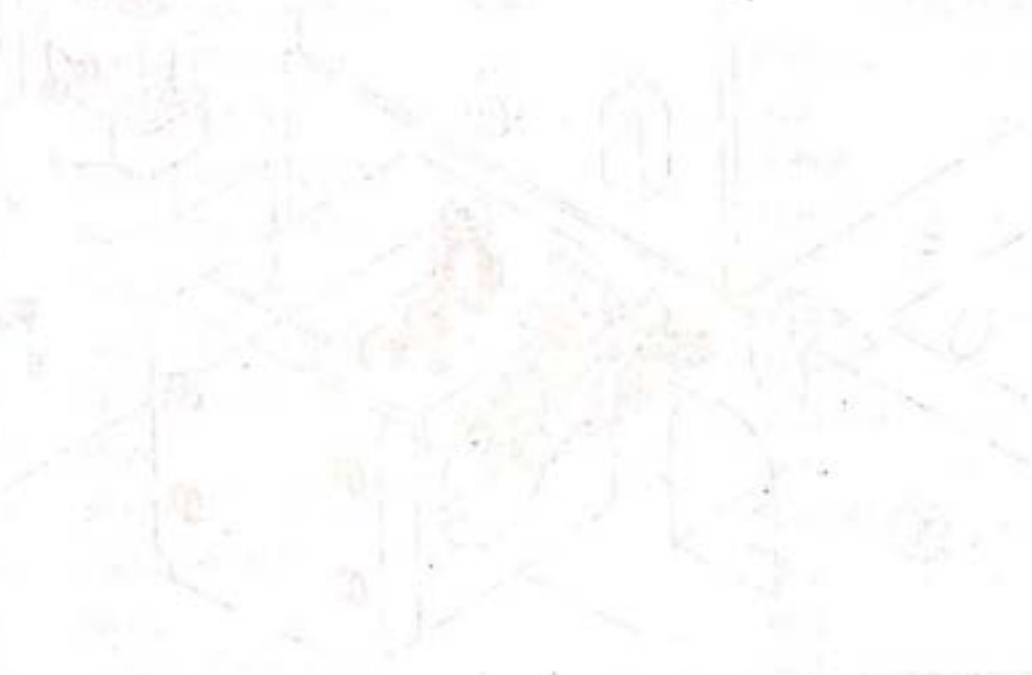


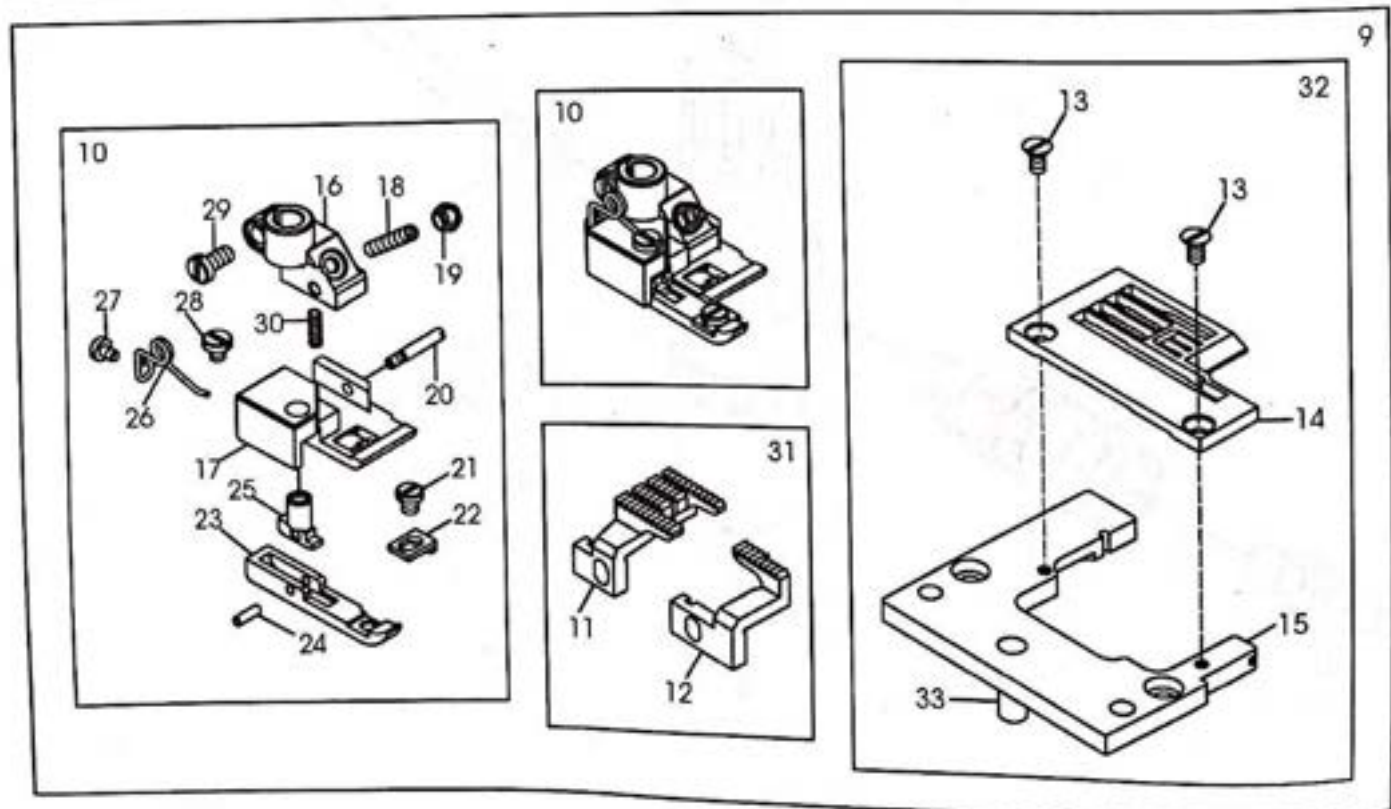
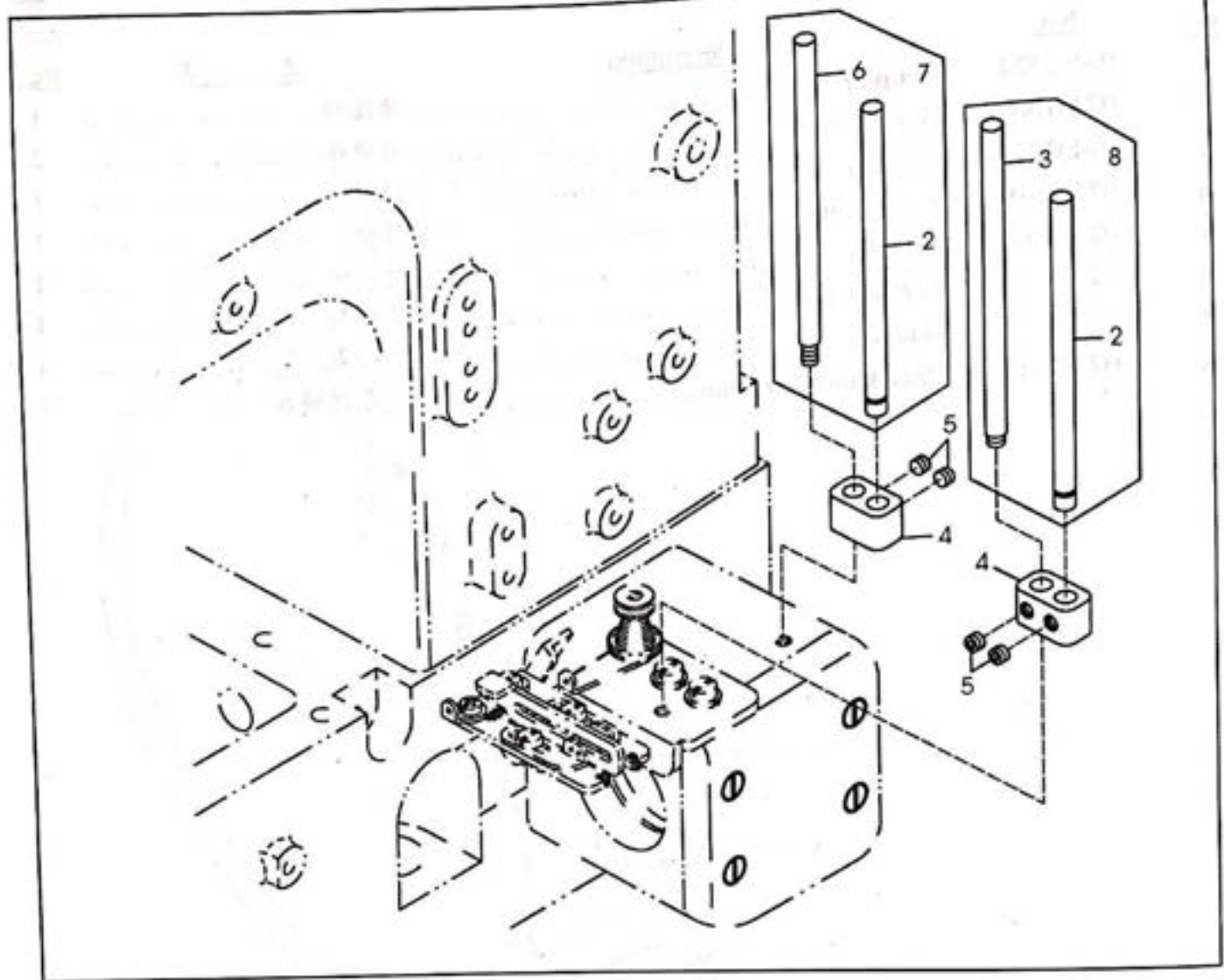


PNEUMATIC REGULATOR MECHANISM

氣壓調節器機構

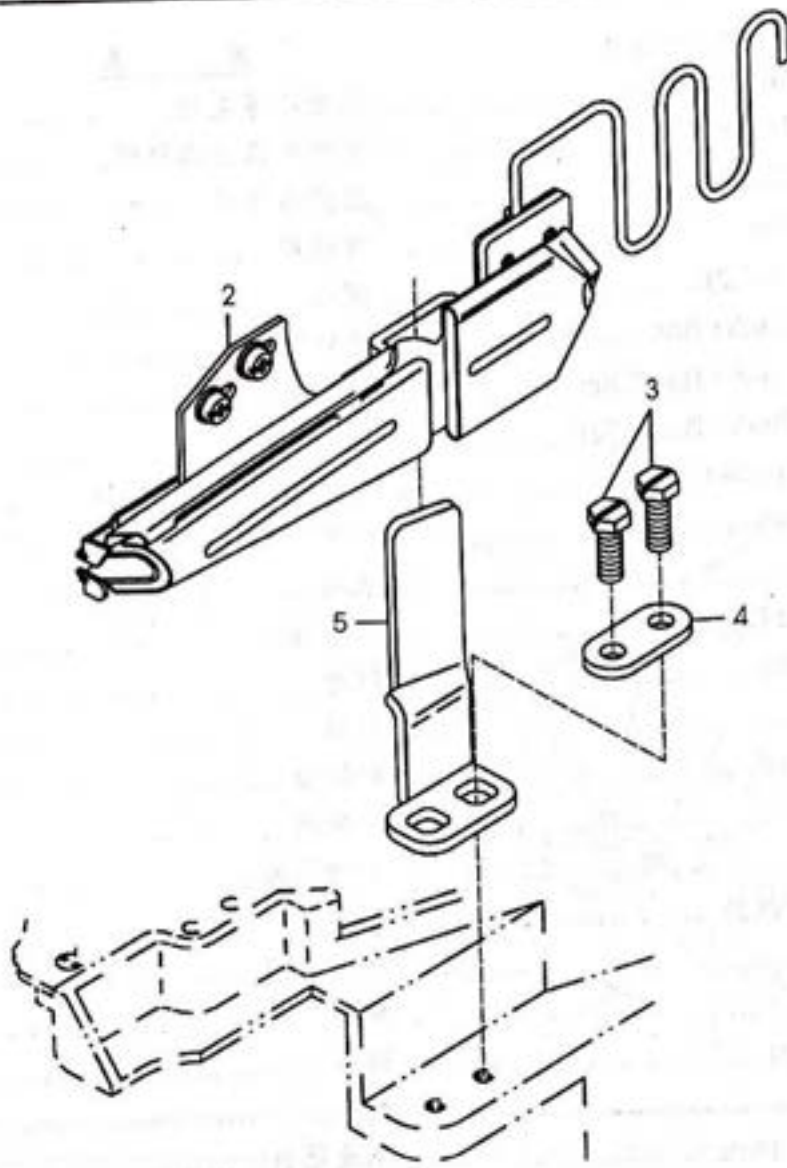
Parts No.	Description	品名	Amt. Req.
07401524	Coupler.....	轉接頭.....	1
07401508	Wood Screw.....	木螺絲.....	2
07403203	Bracket.....	托架.....	1
07401519	Screw Ring.....	螺環.....	1
07403205	Coupler.....	轉接頭.....	1
07403206	Connect Valve.....	氣壓閥.....	1
07401515	Gauge.....	氣磅表.....	1
07401513	Pneumatic Regulator.....	氣壓調節器.....	1



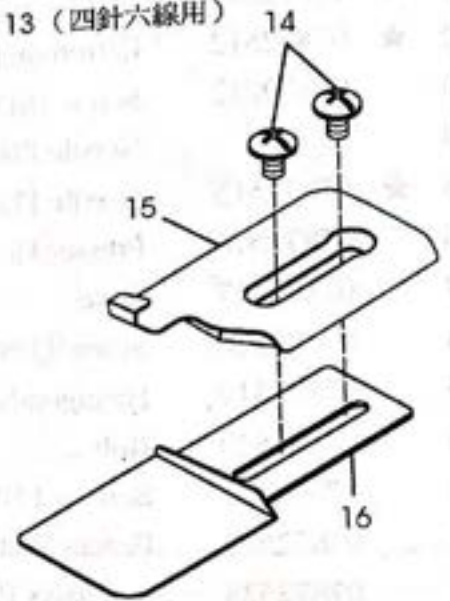


No.	Description	品名	Amt.	Req.
07872501	Binding Cloth Guider C.Set	滾條布導架組	1	
07872502	Binding Cloth Tension Bar	滾條布張力調整桿	2	
07872503	Binding Cloth Guider Bar	滾條布導桿	1	
07872504	Guider Bar Holder	導桿座	2	
07872505	Screw (11/64-40x3.2)	螺絲	4	
07872506	Binding Cloth Guider Bar	滾條布導桿	1	
07872507	Binding Cloth Guider Bar C.Set	滾條布導桿組	1	
07872508	Binding Cloth Guider Bar C.Set	滾條布導桿組	1	
07872509	"Q" Device Gauge Set	標準喇叭包邊規格組	1	
★	Presser Foot C.Set	押腳	1	
★ 07872511	Main Feed Dog	主齒	1	
★ 07872512	Differential Feed Dog	差動齒	1	
07870232	Screw (M3-0.5x6)	螺絲	2	
★	Needle Plate	針板	1	
★ 07872515	Needle Plate Stand	針板台	1	
07872516	Presser Head	押腳頭	1	
07872517	Plate	本體壓板	1	
07872518	Screw (1/8"-44x18.5)	螺絲	1	
07872519	Hexagon Nut	六角螺帽	1	
07872520	Bolt	螺栓	1	
07872521	Screw (1/8"-44x3)	螺絲	1	
07872522	Fender Plate	擋片	1	
07872523	Sideways Presser Plate	側邊壓板	1	
07872524	Fixed Axle	固定軸	1	
07872525	Spring Base	彈簧座	1	
07872526	Spring	彈簧	1	
07872527	Screw (3/32"-56x3)	螺絲	1	
07872528	Screw(1/8"-44x4)	螺絲	1	
07872529	Screw(9/64"-40x9)	彈簧	1	
07872530	Spring	勾齒組	1	
07872531	Main Feed Dog	針板組	1	
07872532	Needle Plate C.Set	頂出銷		
07870220	Knock Pin			

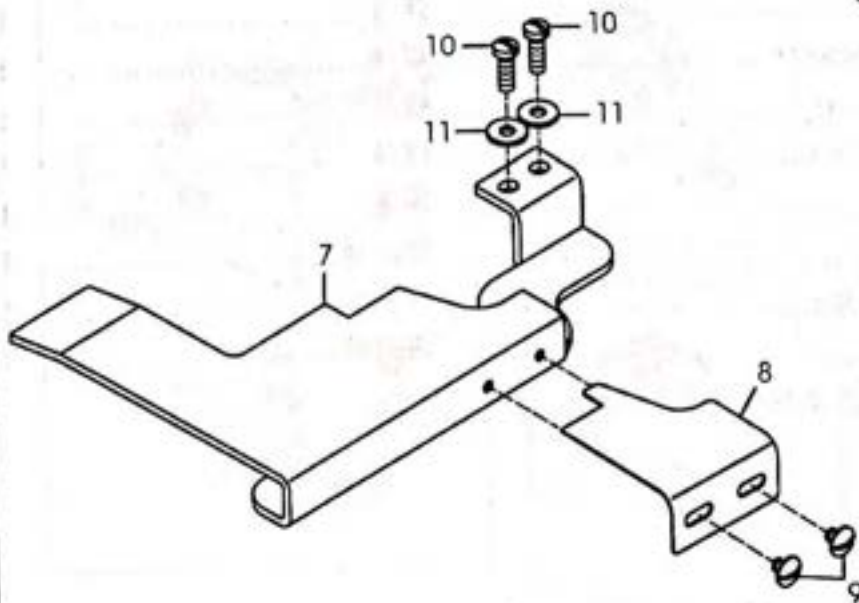
★請參照附件一、附件二【標準規格件】



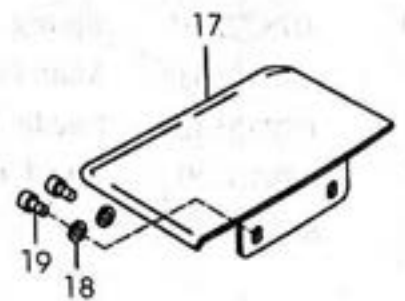
13 (四針六線用)



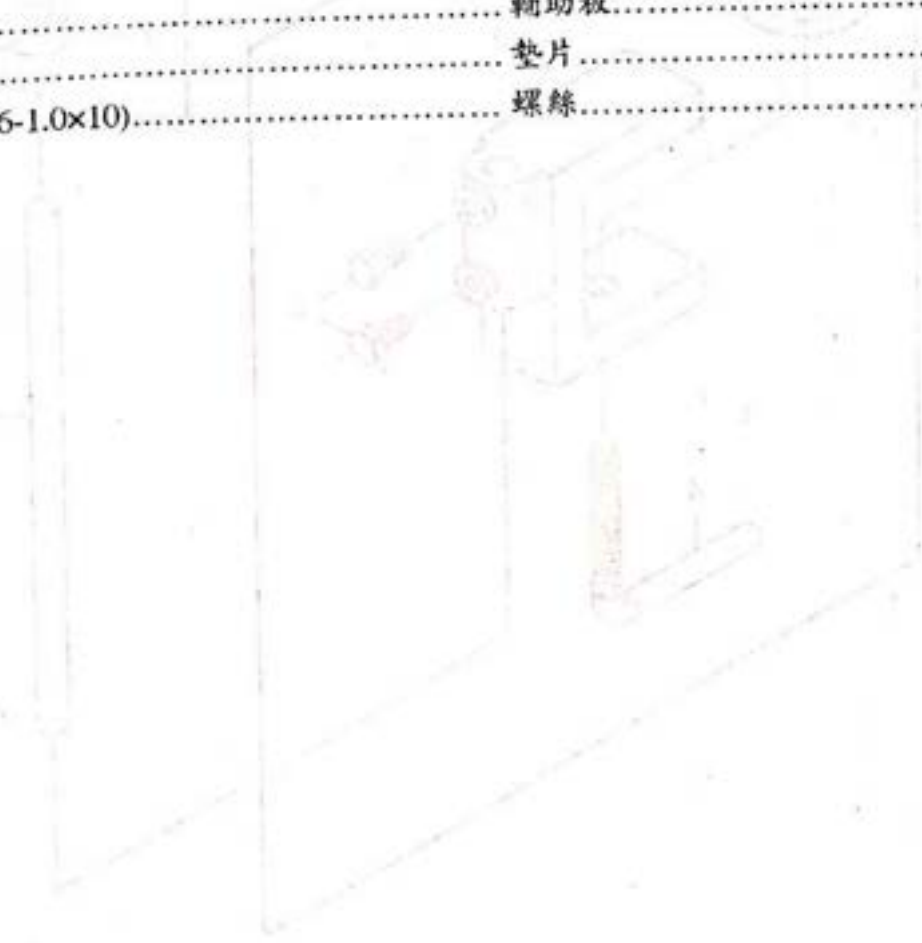
6

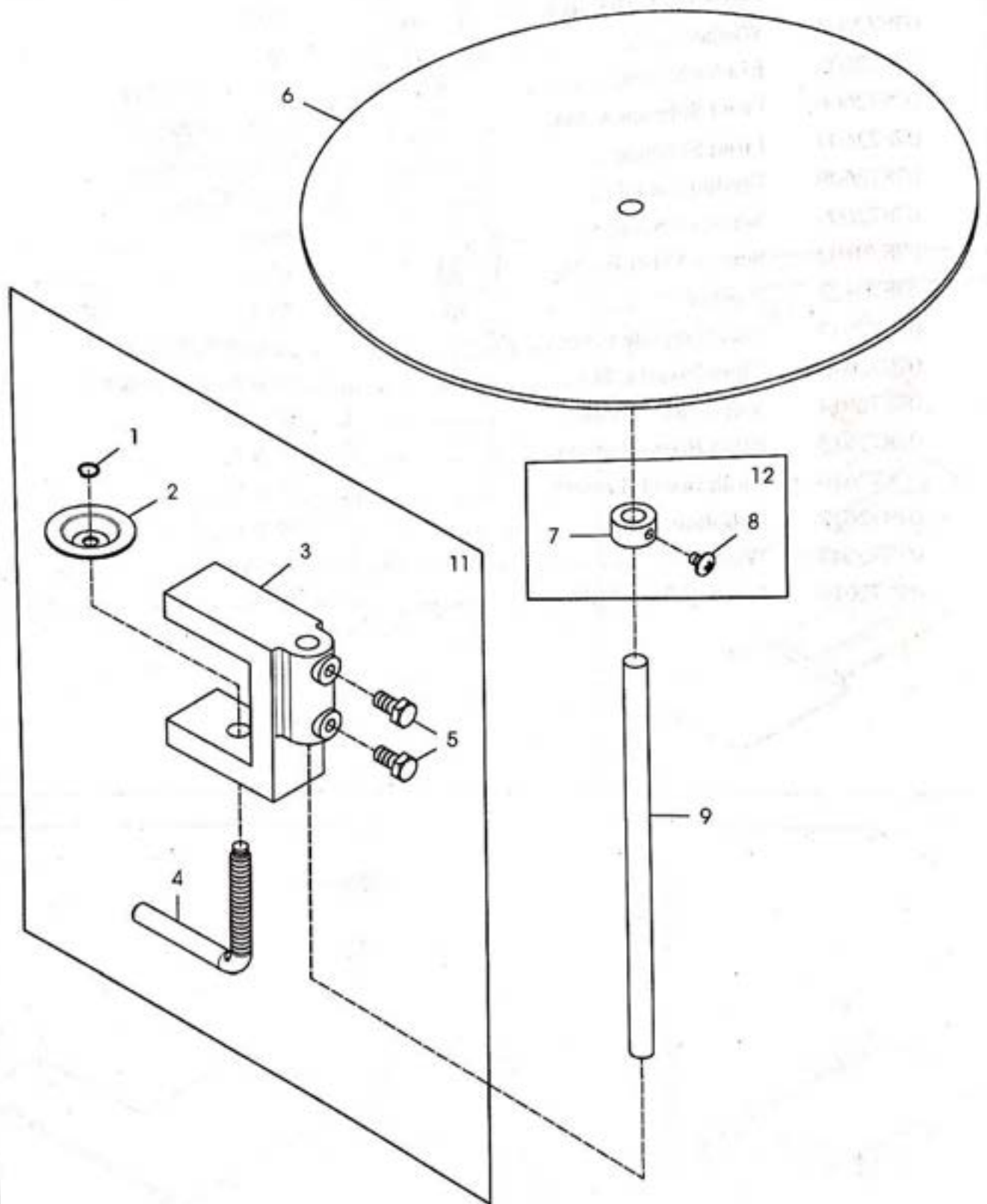


12

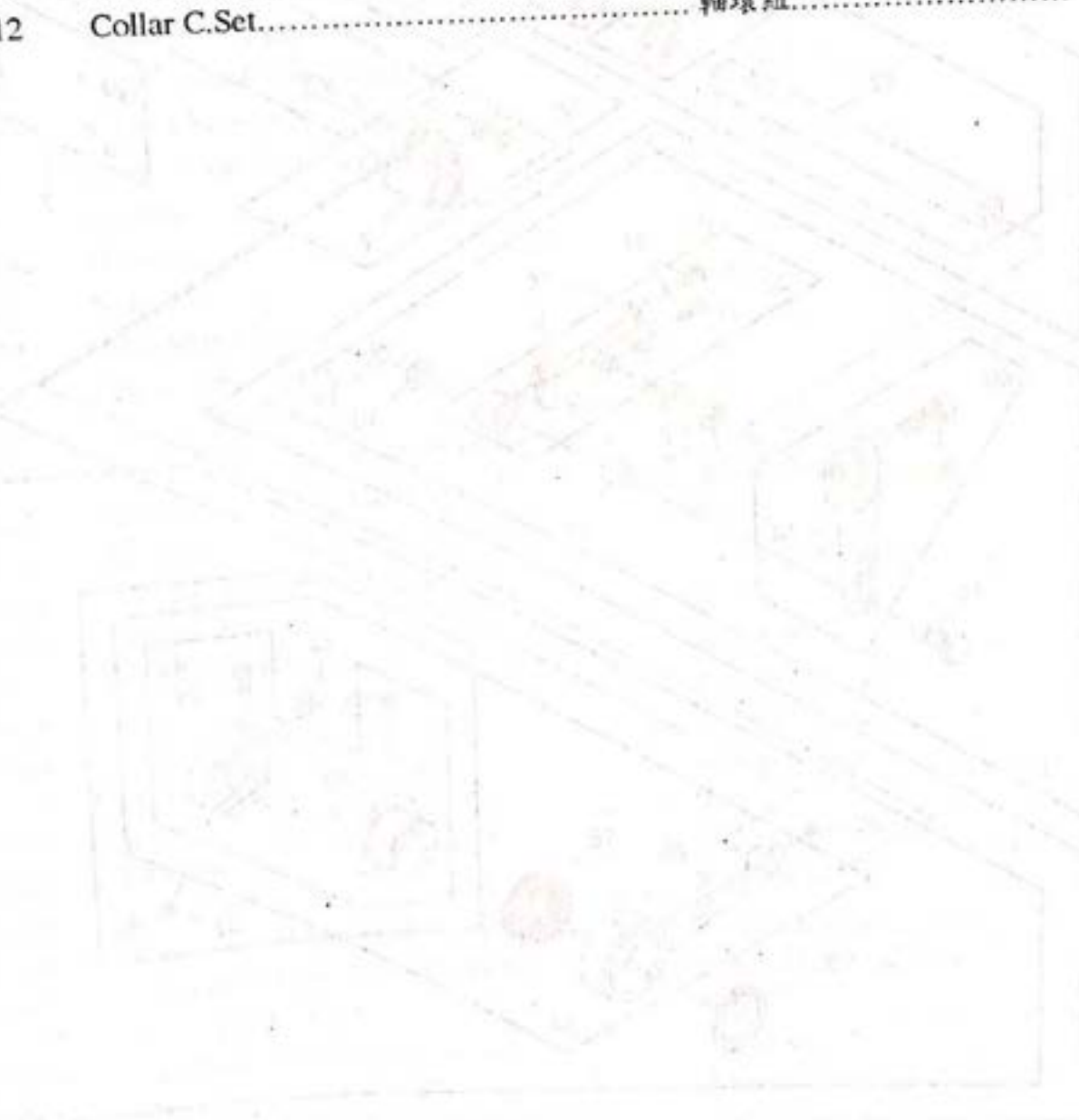


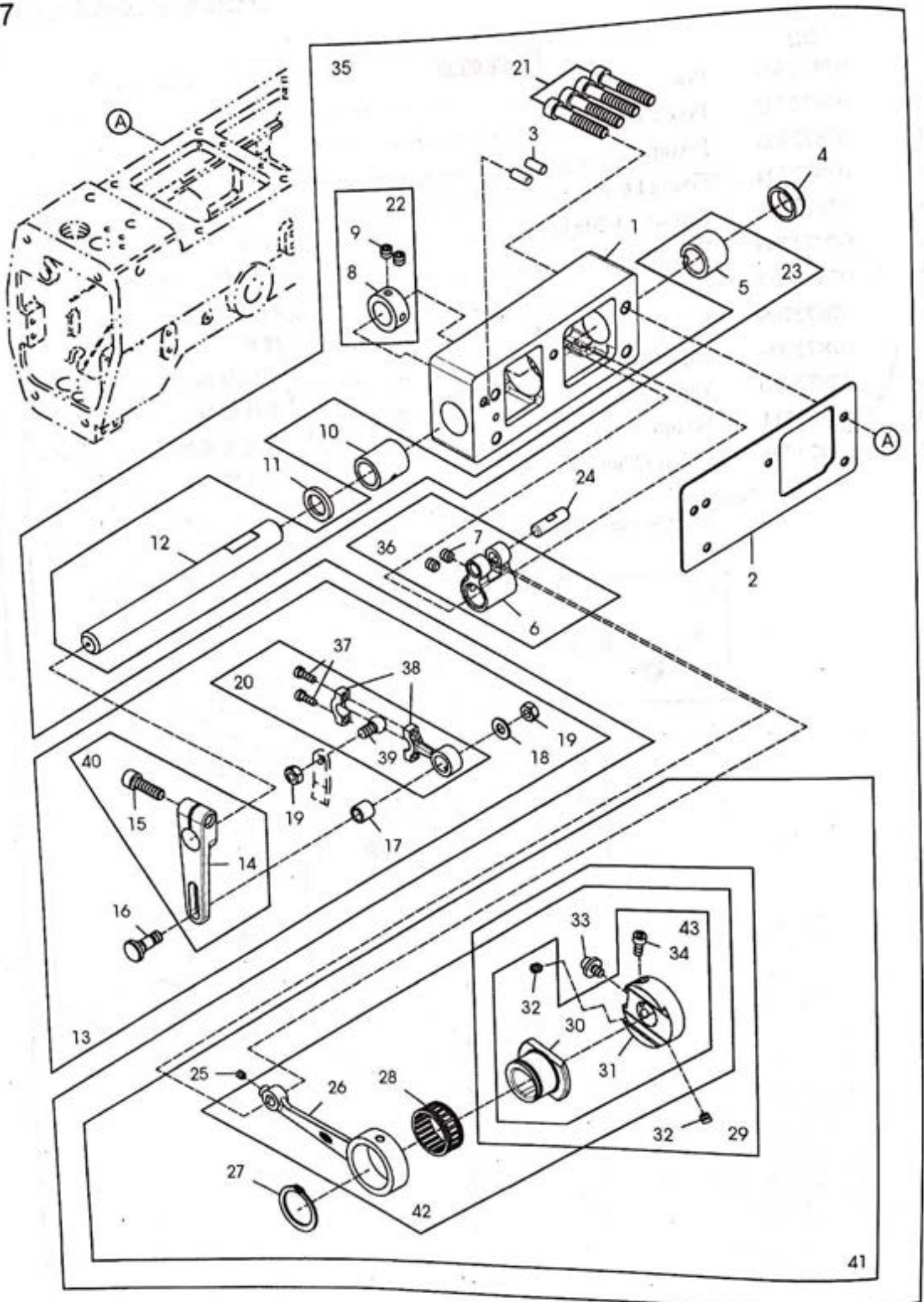
Ref. No.	Parts No.	Description	品名	Amt. Req.
1	07872601	Binder C.Set.....	標準喇叭包邊組.....	1
2	07872602	Binder.....	喇叭包邊器(同一般平台式支針出喇叭).....	1
3	07872603	Screw (M5-0.8x14).....	螺絲.....	2
4	07872604	Washer.....	墊片.....	1
5	07872605	Binder Mount.....	喇叭·包邊器組.....	1
6	07872606	Front Subplate C.Set.....	前包邊輔助板組.....	1
7	07872607	Front Subplate.....	前包邊輔助板.....	1
8	07872608	Feeding Subplate.....	入口輔助板.....	1
9	07872609	Screw (9/64-40x4).....	螺絲.....	2
10	07870102	Screw (M4-0.7x12).....	螺絲.....	2
11	07870323	Washer.....	墊片.....	2
12	07872612	Rear Subplate C.Set.....	後包邊輔助板組.....	1
13	07872613	Cloth Board C.Set.....	布板組(四針六線用).....	1
14	07872614	Screw (M5-0.8x8).....	螺絲.....	2
15	07872615	Cloth Board (Upper).....	上布板.....	1
16	07872616	Cloth Board (Lower).....	下布板.....	1
17	07872617	Subplate.....	輔助板.....	1
18	07870547	Washer.....	墊片.....	2
19	07872619	Screw (M6-1.0x10).....	螺絲.....	2



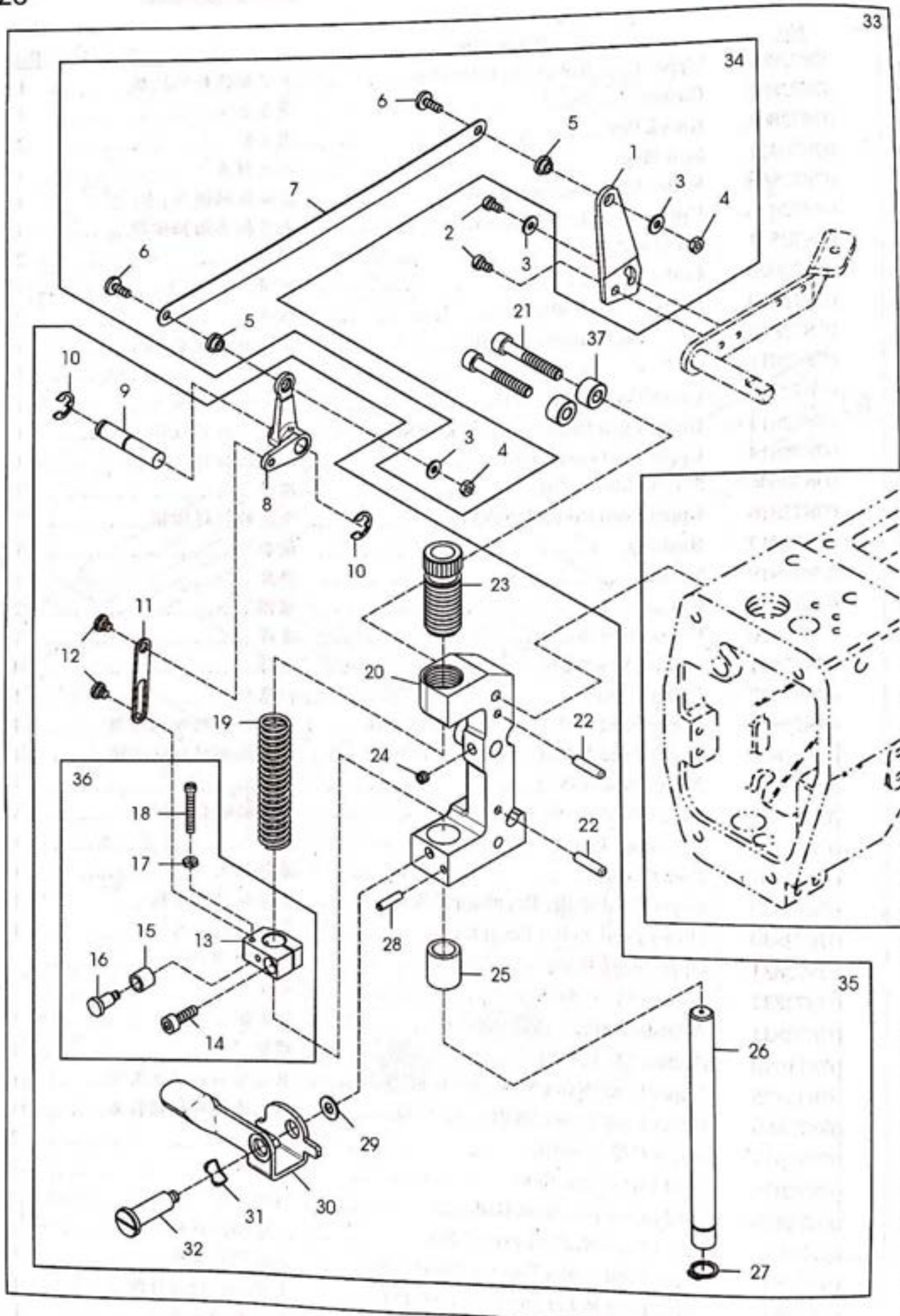


Ref. No.	Parts No.	Description	品名	Amt. Req.
1	07872701	Pin.....	插銷.....	1
2	07872702	Fixed Disc.....	固定圓盤.....	1
3	07872703	Fixture.....	固定夾架.....	1
4	07872704	Fixing Lever.....	固定螺桿.....	1
5	07872705	Screw(1/4-20x12.5).....	螺絲.....	2
6	07872706	Tope Disc.....	布條盤.....	1
7	07872707	Collar	軸環.....	1
8	07872708	Screw (M4-0.7x6.5).....	螺絲.....	1
9	07872709	Tape Disc Post.....	布條盤軸.....	1
10	07872710	Tape Disc C.Set.....	布條盤組.....	1
11	07872711	Fixture C.Set.....	固定夾架組.....	1
12	07872712	Collar C.Set.....	軸環組.....	1

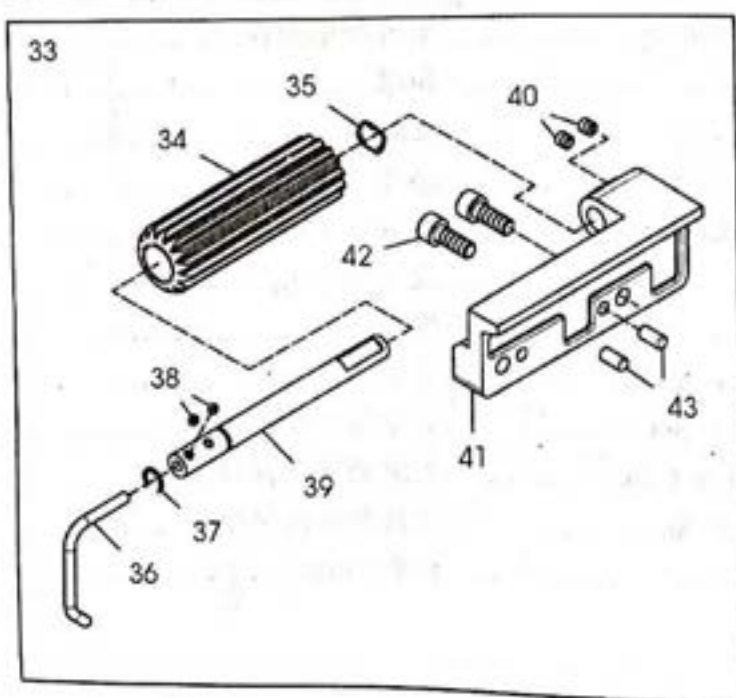
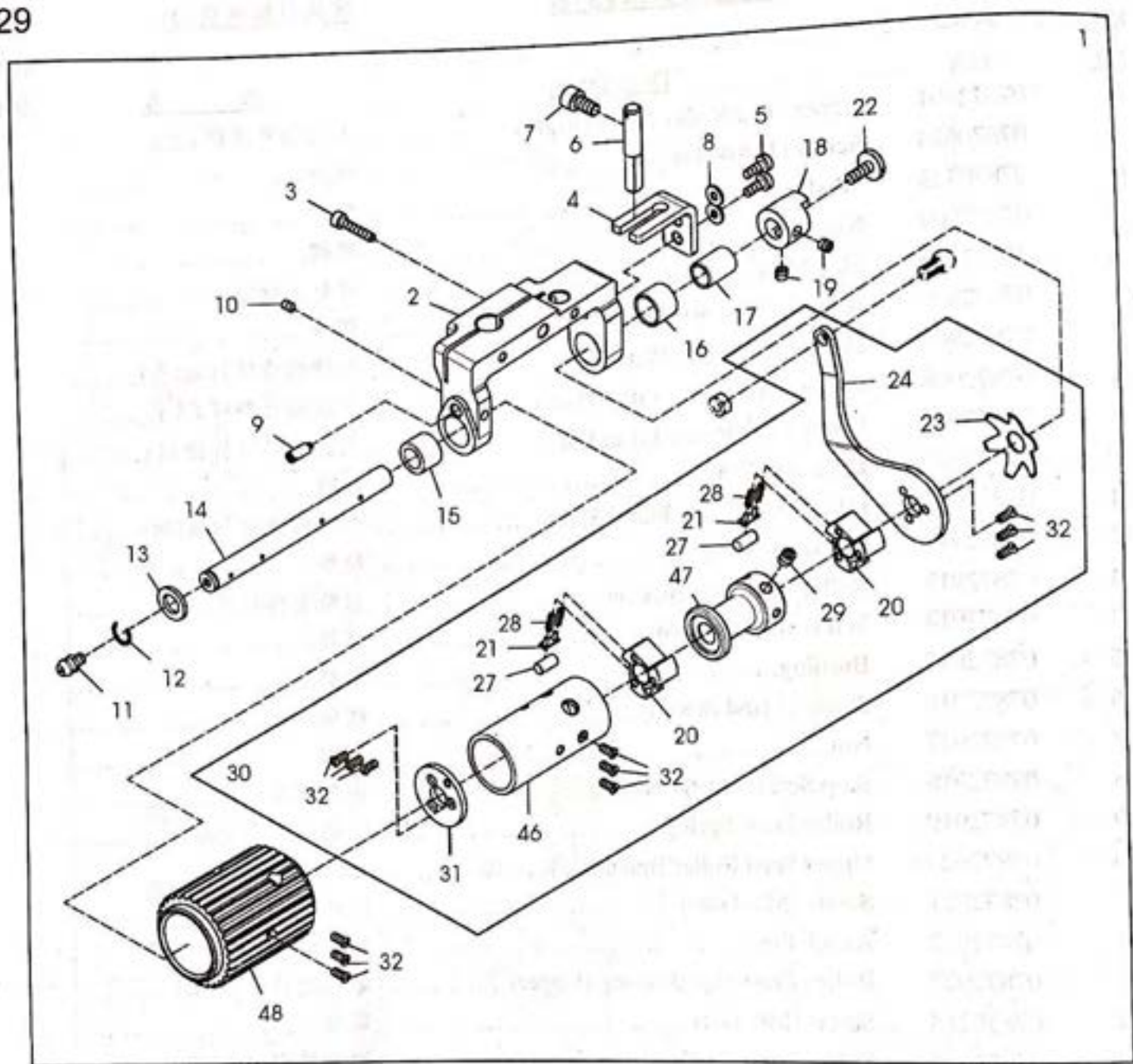




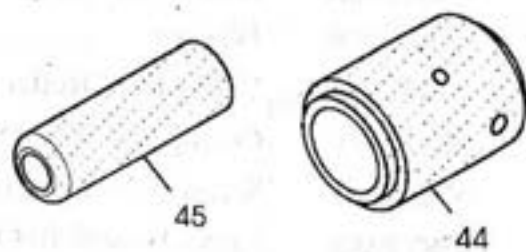
No.	No.	Description	品名	Amt.
				Req.
1	07872801	Upper Feed Roller Shaft Bracket.....	上滾輪傳動軸托架.....	1
2	07872802	Gasket.....	密合墊片.....	1
3	07872803	Knock Pin.....	頂出銷.....	2
4	07870421	Seal Plug.....	止油封塞.....	1
5	07872805	Roller Shaft Bushing (Right).....	滾輪動軸襯套(右).....	1
6	07872806	Upper Feed Roller Shaft Lever.....	上滾輪傳動軸槓桿.....	1
7	07870543	Screw (M6-1x6).....	螺絲.....	2
8	07872808	Collar.....	軸環.....	1
9	07872809	Screw (1 1/64-40x4).....	螺絲.....	2
10	07872810	Roller Shaft Bushing (Left).....	滾輪動軸襯套(左).....	1
11	07872811	Oil Seal.....	油封.....	1
12	07872812	Upper Feed Roller Shaft.....	上滾輪傳動軸.....	1
13	07872813	Upper Feed Roller Lever Rod C.Set.....	上滾輪傳動拉桿.....	1
14	07872814	Upper Feed Roller Lever.....	上滾輪拉桿.....	1
15	07870546	Screw (M6-1x20).....	螺絲.....	1
16	07872816	Upper Feed Roller Lever Pin.....	上滾輪拉桿插銷.....	1
17	07872817	Bushing.....	襯套.....	1
18	07872818	Washer.....	墊片.....	1
19	07872819	Nut.....	螺帽.....	2
20	07872820	Connecting Rod.....	連桿.....	1
21	07872821	Screw (M6-1x35).....	螺絲.....	4
22	07872822	Collar C.Set.....	軸環組.....	1
23	07872823	Upper Feed Roller Shaft Bracket C.Set.....	上滾輪傳動軸托架組.....	1
24	07872824	Upper Feed Roller Driving Rod Pin.....	上滾輪驅動拉桿插銷.....	1
25	07870229	Screw (M4-0.7x4).....	螺絲.....	1
26	07872826	Upper Feed Roller Driving Rod.....	上滾輪驅動拉桿.....	1
27	07871106	Retaining Ring.....	扣環.....	1
28	07871107	Roller Bearing.....	滾動軸承.....	1
29	07872829	Upper Feed Roller Regulator C.Set.....	上滾輪調節器組.....	1
30	07872830	Upper Feed Roller Eccentric.....	上滾輪偏心輪.....	1
31	07872831	Upper Feed Roller Regulator.....	上滾輪調節器.....	1
32	07872832	Screw (M5-0.8x5).....	螺絲.....	2
33	07872833	Adjusting Screw (M5-0.8x6).....	調節螺絲.....	1
34	07871910	Screw (M4-0.7x8).....	螺絲.....	1
35	07872835	Upper Feed Roller Shaft Bracket C.Set.....	上滾輪傳動軸托架組.....	1
36	07872836	Upper Feed Roller Shaft Lever C.Set.....	上滾輪傳動軸槓桿組.....	1
37	07872837	Screw (M3-0.5x10).....	螺絲.....	2
38	07872838	Feed Lift Connection.....	傳動珠殼.....	1
39	07872839	Feed Drive Eccentric Ball.....	傳動珠子.....	1
40	07872840	Upper Feed Roller Lever C.Set.....	上滾輪拉桿組.....	1
41	07872841	Upper Feed Roller Eccentric Rod C.Set.....	上滾輪偏心組.....	1
42	07872842	Upper Feed Roller Driving Rod C.Set.....	上滾輪驅動拉桿組.....	1
43	07872843	Upper Feed Roller Regulator C.Set.....	上滾輪調節器組.....	1



Ref. No.	Parts No.	Description	品 名	Amt. Req.
1	07872901	Upper Feed Roller Lifter (Right).....	上滾輪升降桿(右).....	1
2	07870624	Screw (11/64-40×10).....	螺絲.....	2
3	07870323	Washer.....	墊片.....	3
4	07872904	Nut.....	螺帽.....	2
5	07872905	Flexible Wire Clamp Bushing.....	可動式襯套.....	2
6	07872906	Screw (11/64-40×11).....	螺絲.....	2
7	07872907	Lifter Connecting Plate (Long)	升降桿連接拉板(長).....	1
8	07872908	Upper Feed Roller Lifter (Left).....	上滾輪升降桿(左).....	1
9	07872909	Upper Feed Roller Lifter Pin.....	上滾輪升降桿插銷.....	1
10	07872910	Retaining Ring.....	扣環.....	2
11	07872911	Lifter Connecting Plate (Short).....	升降桿連接拉板(短).....	1
12	07872912	Screw (3/16-32×3).....	螺絲.....	2
13	07872913	Roller Press Bar Bracket.....	滾輪壓桿托架.....	1
14	07872914	Screw (M5-0.8×16).....	螺絲.....	1
15	07872817	Bushing.....	襯套.....	1
16	07872916	Screw (11/64-40×15).....	螺絲.....	1
17	07872917	Nut.....	螺帽.....	1
18	07872918	Stop Screw (11/64-40×28).....	止動螺絲.....	1
19	07872919	Roller Press Spring.....	滾輪壓力彈簧.....	1
20	07872920	Upper Feed Roller Bracket.....	上滾輪托架.....	1
21	07872921	Screw (M6-1×40).....	螺絲.....	2
22	07872922	Knock Pin.....	頂出銷.....	2
23	07872923	Roller Press Bar Bushing (Upper).....	滾輪壓桿襯套(上).....	1
24	07870214	Screw (M6-1×4).....	螺絲.....	1
25	07872925	Roller Press Bar Bushing (Lower).....	滾輪壓桿襯套(下).....	1
26	07872926	Upper Feed Roller Press Bar.....	上滾輪壓力桿.....	1
27	07872927	Retaining Ring.....	扣環.....	1
28	07872928	Stop Pin.....	止動銷.....	1
29	07872818	Washer.....	墊片.....	1
30	07872930	Upper Feed Roller Hand Lifting Lever.....	上滾輪手動升降桿.....	1
31	07872931	Corrugated Washer.....	波形墊片.....	1
32	07872932	Screw (M6-1×3.4)	螺絲.....	1
33	07872933	Upper Feed Roller Bracket , C. Set.....	上滾輪托架組.....	1
34	07872934	Upper Feed Roller Lifter C.Set.....	上滾輪升降桿組.....	1
35	07872935	Upper Feed Roller Press Bar C.Set	上滾輪壓力桿組.....	1
36	07872936	Roller Press Bar Bracket C.Set.....	滾輪壓桿托架組.....	1
37	07872937	Bushing.....	襯套(9mm).....	2

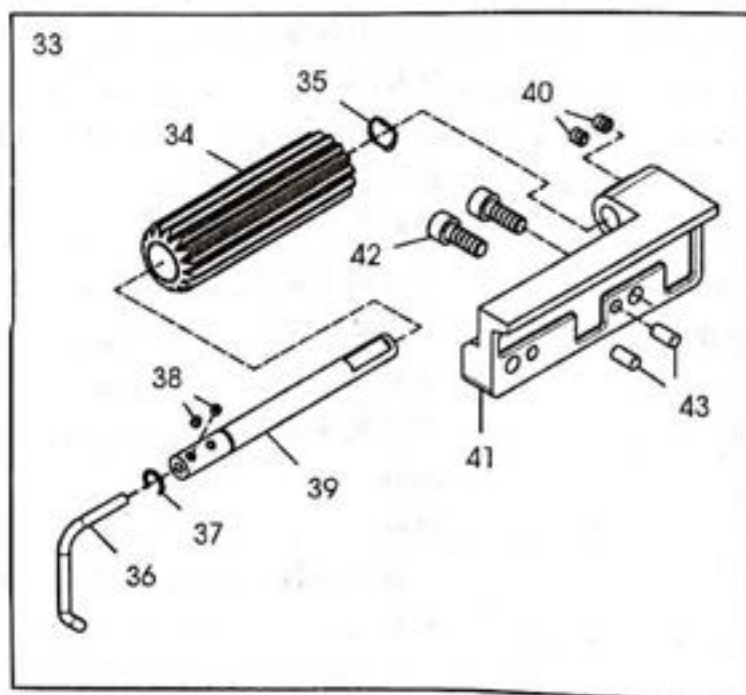
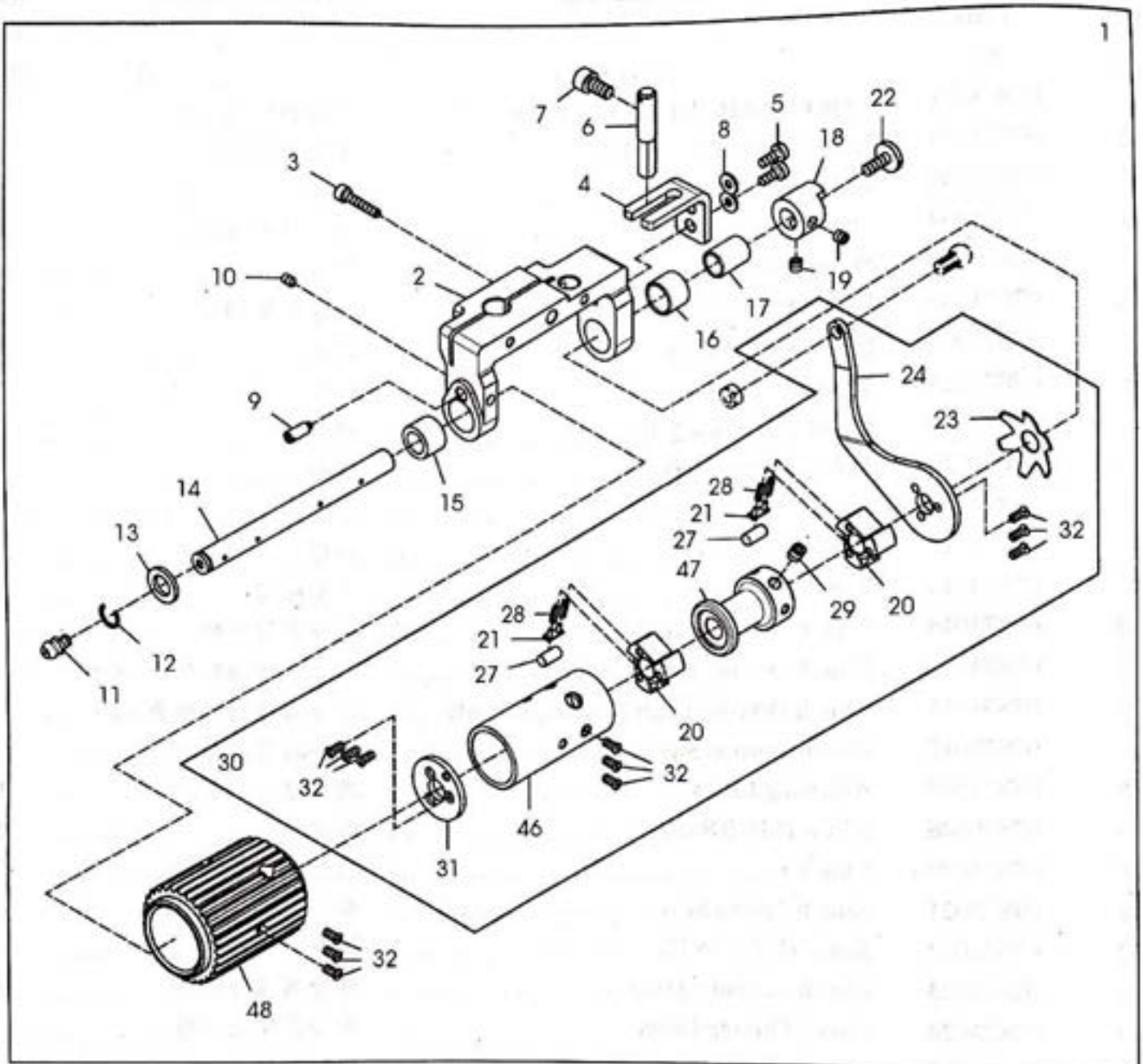


RUBBER ROLLER

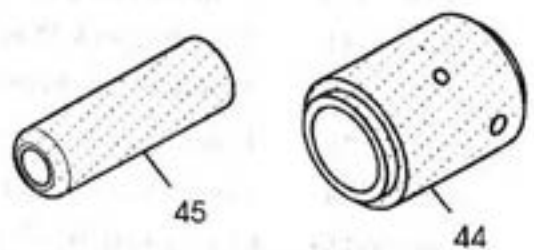


PULLER MECHANISM EXCLUSIVE PARTS (3)**後托引輪機構 (3)****29**

Ref.	Parts			Amt.
No.	No.	Description	品 名	Req.
1	07873001	Upper Feed Roller & Yoke C.Set	上滾輪和軛架組.....	1
2	07873002	Upper Feed Roller Yoke.....	上滾輪軛架.....	1
3	07870546	Screw (M6-1×20).....	螺絲.....	1
4	07873004	Upper Feed Roller Yoke Guide.....	上滾輪導板軛.....	1
5	07870706	Screw (M4-0.7×10).....	螺絲.....	2
6	07873006	Upper Feed Roller Yoke Pin.....	上滾輪軛插銷.....	1
7	07873007	Screw (M6-1×12).....	螺絲.....	1
8	07870323	Washer.....	墊片.....	2
9	07873009	Screw (9/64-40×2.5)	螺絲.....	1
10	07873010	Screw (M4-0.7×6).....	螺絲.....	1
11	07870648	Screw (M5-0.8×5).....	螺絲.....	1
12	07873012	Retaining Ring.....	扣環.....	1
13	07873013	Thrust Ring.....	止推軸環.....	1
14	07873014	Clutch Driving Shaft.....	離合器傳動軸.....	1
15	07873015	Clutch Driving Shaft Bushing (Left).....	離合器傳動軸襯套 (左).....	1
16	07873016	Clutch Driving Shaft Bushing (Right).....	離合器傳動軸襯套 (右).....	1
17	07873017	Clutch Tension Sleeve.....	離合器張力套.....	1
18	07873018	Adjusting Collar.....	調整環.....	1
19	07870648	Screw (M5-0.8×5).....	螺絲.....	2
20	07873020	Clutch.....	驅動離合器.....	2
21	07873021	Clutch Spring Seat.....	離合器彈簧座.....	6
22	07873022	Screw (M5-0.8×12).....	螺絲.....	1
23	07873023	Clutch Tension Spring.....	離合器張力壓簧.....	1
24	07873024	Clutch Driving Lever.....	離合器驅動拉環.....	1
27	07873027	Clutch Roller.....	離合器軸心.....	6
28	07873028	Clutch Spring.....	離合器彈簧.....	12
29	07870502	Screw (M6-1×8).....	螺絲 (尖底).....	1
30	07873030	Clutch, Complete Set.....	離合器組.....	1
31	07873031	Clutch Check Plate.....	離合器擋板.....	1
32	07873032	Screw (9/64-40×8).....	螺絲.....	12
33	07873033	Lower Feed Roller Support , C.Set	下滾輪支架組.....	1
34	07873034	Lower Feed Roller (15 Teeth).....	下滾輪 (15齒).....	1
35	07873035	Corrugated Washer	波形墊片.....	1
36	07873036	Lower Feed Roller Guide.....	下滾輪導桿.....	1
37	07873037	Retaining Ring.....	扣環.....	1
38	07870880	Screw (M3-0.5×3).....	螺絲.....	2
39	07873039	Lower Feed Roller Shaft.....	下滾輪主軸.....	1
40	07873040	Screw (M5-0.8×5).....	螺絲.....	2

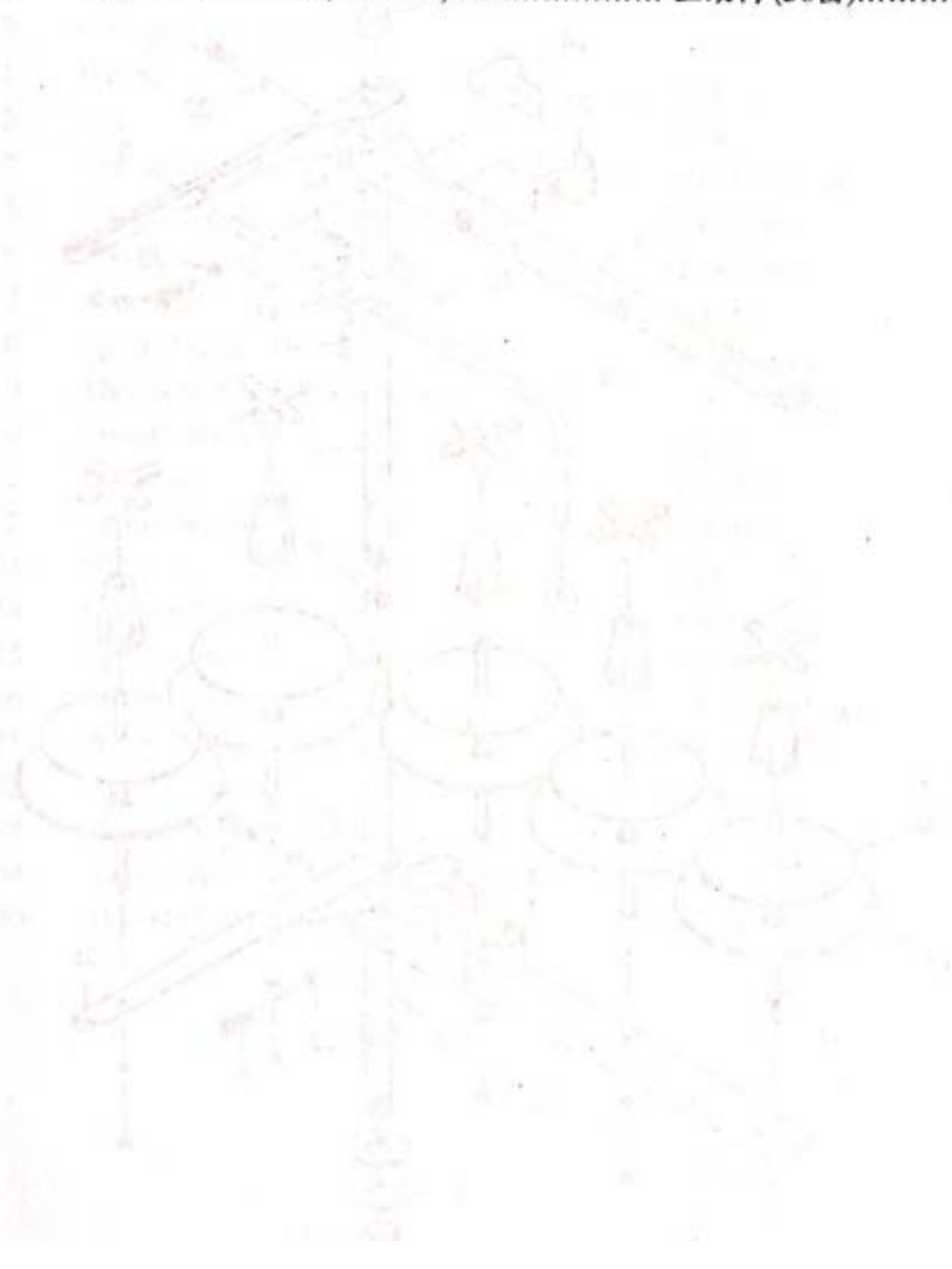


RUBBER ROLLER



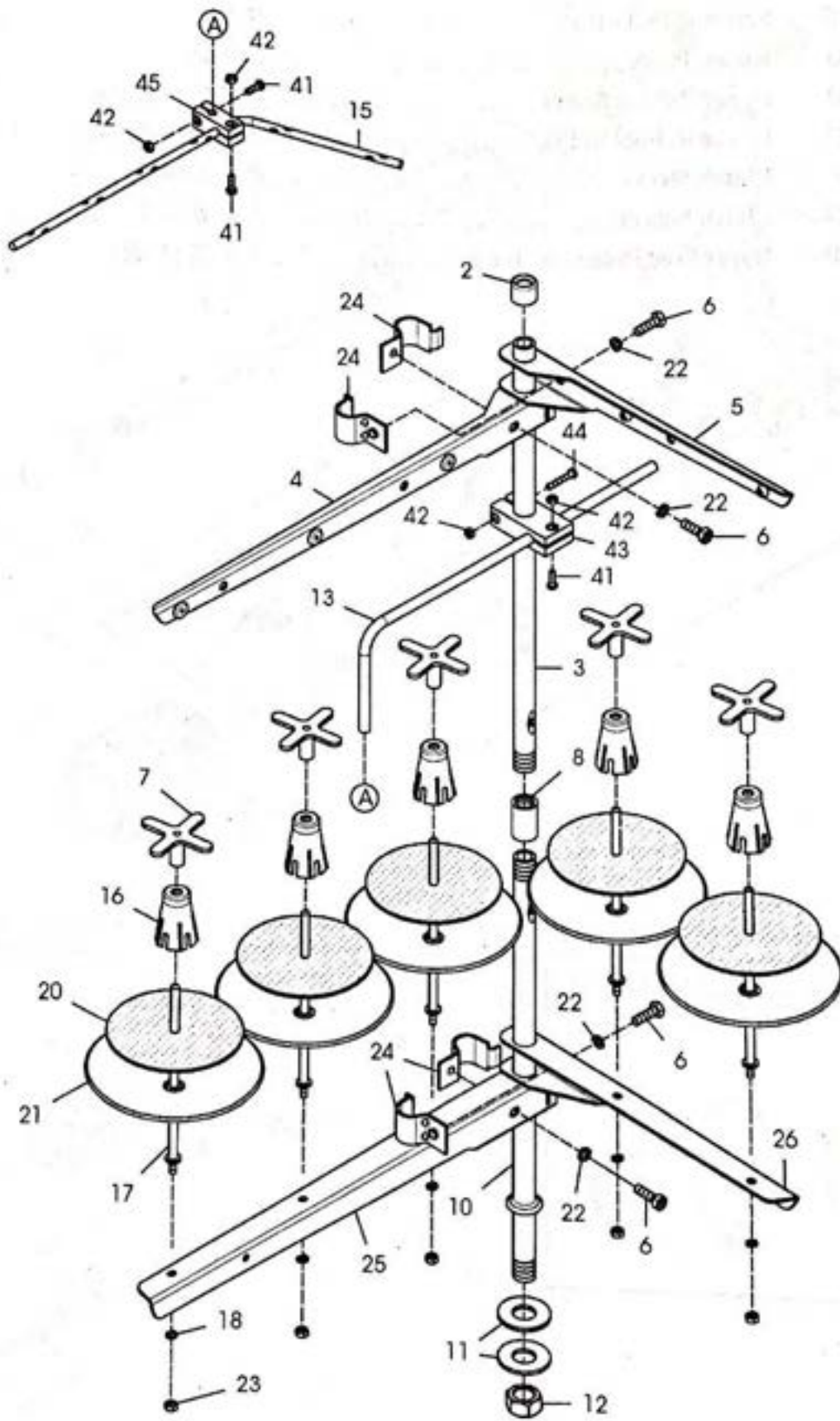
PULLER MECHANISM EXCLUSIVE PARTS (3)**後托引輪機構 (3)****29**

Ref.	Parts			Amt.
<u>No.</u>	<u>No.</u>	<u>Description</u>	<u>品 名</u>	<u>Req.</u>
41	07873041	Lower Feed Roller Bracket.....	下滾輪托架.....	1
42	07870915	Screw (M6-1×16).....	螺絲.....	2
43	07873043	Knock Pin.....	頂出銷.....	2
44	07873044	Upper Rubber Roller.....	上橡膠平面滾輪.....	1
45	07873045	Lower Rubber Roller.....	下橡膠平面滾輪.....	1
46	07873046	Clutch Sleeve.....	離合器襯套.....	1
47	07873047	Clutch Spacer.....	離合器隔片.....	1
48	07873048	Upper Feed Roller (30 Teeth).....	上滾筒 (30齒).....	1



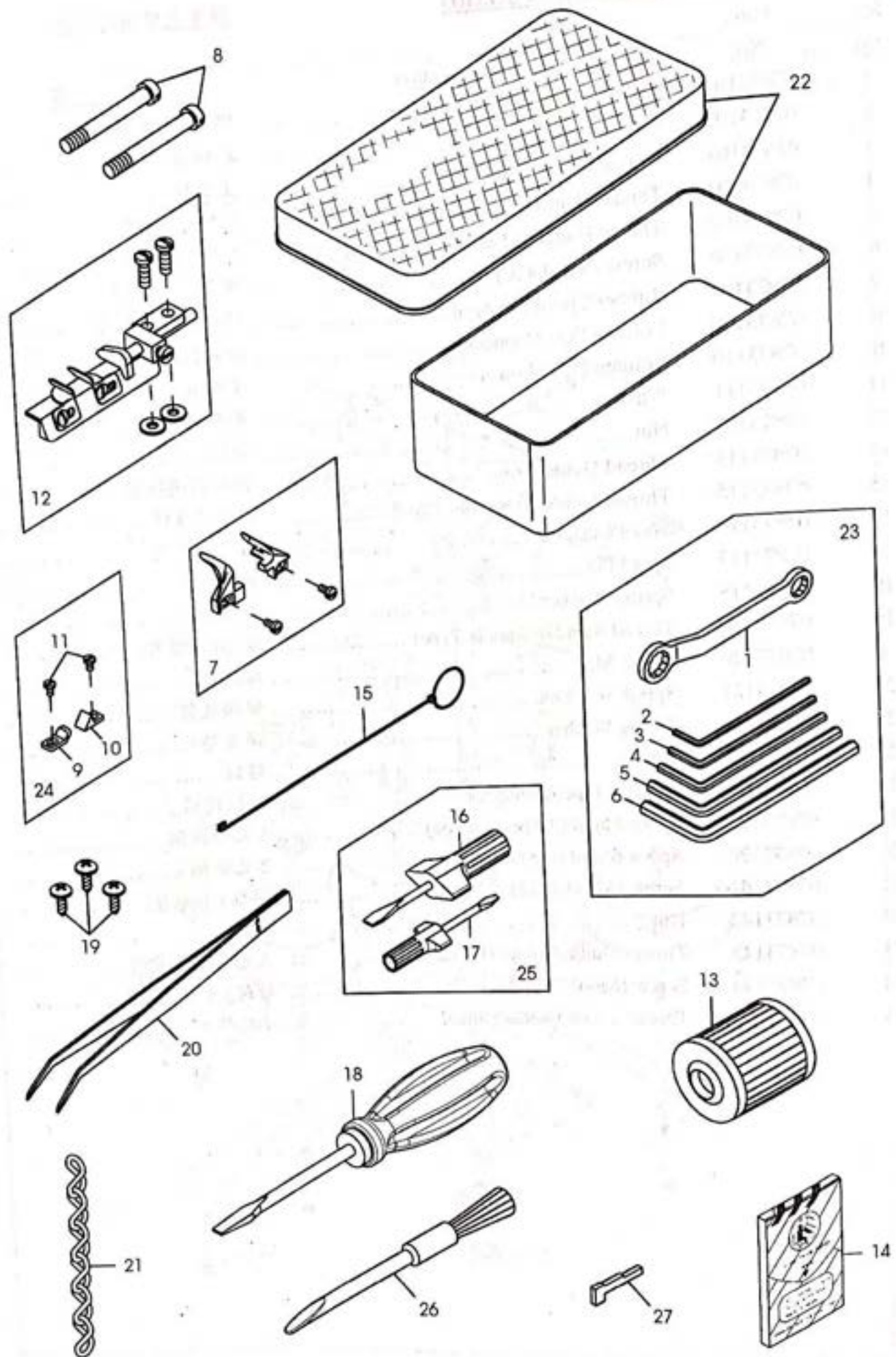
1 (五線用)

19 (六線用)



THREAD STAND & SUPPORTING BOARD**線架及機頭托架組**

Ref. No.	Parts No.	Description	品名	Am Re
1	07873101	Thread Stand (5 Spools Type).....	線架(五線用).....	1
2	07873102	Column Cap.....	柱頭蓋.....	1
3	07873103	Column Pipe (Upper).....	上線柱.....	1
4	07873104	Thread Hanger (3 Spools Type).....	3孔過線吊臂.....	1
5	07873105	Thread Hanger (2 Spools Type).....	2孔過線吊臂.....	1
6	07873106	Screw (M6-1×20).....	螺絲(不單賣).....	4
7	07873107	Rubber Spool Cushion.....	橡膠線軸避震墊.....	5
8	07873108	Column Pipe Connector.....	線柱接頭.....	1
10	07873110	Column Pipe (Lower).....	下線柱.....	1
11	07873111	Washer.....	墊片.....	2
12	07873112	Nut.....	螺帽.....	1
13	07873113	Thread Guide Arm.....	過線桿連接臂.....	1
15	07873115	Thread Guide (6 Spools Type).....	6孔過線桿.....	1
16	07873116	Spool Cushion.....	線軸避震座.....	5
17	07873117	Spool Pin.....	線軸柱.....	5
18	07873118	Spring Washer.....	彈簧墊片.....	5
19	07873119	Thread Stand (6 Spools Type).....	線架(六線用).....	1
20	07873120	Spool Mat.....	線軸墊.....	5
21	07873121	Spool Seat Disc.....	線軸底盤.....	5
22	07873122	Spring Washer.....	彈簧墊片.....	4
23	07873123	Nut.....	螺帽.....	5
24	07873124	Column Pipe Connector.....	線柱接頭.....	4
25	07873125	Spool Stand (3 Spools Type).....	3孔線軸架.....	1
26	07873126	Spool Stand (2 Spool Type).....	2孔線軸架.....	1
41	07873141	Screw (M4-0.7×12).....	螺絲(不單賣).....	3
42	07873142	Nut.....	螺帽.....	4
43	07873143	Thread Guide Holder (Large).....	大過線桿固定座.....	1
44	07873144	Screw (M4-0.7×24.5).....	螺絲(不單賣).....	1
45	07873145	Thread Guide Holder (Small).....	小過線桿固定座.....	1



ATTACHMENT BOX

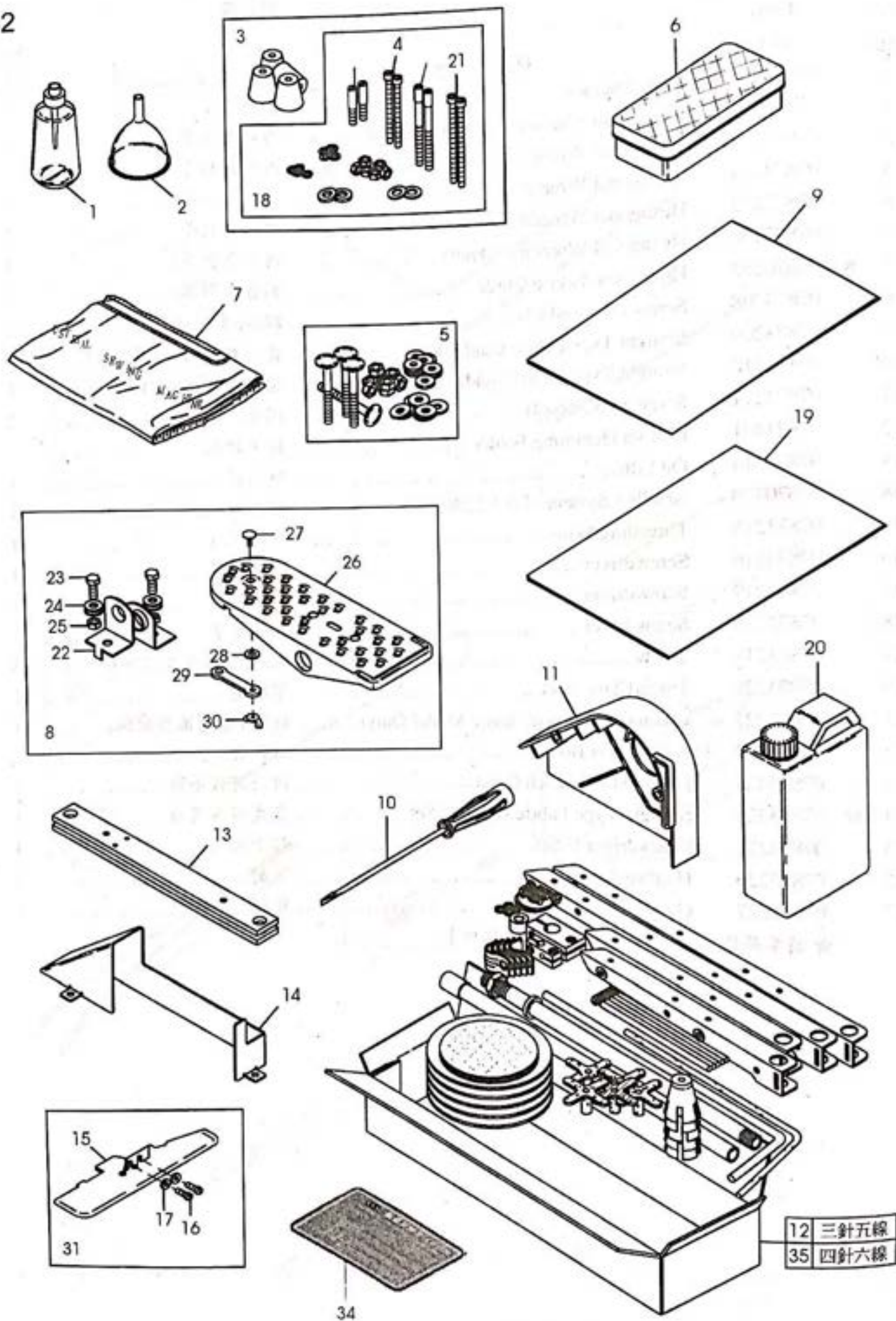
附件盒

21

Amt.

Ref. No.	Parts No.	Description	品名	Req.
1	07873201	Ring Spanner.....	梅花板手.....	1
2	07873202	Hexagonal Wrench (2.0mm).....	內六角板手.....	1
3	07873203	Hexagonal Wrench (2.5mm).....	內六角板手.....	1
4	07873204	Hexagonal Wrench (3.0mm).....	內六角板手.....	1
5	07873205	Hexagonal Wrench (4.0mm).....	內六角板手.....	1
6	07873206	Hexagonal Wrench (5.0mm).....	內六角板手.....	1
7	★ 07870255	Hom Type Fabric Guide	倒骨布導器.....	1
8	07873208	Screw (M6-1x44.5).....	螺絲(普通機型配備).....	2
9	07873209	Straight Type Fabric Guide (Left).....	直式布導器(左).....	1
10	07873210	Straight Type Fabric Guide (Right).....	直式布導器(右).....	1
11	07873211	Screw (3/32-56x4).....	螺絲.....	2
12	07871401	Bottom Hemming Folder.....	折下擺組.....	1
13	07871314	Oil Filter.....	濾油器.....	1
14	07870708	Needle (System : UYX128GAS).....	擊針組.....	1
15	07873215	Threading Wire.....	穿線鐵絲.....	1
16	07873216	Screwdriver.....	螺絲起子.....	1
17	07873217	Screwdriver.....	螺絲起子.....	1
18	07873218	Screwdriver.....	螺絲起子.....	1
19	07873219	Screw	螺絲(普通機型配備).....	3
20	07873220	Thread Tweezers.....	穿線夾.....	1
21	07873221	Chain (Attach With Basic Model Only).....	鏈條(普通機型配備).....	1
22	07873222	Attachment Box.....	附件盒.....	1
23	07873423	Hexagonal Wrench C.Set.....	內六角板手組.....	1
24	★ 07873224	Straight Type Fabric Guide C.Set.....	直式布導器組.....	1
25	07873225	Screwdriver C.Set.....	起子組.....	1
26	07873226	Hairbrush.....	毛刷.....	1
27	07873227	Gage,Sheet.....	定規.....	1

★請參照附件一、附件二【標準規格件】

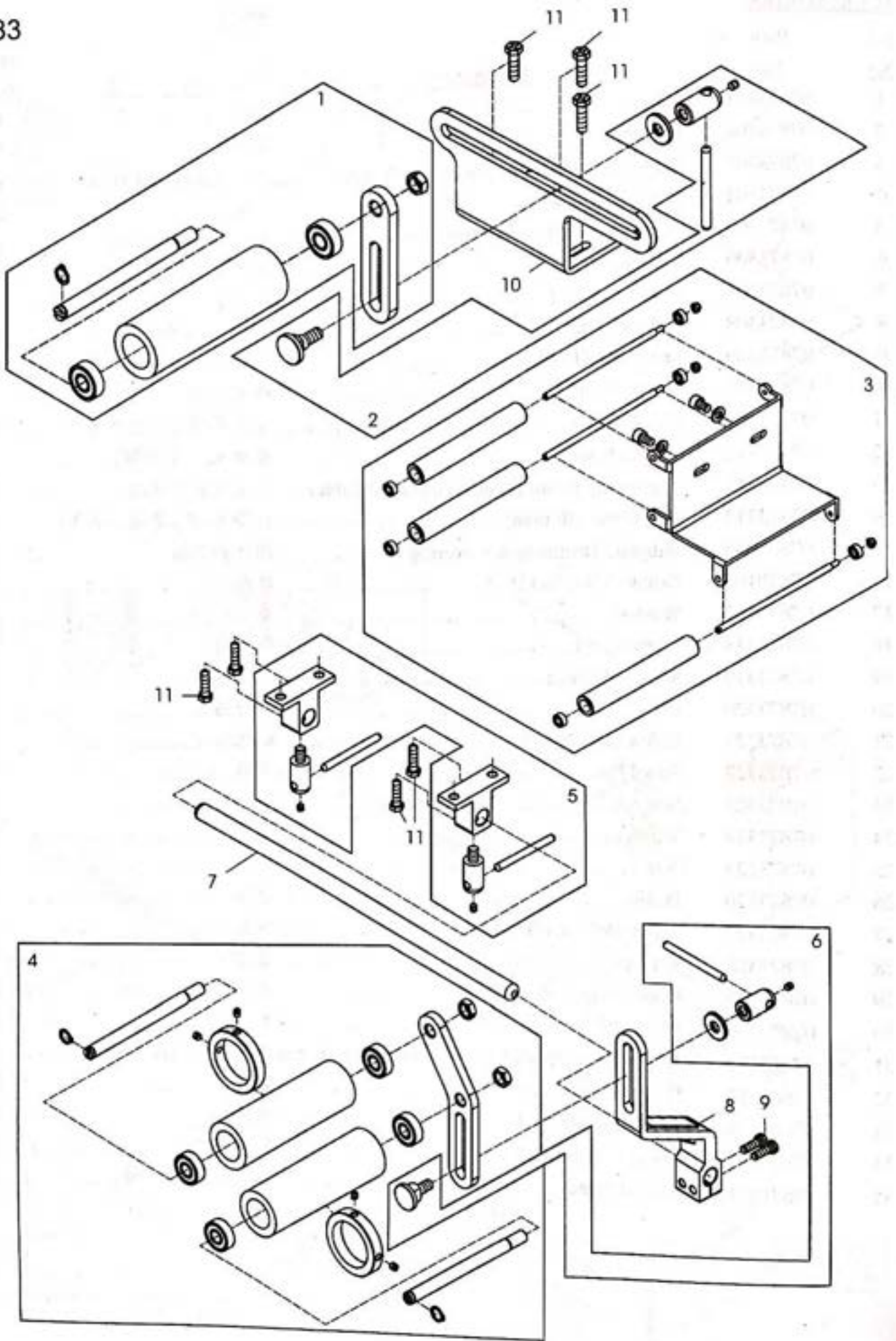


12	三針五線
35	四針六線

ACCESSORIES附配件

32

Ref.	Parts			Amt.
<u>No.</u>	<u>No.</u>	<u>Description</u>	<u>品 名</u>	<u>Req.</u>
1	07873301	Oiler.....	油壺.....	1
2	07873302	Funnel.....	漏斗.....	1
3	07873303	Oil Reservoir Rubber Cushion C.Set.....	底座避震膠墊螺絲組.....	1
4	07873304	Screw (M6-1x80)	螺絲.....	2
5	07873305	Semi - Submerged Hanging Bolt C.Set	半沉式吊架螺栓組.....	1
6	07873306	Attachment Box.....	附件盒.....	1
7	07873307	Machine Cover.....	防塵罩.....	1
8	07873308	Pedal C. Set.....	腳踏板組(普通車專用).....	1
9	07873309	Spare Parts Book.....	零件圖.....	1
10	07873310	Screwdriver.....	螺絲起子.....	1
11	07873127	Belt Cover (Comon).....	皮帶蓋(上)(普通車專用).....	1
12	07873312	Thread Stand.....	線架組(三針五線).....	1
13	07873313	Supporting Board (Semi-Submerged Table).....	半沉式底座托架.....	2
14	07873314	Belt Cover (Bottom).....	皮帶蓋(下)(普通車專用).....	1
15	07873315	Subplate Hemming & Covering	標準輔助板.....	1
16	07870102	Screw (M4-0.7x12)	螺絲.....	2
17	07873317	Washer.....	墊片.....	2
18	07873318	Screw C.Set.....	螺絲組.....	1
19	07873319	Service Manual.....	維修手冊.....	1
20	07873320	Oil.....	潤滑油.....	1
21	07873321	Screw (M6-1x100)	螺絲.....	2
22	07873322	Spool Pin.....	支架.....	2
23	07873323	Screw.....	螺絲.....	2
24	07873324	Washer.....	墊片.....	4
25	07873325	Nut.....	螺帽.....	2
26	07873326	Pedal.....	踏板.....	1
27	07873327	Screw (M6-1x14).....	螺絲.....	1
28	07873328	Washer.....	墊片.....	1
29	07873329	Connecting Rod.....	連接桿.....	1
30	07873330	Wing Nut.....	翼形螺帽.....	1
31	07873331	Q Device Subplate Hemming&Covering C.Set	標準喇叭包邊輔助板組.....	1
32	07803332	Screw (M6-1x34)	螺絲.....	2
33	07803333	Screw (M6-1x15)	螺絲.....	2
34	07873334	Products Guarantee.....	服務保證卡.....	1
35	07873335	Thread Stand.....	線架組(四針六線).....	1

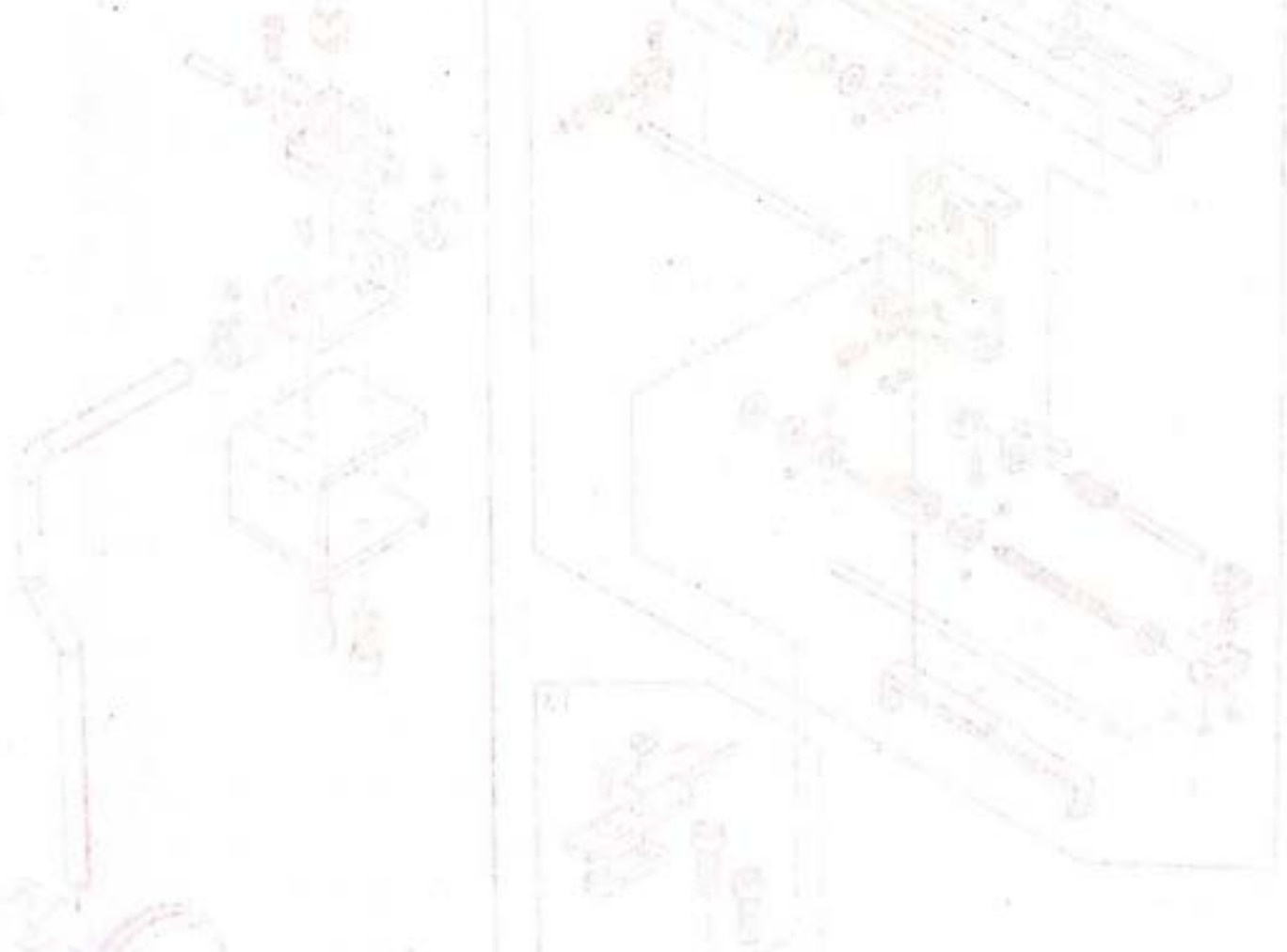


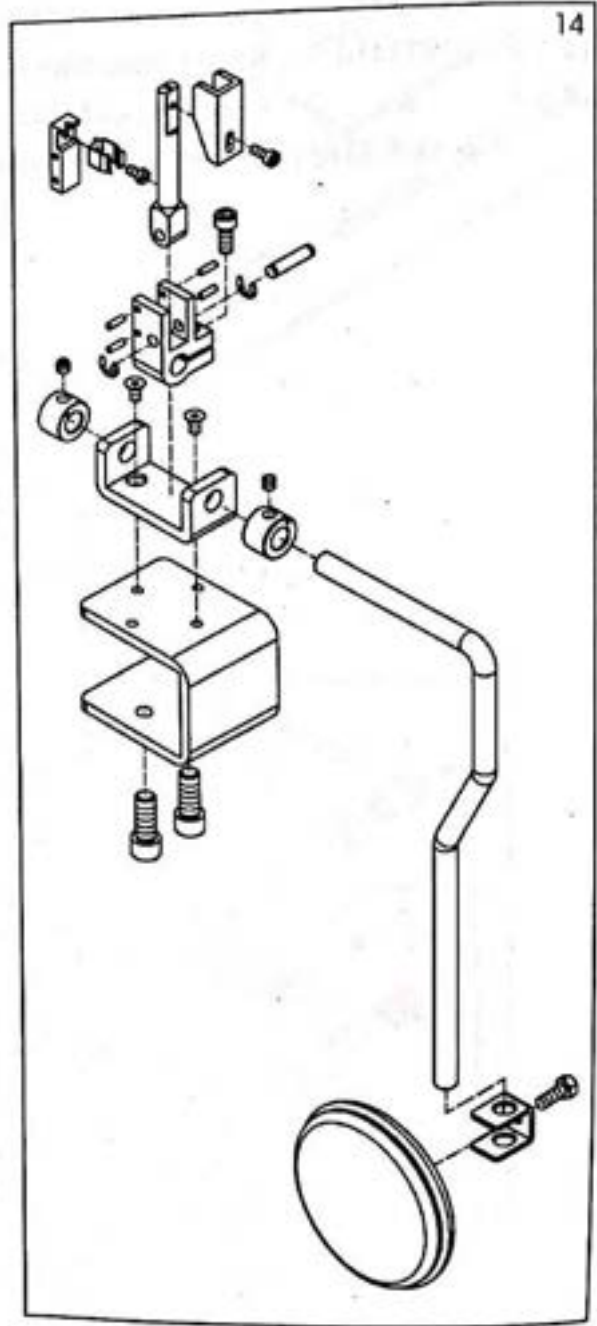
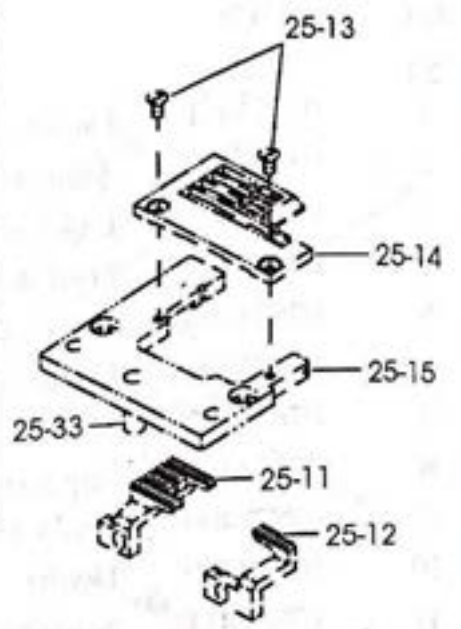
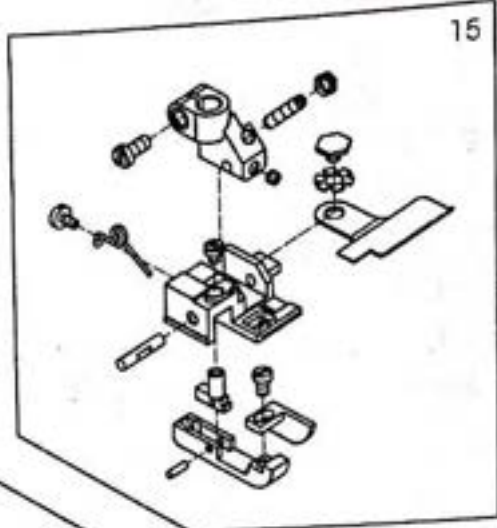
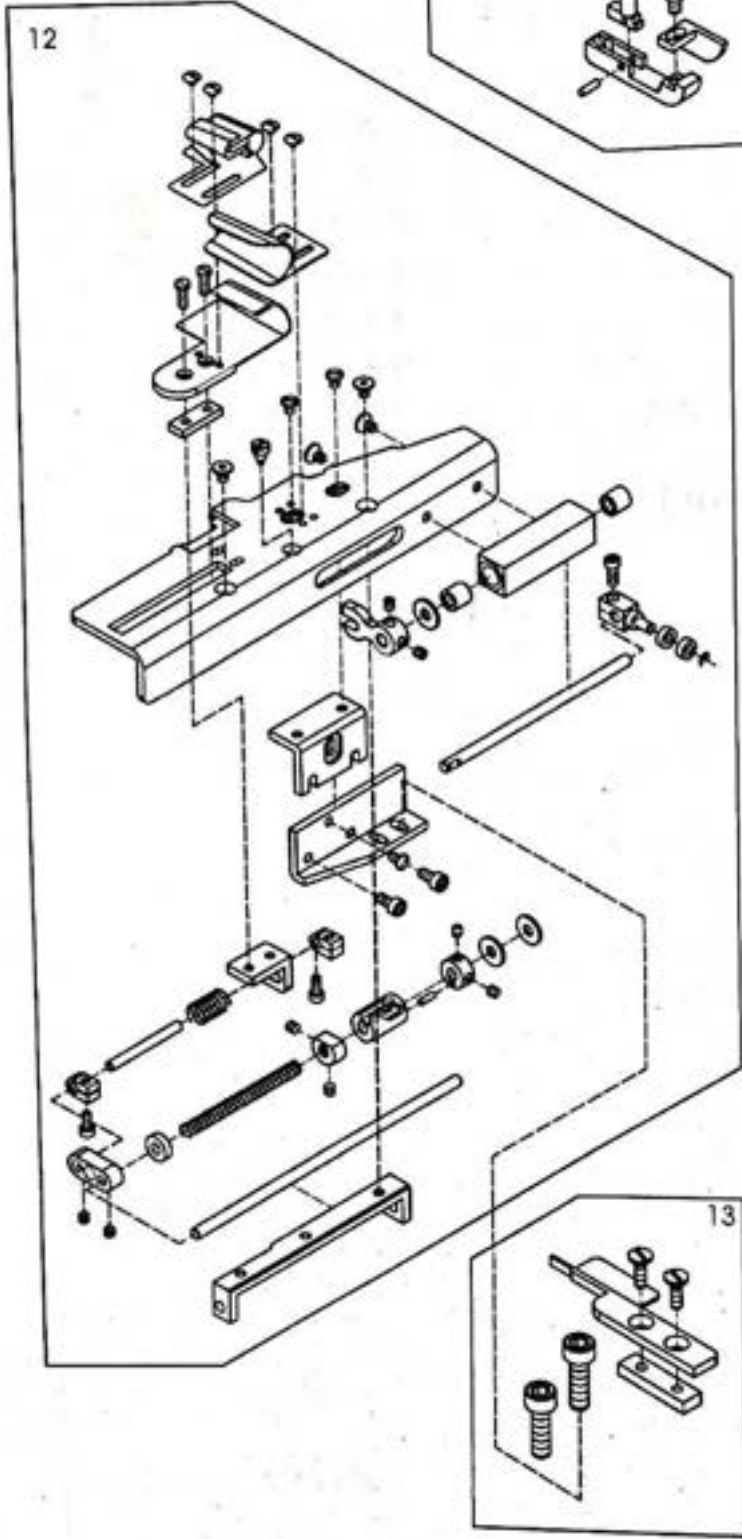
TUBULAR ELASTIC WAIST BAND ATTACHMENT

褲頭包縫裝置

Ref.	Parts		
No.	No.	Description	品名
1	07873401	Feed Roller C.Set.....	滾輪組.....
2	07873402	Adjusting Handel C.Set.....	調整手把組.....
3	07873403	Lap Former Roller .C.Set.....	導布輪組.....
4	07873404	Feed Roller C.Set.....	滾輪組.....
5	07873405	Holder C.Set.....	固定座組.....
6	07873406	Handel C.Set.....	手把組.....
7	07873407	Shaft.....	軸.....
8	07873408	Support.....	支撐架.....
9	07873409	Screw (M6-1×16).....	螺絲.....
10	07873410	Holder.....	固定座.....
11	07873411	Screw (六角十字1/4-1).....	自攻螺絲.....
12	07873412	Lap Former .C.Set.....	導布組.....
13	07873413	Lap Former .C.Set.....	導布組.....
14	07873414	Knee Connecting Rod .C.Set.....	膝動連桿組.....
15	★	Presser Foot C.Set.....	押腳組.....

★ 請參照附件一、附件二【標準規格件】

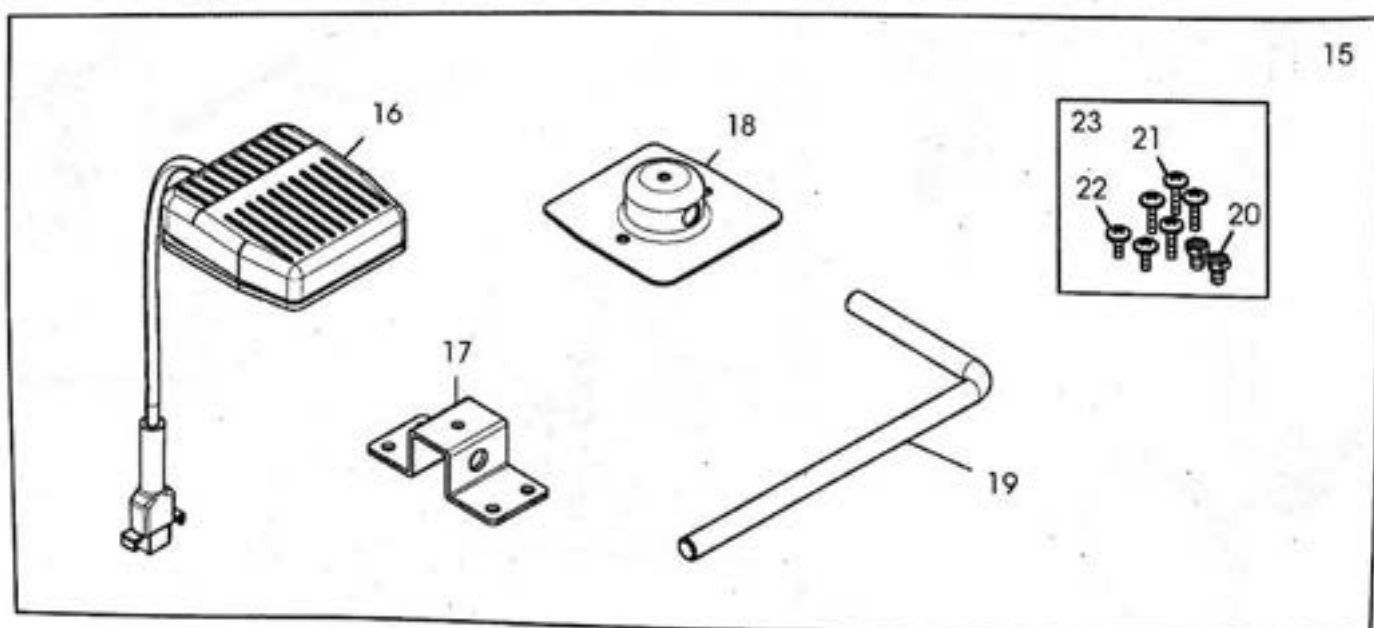
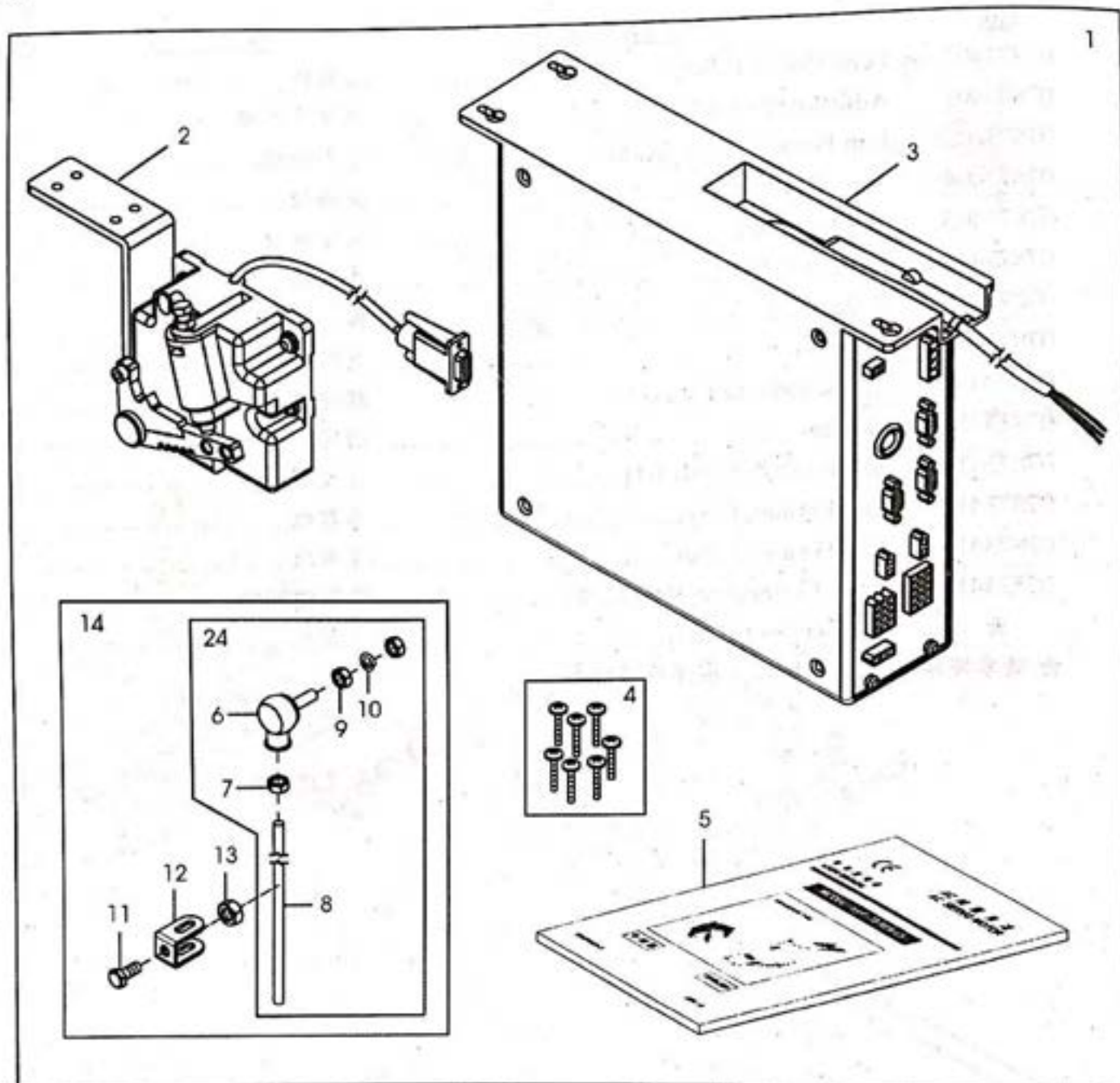




TUBULAR ELASTIC WAIST BAND ATTACHMENT**褲頭包縫裝置****33**

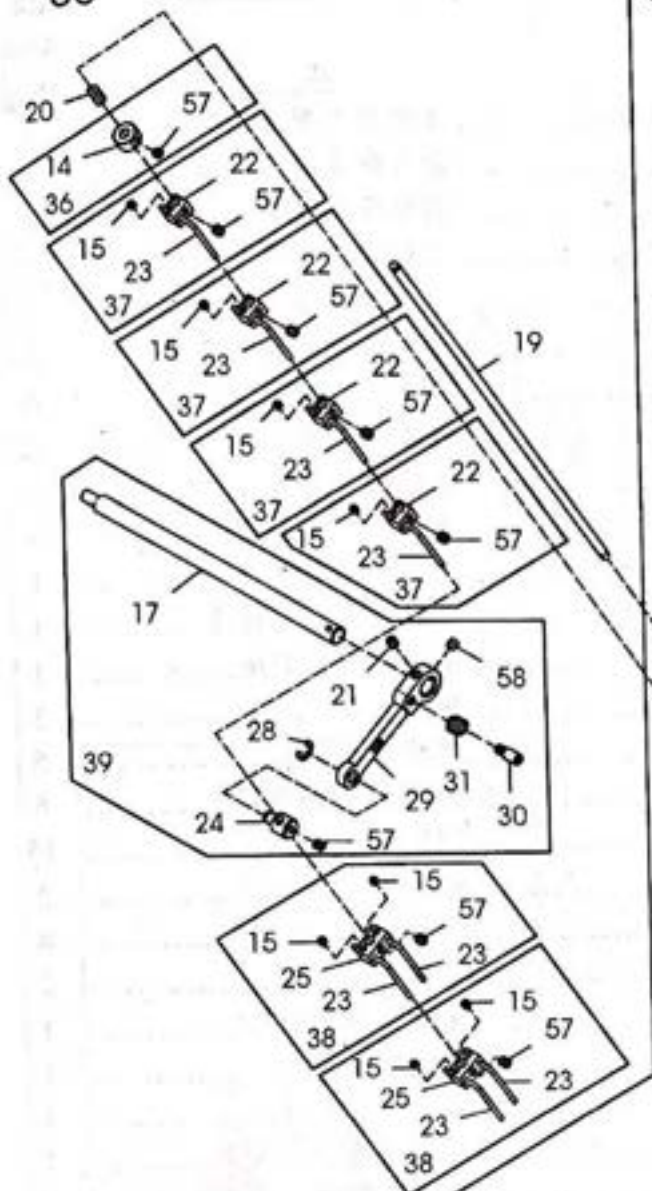
Ref.	Parts			Amt.
<u>No.</u>	<u>No.</u>	<u>Description</u>	<u>品 名</u>	<u>Req.</u>
1	07873401	Feed Roller C.Set.....	滾輪組.....	1
2	07873402	Adjusting Handel C.Set.....	調整手把組.....	1
3	07873403	Lap Former Roller .C.Set.....	導布輪組.....	1
4	07873404	Feed Roller C.Set.....	滾輪組.....	1
5	07873405	Holder C.Set.....	固定座組.....	1
6	07873406	Handel C.Set.....	手把組.....	1
7	07873407	Shaft.....	軸.....	1
8	07873408	Support.....	支撐架.....	1
9	07873409	Screw (M6-1×16).....	螺絲.....	2
10	07873410	Holder.....	固定座.....	1
11	07873411	Screw (六角十字1/4-1).....	自攻螺絲.....	7
12	07873412	Lap Former .C.Set.....	導布組.....	1
13	07873413	Lap Former .C.Set.....	導布組.....	1
14	07873414	Knee Connecting Rod .C.Set.....	膝動連桿組.....	1
15	★	Presser Foot C.Set.....	押腳組.....	1

★請參照附件一、附件二【標準規格件】

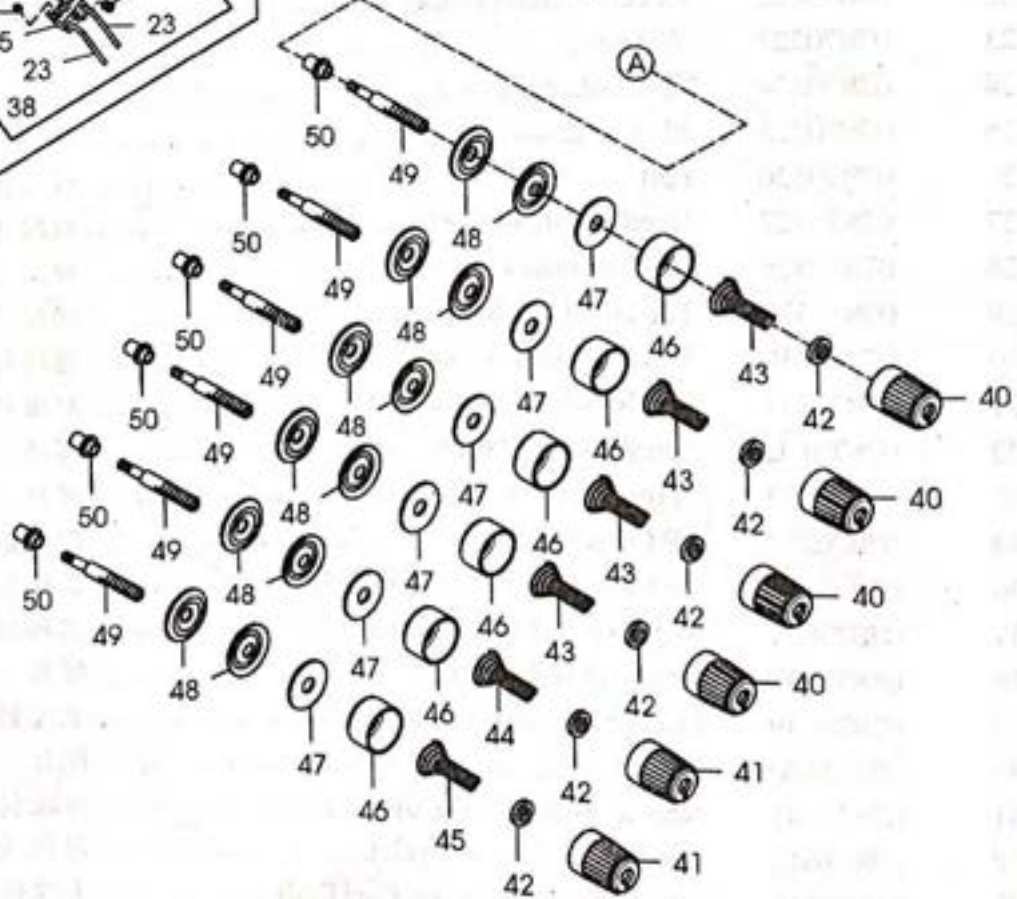
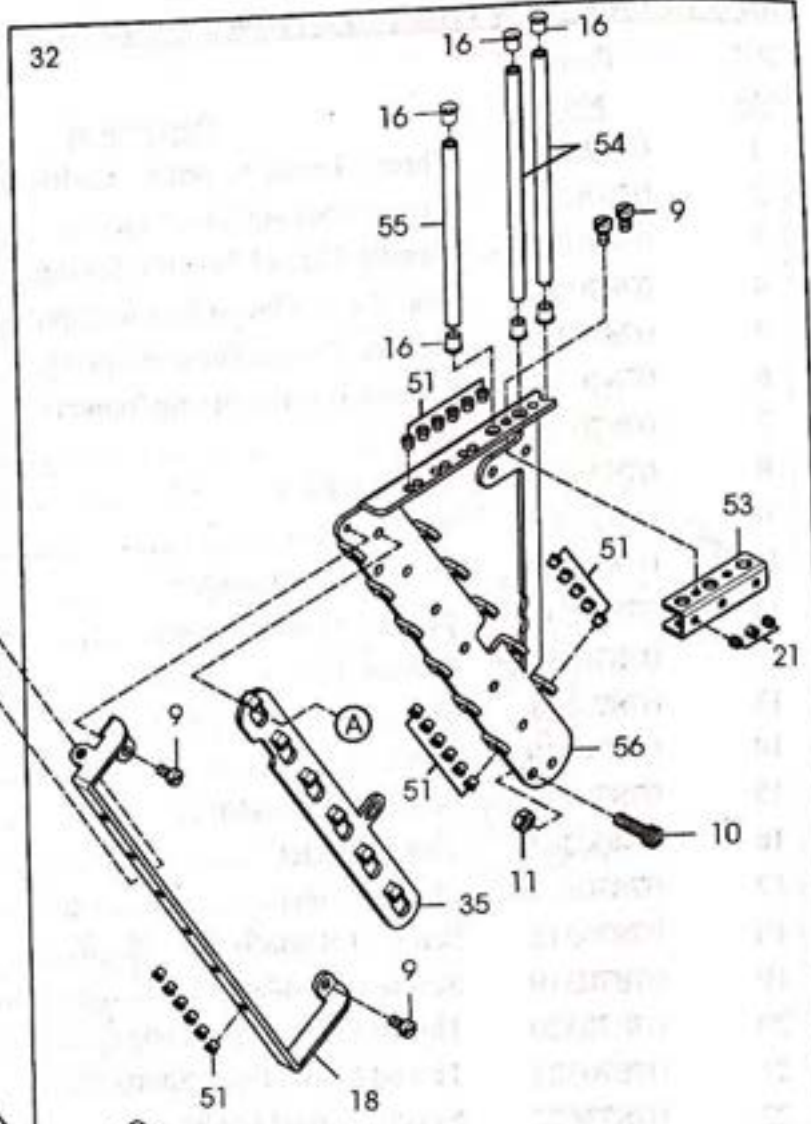


Ref.	Parts			Amt.
No.	No.	Description	品名	Req.
1	07870301	Thread Tension Spring Cap(Blue).....	上線張力彈簧調整鈕(藍)....	4
2	07870302	Tension Spring Disc Support.....	張力彈簧調整圓盤.....	6
3	07870303	Needle Thread Tension Spring.....	針線張力彈簧.....	4
4	07870304	Top Cover Thread Tension Spring.....	上飾線張力彈簧.....	1
5	07870305	Looper Thread Tension Spring.....	下勾針張力彈簧.....	1
6	07870306	Thread Tension Spring Retainer.....	上線張力彈簧固定座.....	6
7	07870307	Felt.....	氈墊.....	6
8	07870308	Tension Disc.....	張力調整盤.....	12
9	07870309	Tension Post.....	上線張力彈簧支柱.....	6
10	07870310	Tension Post Ferrule.....	上線張力彈簧支柱套圈.....	6
11	07870311	Tension Disc Separator.....	上線張力圓盤分離器.....	1
12	07870312	Tension Post Support.....	上線張力紐支柱座.....	1
13	07873613	Thread Eyelet Pipe Stay.....	過線導管固定座.....	1
14	07870229	Screw (M4-0.7x4).....	螺絲.....	3
15	07870125	Screw (M4-0.7x8).....	螺絲.....	5
16	07400383	Thread Eyelet.....	過線陶瓷(深灰).....	6
17	07870317	Thread Eyelet.....	陶瓷過線孔.....	15
18	07870318	Screw (1/8-44x5).....	螺絲.....	2
19	07870319	Screw (1/8-44x3).....	螺絲.....	4
20	07870320	Thread Eyelet Pipe (Long).....	過線導管(長).....	2
21	07870321	Thread Eyelet Pipe (Short).....	過線導管(短).....	1
22	07873622	Needle Thread Eyelet.....	過線導片.....	1
23	07870323	Washer.....	墊片.....	1
24	07870324	SP Container Cover.....	矽油槽蓋.....	1
25	07870325	SP Container.....	矽油儲存槽.....	1
26	07870326	Felt.....	吸油氈.....	1
27	07870327	Needle Thread Eyelet.....	針線過線架.....	1
28	07870328	SP Container Cover Pin.....	矽油槽蓋固定插銷.....	2
29	07870329	Thread Eyelet Support.....	過線桿固定座.....	1
30	07870330	Thread Eyelet (Front).....	過線桿.....	4
31	07873631	SP Device, Complete Set.....	針線矽油組.....	1
32	07870102	Screw (M4-0.7x12).....	螺絲.....	2
33	07870333	Screw (9/64-40x7).....	螺絲.....	2
34	07870334	SP Container C.Set.....	矽油儲存槽組件.....	1
36	07873636	Tension Post Support C.Set.....	上線張力支柱座組件.....	1
37	07873637	Top Cover Thread Guide.....	上飾線導板.....	1
38	07873638	Screw (M4-0.7x4).....	螺絲.....	1
39	07873639	Looper Thread Eyelet.....	底線輔助導板.....	1
40	07873640	Spacer.....	隔片.....	1
41	07873641	Needle Thread Take-up.....	針線提線過線桿.....	1
42	07873642	Needle Bar Thread Eyelet.....	針柱頂過線桿.....	1
43	07870343	Thread Tension Spring Cap(Red).....	上線張力彈簧調整鈕(紅)....	2
44	07873644	Tension Post Support.....	上線張力支柱座.....	1

36

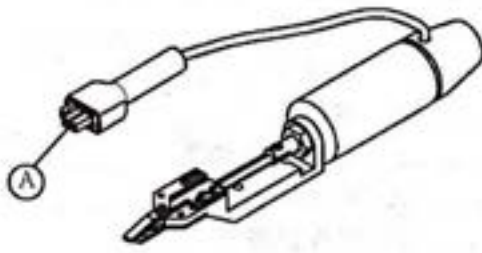


32

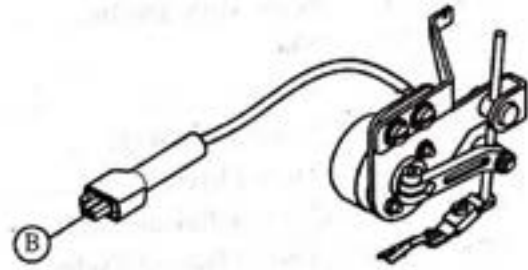


Ref. No.	Parts No.	Description	品名	Amt. Req.
9	07870125	Screw (M4-0.7x8).....	螺絲.....	4
10	30000911	Screw (M5-0.8x18).....	螺絲.....	1
11	07871028	Nut.....	螺帽.....	1
14	07871514	Collar.....	軸環.....	1
15	07870319	Screw (1/8-44x3).....	螺絲.....	8
16	07400383	Thread Eyelet.....	過線陶瓷(深灰).....	6
17	07871517	Tension Release Shaft.....	張力釋放轉軸.....	1
18	07871518	Thread Pull-off Eyelet.....	過線鬆線架.....	1
19	07871519	Thread Pull-off Bar.....	過線鬆線桿.....	1
20	07871520	Swing-Proof Spring.....	防震彈簧.....	1
21	07870229	Screw (M4-0.7x4).....	螺絲.....	4
22	07871522	Thread Pull-off Hook Unit (One Hook).....	鬆線鉤組(單腳).....	4
23	07871523	Hook.....	鬆線鉤.....	8
24	07871524	Thread Pull-off Bar Holder.....	過線鬆線桿固定座.....	1
25	07871525	Thread Pull-off Hook Unit (Double Hook).....	鬆線鉤組(雙腳).....	2
28	07871528	Retaining Ring.....	扣環.....	1
29	07871529	Thread Pull-off Lever.....	過線鬆線拉柄.....	1
30	07871530	Tension Release Adjusting Eccentric.....	張力釋放調整偏心輪.....	1
31	07871531	Spring.....	彈簧.....	1
32	07871532	Thread Eyelet Tension C.Set.....	過線張力組.....	1
35	07871535	Tension Disc Separator.....	過線張力盤分離架.....	1
36	07871536	Collor C.Set.....	軸環組.....	1
37	07871537	Hook C.Set.....	鬆線鉤組.....	4
38	07871538	Hook C.Set.....	鬆線鉤組.....	2
39	07871539	Pull-Off Handle C.Set.....	鬆線拉柄組.....	1
40	07870301	Thread Tension Spring Cap (Blue).....	上線張力彈簧調整鈕(藍)....	4
41	07870343	Thread Tension Spring Cap (Red).....	上線張力彈簧調整鈕(紅)....	2
42	07870302	Tension Spring Disc Support.....	張力彈簧調整圓盤.....	6
43	07870303	Needle Thread Tension Spring.....	針線張力彈簧.....	4
44	07870304	Top Cover Thread Tension Spring.....	上飾線張力彈簧.....	1
45	07870305	Looper Thread Tension Spring.....	下勾針張力彈簧.....	1
46	07870306	Thread Tension Spring Retainer.....	上線張力彈簧固定座.....	6
47	07870307	Felt.....	氈墊.....	6
48	07870308	Tension Disc.....	張力調整盤.....	12
49	07870309	Tension Post.....	上線張力彈簧支柱.....	6
50	07870310	Tension Post Ferrule.....	上線張力彈簧支柱套圈.....	6
51	07870317	Thread Eyelet.....	陶瓷過線孔.....	23
53	07870313	Thread Eyelet Pipe Stay.....	過線導管固定座.....	1
54	07870320	Thread Eyelet Pipe (Long).....	過線導管(長).....	2
55	07870321	Thread Eyelet Pipe (Short).....	過線導管(短).....	1
56	07870312	Tension Post Support.....	上線張力組支柱座.....	1
57	07871557	Screw (M4-0.7x3).....	螺絲.....	8
58	07871558	Screw (M4-0.7x4.5).....	螺絲.....	1

07871738



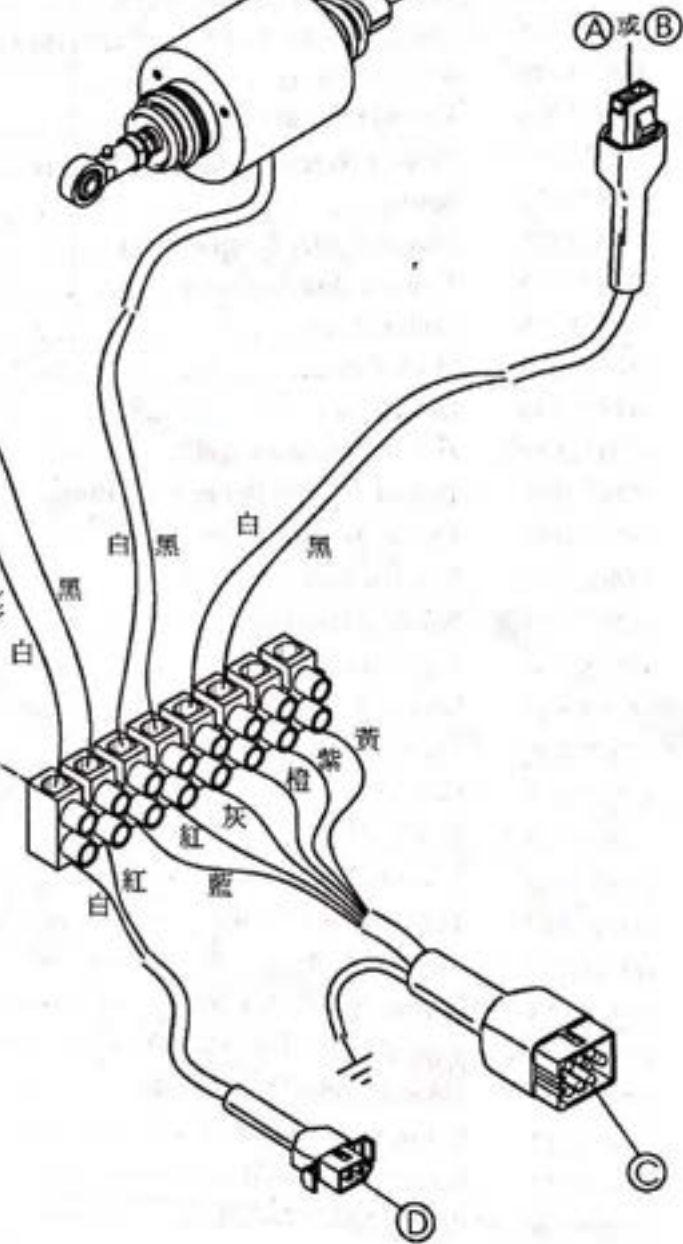
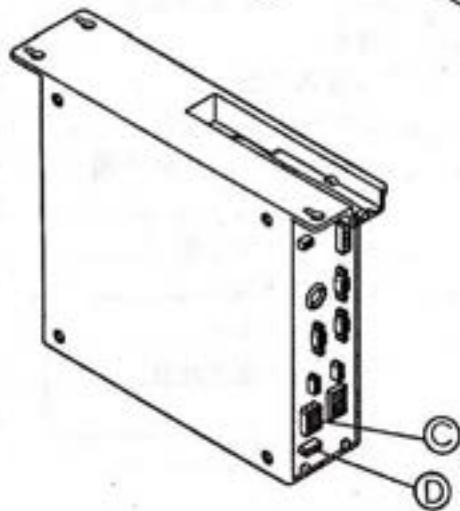
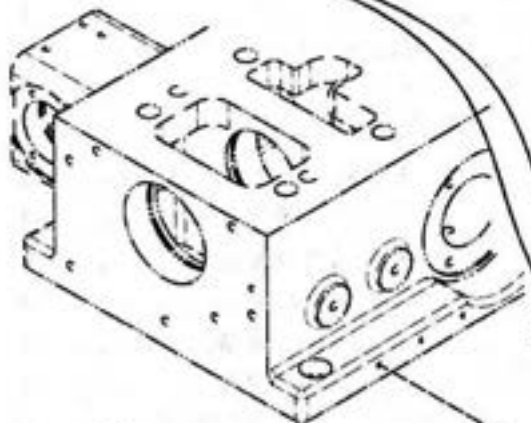
07871718



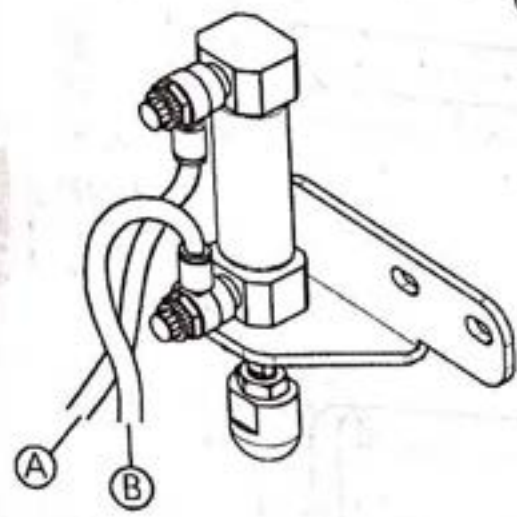
07871909



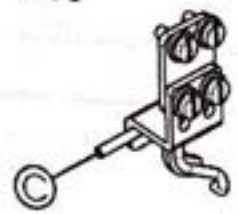
07872107



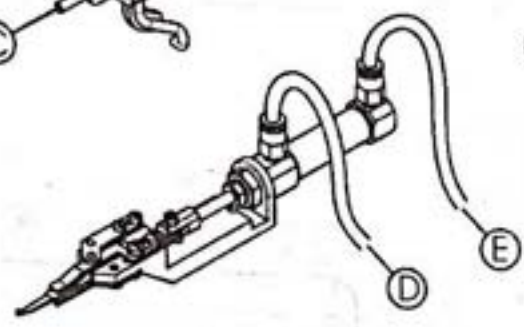
07872006



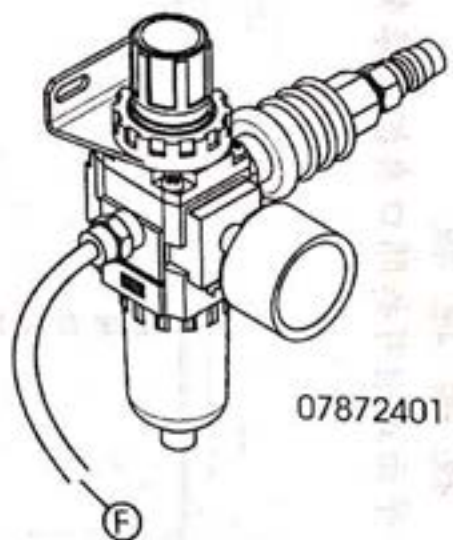
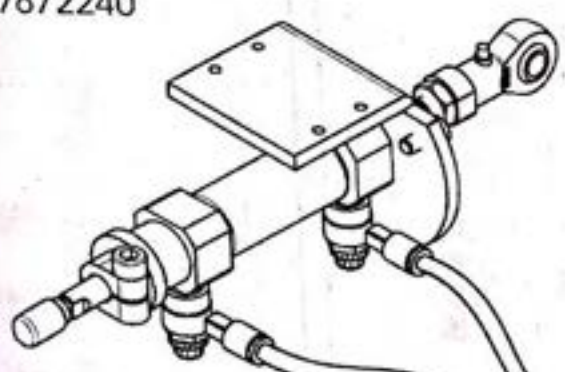
07871805



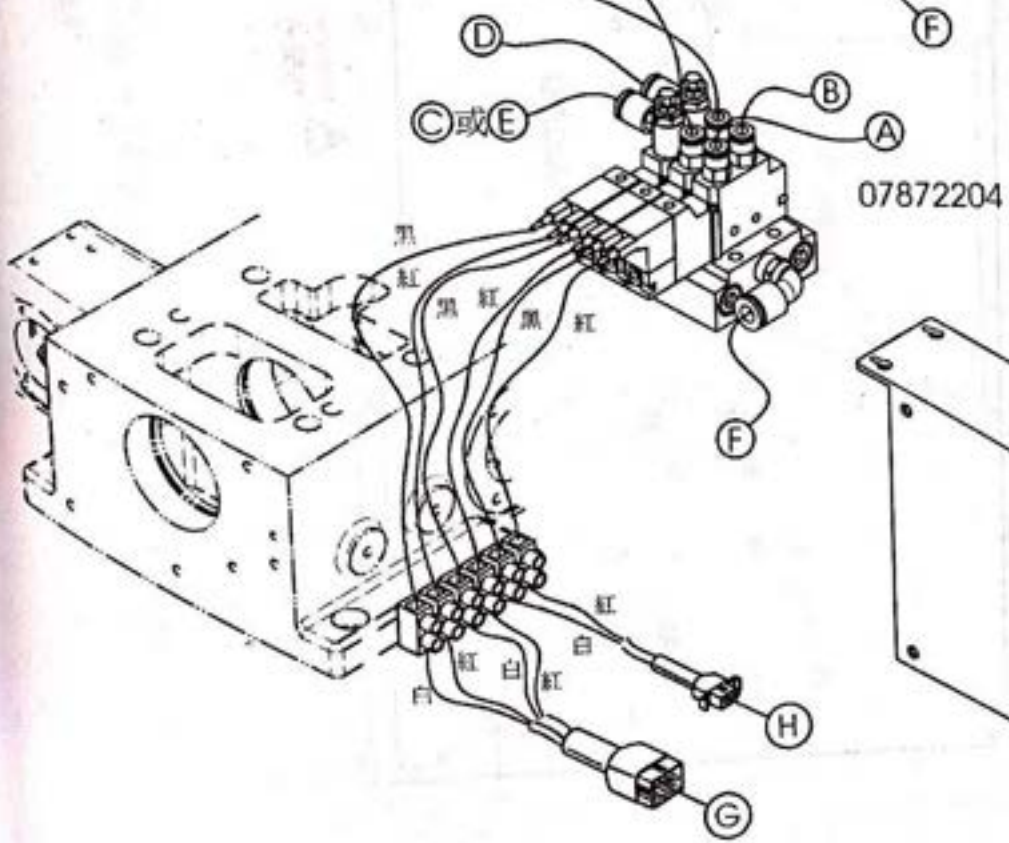
07871811



07872240



07872401



07872204

